

ROUTE NO.	SECTION	COUNTY	TOTAL SHEETS	SHEET NO.
FAS 447	*	Fulton	43	15
FED. ROAD DIST. NO. 7	ILLINOIS	FED. AID PROJECT		

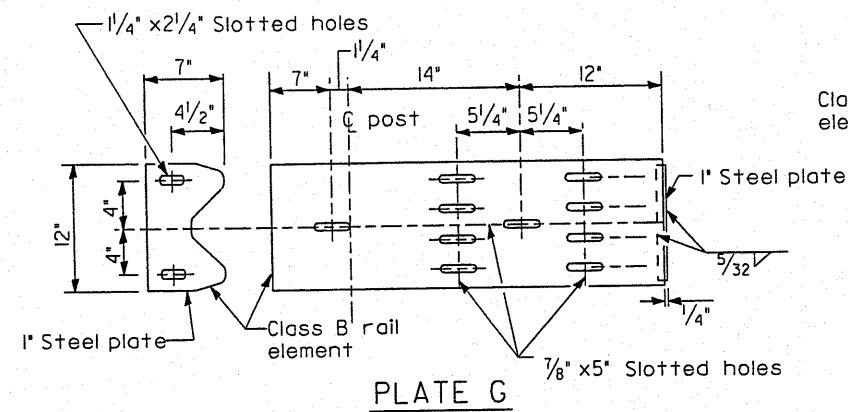


PLATE G

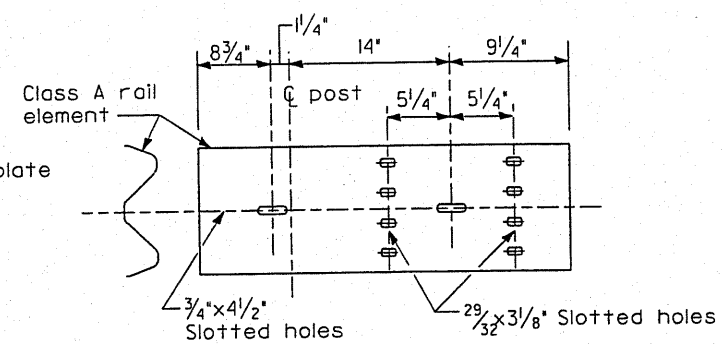


PLATE E

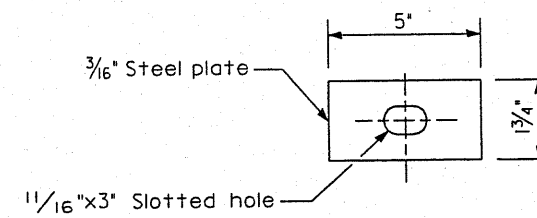


PLATE WASHER F

NOTE: Plate washer F shall be used on type A guardrail only where specified.

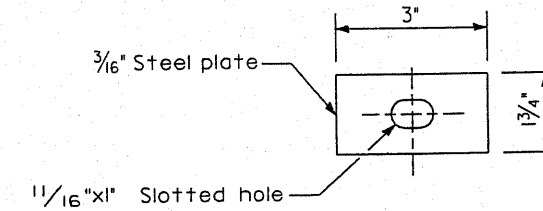
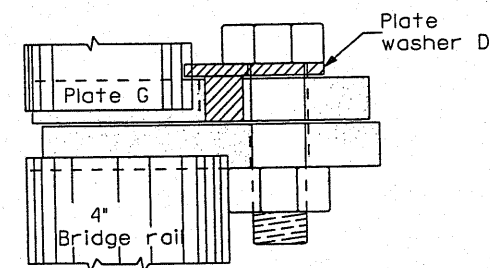


PLATE WASHER H

NOTE: Plate washer H shall be used at all other locations where rail element is bolted to a block-out unless otherwise noted.



PLACEMENT OF PLATE WASHER D
(PLAN)

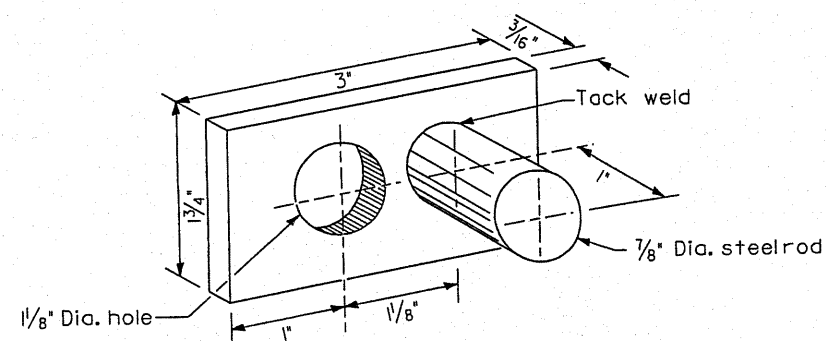


PLATE WASHER D

BILL OF MATERIAL

ITEM	UNIT	QTY
Guardrail Removal	Foot	160
Steel Plate Beam Guardrail, Type A	Foot	900
Traffic Barrier Terminal, Type 5A	Each	4
Steel Plate Beam Guardrail, Short Radius	Foot	80
Traffic Barrier Terminal, Type 1	Each	3
Traffic Barrier Terminal, Type 2	Each	3

GENERAL NOTES

Install plate washer D so that the 1" projection fills the remainder of the slotted holes in the 1" end plate on plate G after the 1" dia. bolts are in place.

* Bolts shall be provided with locknut or double nut and shall be tightened only to a point that will allow plate G to be free to move when an expansion joint exists below the connector.

The face of the guardrail shall be installed flush with the face of the bridge rail.

Traffic Barrier Terminal, Type 5A shall transition in height up to meet the top rail of the bridge rail.

Steel Plate Beam Guardrail, Type A shall transition in height to meet the Traffic Barrier Terminal, Type 5A.

All posts shall be 9 ft. long.

Use this sheet in conjunction with Standards 630001-08, 631011-05, and BLR23-3.

DSGN	K.J. Hoffmann				
DR	K.J. Hoffmann				
CHK	J.A. Fraenhoffer				
APVD	J.A. Fraenhoffer	NO.	DATE	REVISION	BY

FRAUENHOFFER
Frauenhoffer and Associates, P.C. Consulting Engineers
3002 Crossing Court Champaign, IL 61822 217-351-6268

GUARDRAIL & TERMINALS - SHEET 2 OF 2
FAS 447 (C.H. 17) OVER SPOON RIVER
SECTION 08-00121-01-BR
FULTON COUNTY

SHEET	15
DWG NO.	RAIL.dgn
DATE	JAN 2010
PROJ NO.	8015