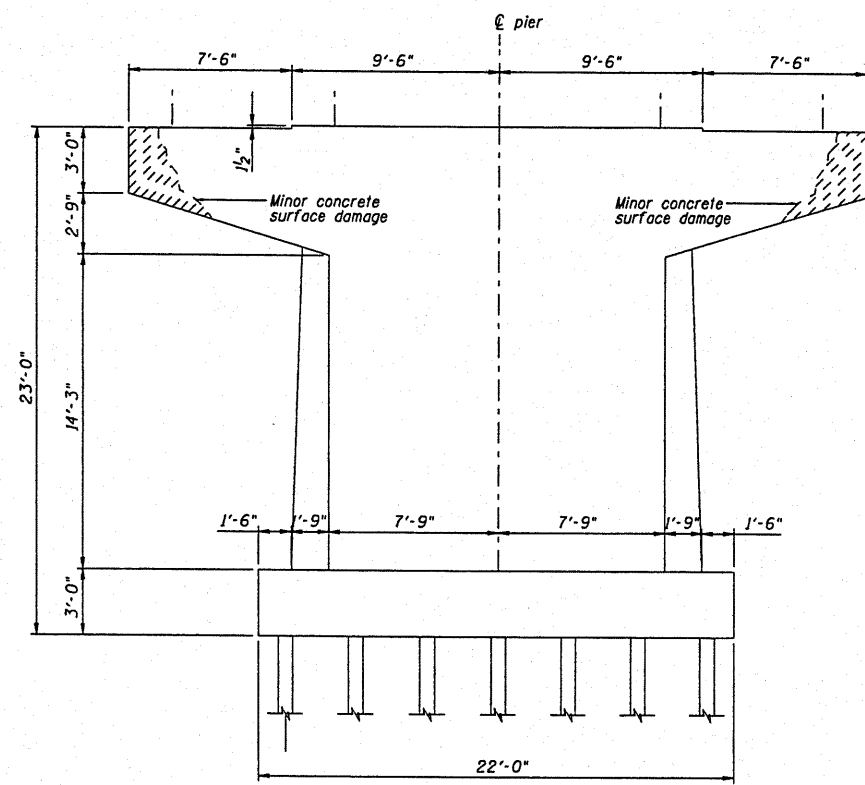
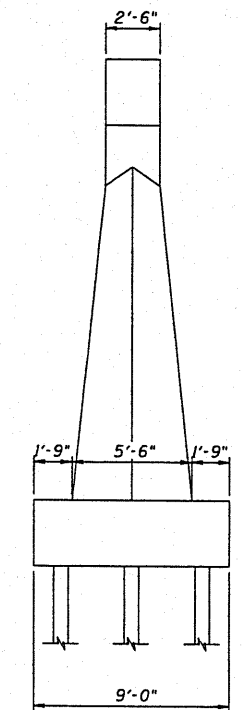
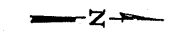


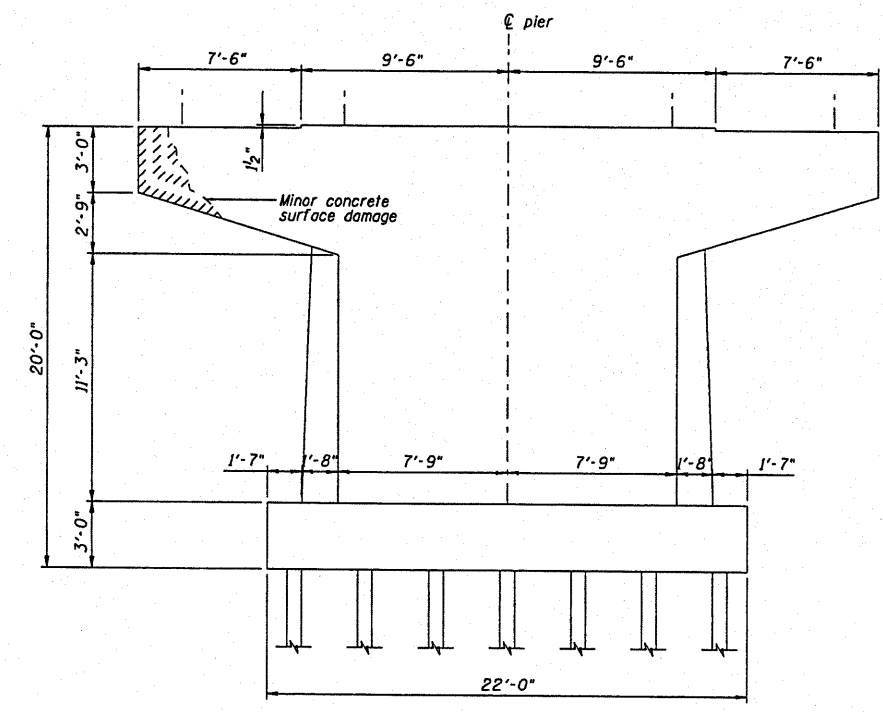
ROUTE NO.	SECTION	COUNTY	SHEET NO.	TOTAL SHEETS
FAS 447	#	Fulton	43	40
FED. ROAD DIST. NO. 7	ILLINOIS	FED. AID PROJECT		



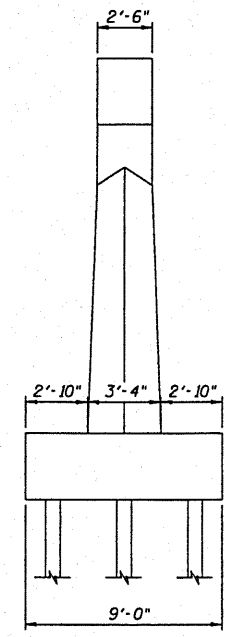
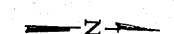
PIER 3 - EAST ELEVATION



PIER 3 - END ELEVATION



PIER 4 - EAST ELEVATION



PIER 4 - END ELEVATION

NOTE:  
Dimensions shown are taken from the existing plans and are for information only.

DSGN	K.J. Hoffmann				
DR	K.J. Hoffmann				
CHK	J.A. Fraunhofer				
APVD	J.A. Fraunhofer	NO.	DATE	REVISION	BY

**FRAUENHOFER**  
Fraunhofer and Associates, P.C. Consulting Engineers  
3002 Crossing Court Champaign, IL 61822 217-351-6268

EXISTING PIER CONDITION-SHEET 2 OF 2  
FAS 447 (C.H. 17) OVER SPOON RIVER  
SECTION 08-00121-01-BR  
FULTON COUNTY

SHEET	40
DWG NO.	8015 PIER.dgn
DATE	JAN 2010
PROJ NO.	8015