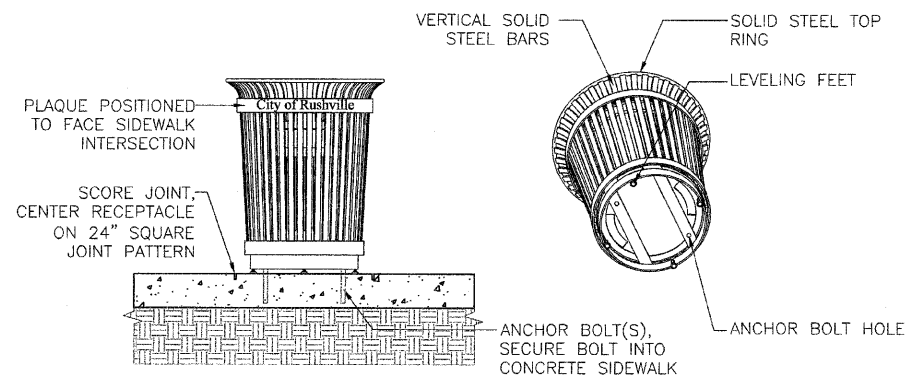
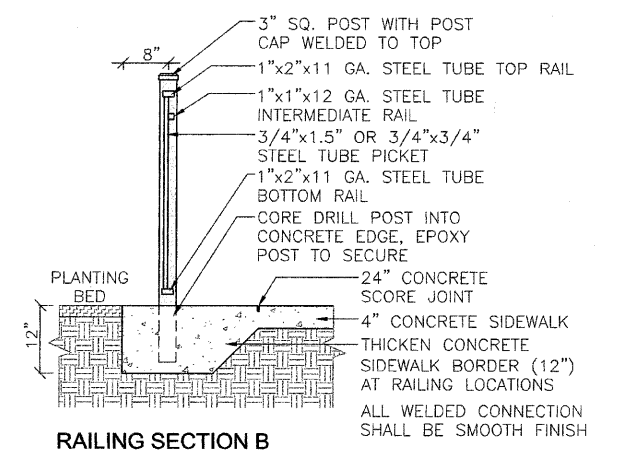
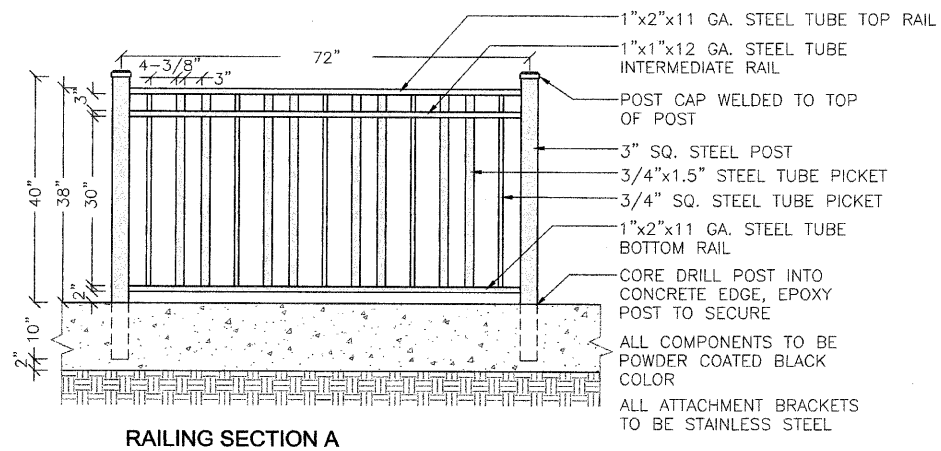
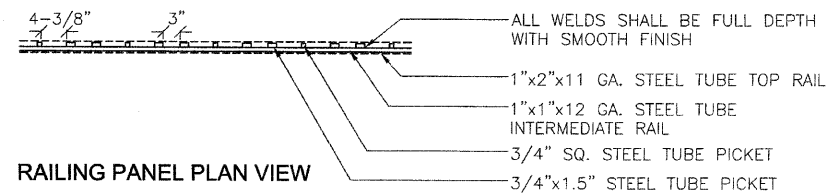
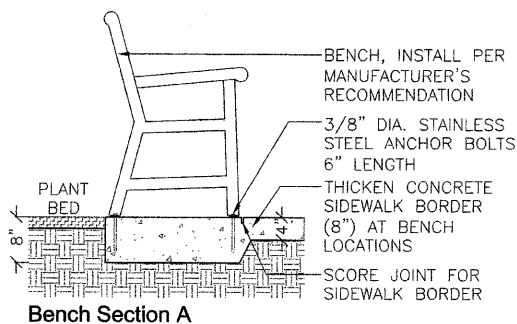
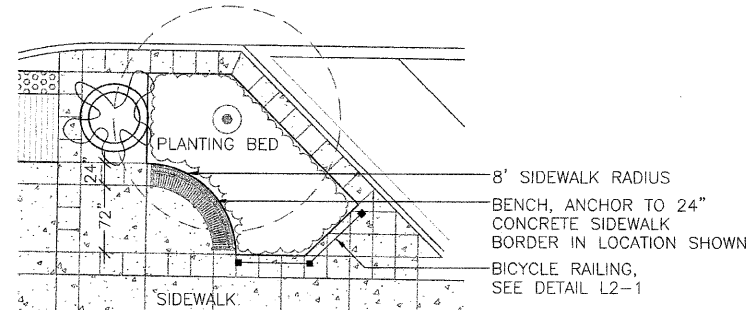


**L**  
**2-1** BICYCLE RAILING  
 NOT TO SCALE



**L**  
**2-2** TRASH RECEPTACLE  
 NOT TO SCALE



**L**  
**2-3** BENCH  
 NOT TO SCALE

FILE NAME =	USER NAME = \$USER\$	DESIGNED - KM	REVISED 2-12-10
\$FILEL\$		DRAWN - NFB	REVISED -
	PLOT SCALE = 1" = 20'	CHECKED - KM	REVISED -
	PLOT DATE = 11-23-09	DATE - 11-23-09	REVISED -

STATE OF ILLINOIS  
 DEPARTMENT OF TRANSPORTATION

CITY OF RUSHVILLE DOWNTOWN BRICK ST. SQUARE RESTORATION PLAN  
 SITE FURNISHINGS DETAILS

SCALE: 1"=20' SHEET NO. 40 OF 49 SHEETS STA. \_\_\_\_\_ TO STA. \_\_\_\_\_

F.A. RTE.	SECTION	COUNTY	TOTAL SHEETS	SHEET NO.
N/A	05-00017-00-FP	SCHUYLER	49	40
FED. ROAD DIST. NO. - ILLINOIS FED. AID PROJECT			CONTRACT NO. 93541	