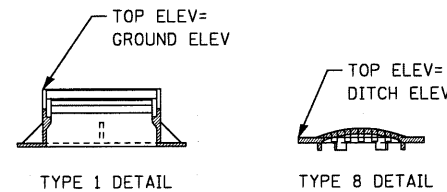


SHOULDER TRANSITION DETAIL

RT STA 12+99.92 TO STA 13+11.92
RT STA 13+86.80 TO STA 13+98.80



FRAME ELEVATIONS ON ASSOCIATED FRAME AND GRATES

(NOT TO SCALE)

STRUCTURES W/FLAT SLAB TOPS TO BE CONSTRUCTED TO ALLOW 4" ADJUSTING RISER (2" MIN) TO BE INSTALLED BELOW GRATE WHEN THERE IS SUFFICIENT HEIGHT OF STRUCTURE

RISER TO ALLOW TOPSOIL TO BE PLACED ADJACENT TO GRATE

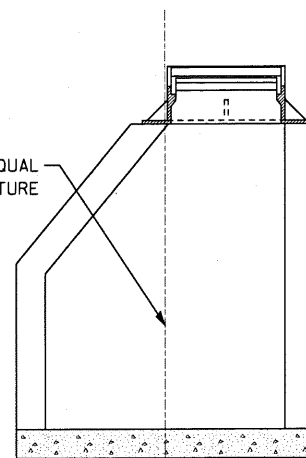
INVERT INLET ELEV=FLOWLINE OF PIPE (GROUT BOTTOM OF INLET TO MATCH FLOWLINE OF PIPE) DESIGN OF MANHOLES AND INLETS SHALL BE BASED ON THIS INVERT REFERENCE AND NOT BOTTOM OF STRUCTURE.

BOTTOM OF STRUCTURE

RESTRICTED DEPTH MANHOLE DETAIL

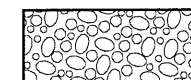
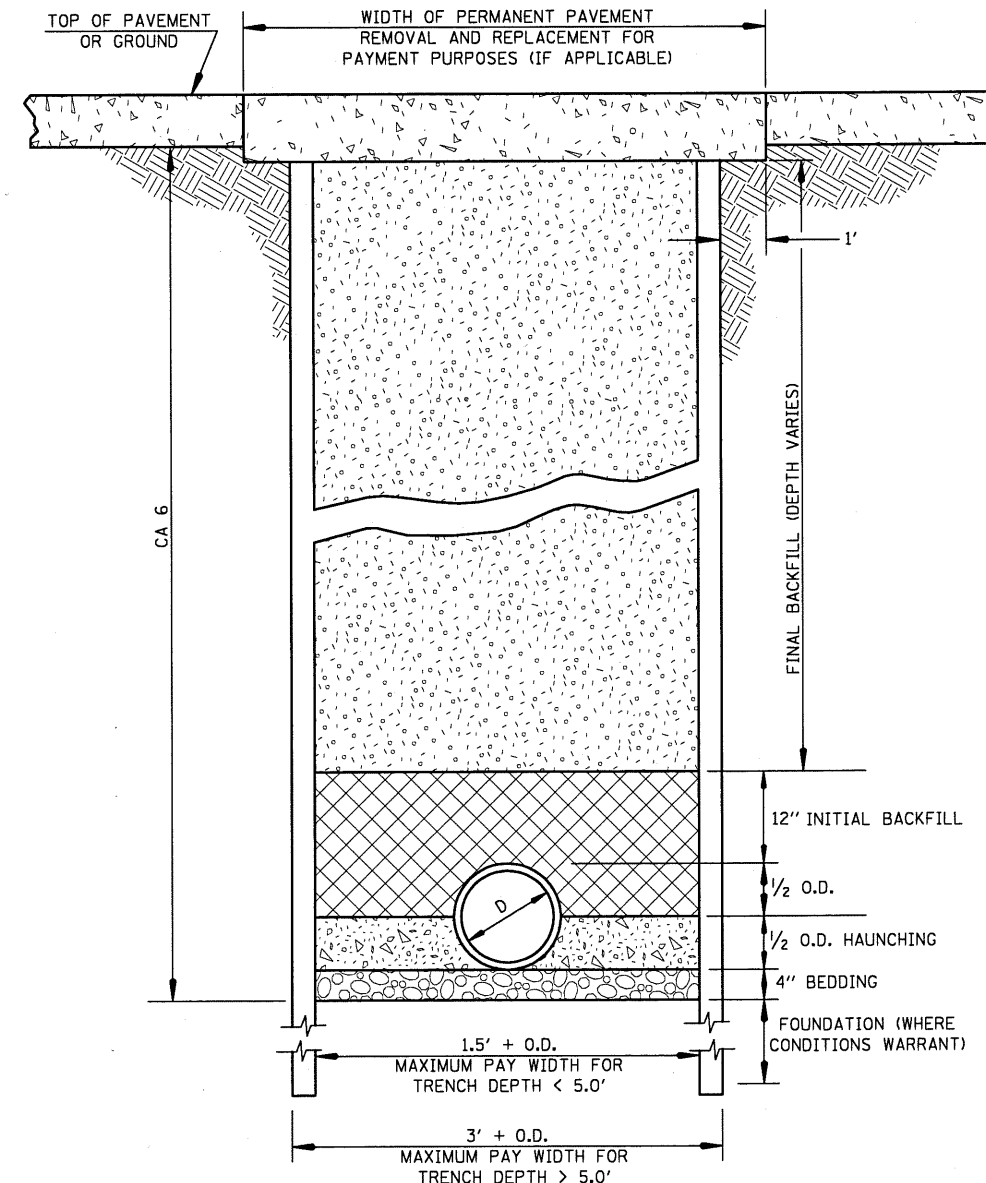
(NOT TO SCALE)

STRUCTURE OFFSET EQUAL TO CENTER OF STRUCTURE



STRUCTURE OFFSET DETAIL

(NOT TO SCALE)



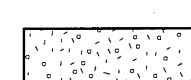
BEDDING
CA 6 REQUIRED IN ALL LOCATIONS. (INCLUDED IN THE COST OF PIPE)



HAUNCHING
CA 6 REQUIRED IN ALL LOCATIONS. (INCLUDED IN THE COST OF PIPE)



INITIAL BACKFILL
CA 6 REQUIRED IN ALL LOCATIONS WHERE THE EDGE OF THE STORM SEWER TRENCH IS LOCATED WITHIN TWO (2) FEET OF A PERMANENT SURFACE.



FINAL BACKFILL
TRENCH BACKFILL (CA 6), REQUIRED IN ALL LOCATIONS WHERE THE EDGE OF THE STORM SEWER TRENCH IS LOCATED WITHIN TWO (2) FEET OF A PERMANENT SURFACE.

TRENCH DETAIL

FILE NAME =	USER NAME = #USER#	DESIGNED - KJS	REVISED -	STATE OF ILLINOIS DEPARTMENT OF TRANSPORTATION	BREESE ITEP SHARED-USE FACILITY MISCELLANEOUS DETAILS		F.A. RTE.	SECTION	COUNTY	TOTAL SHEETS	SHEET NO.
#FILEL#	PLOT SCALE = #SCALE#	DRAWN - KJS	REVISED -				06-00016-00-BT	CLINTON	25	14	
	PLOT DATE = 1/12/2010	CHECKED - SAR	REVISED -		SCALE: NONE	SHEET NO. 1 OF 1 SHEETS	STA.	TO STA.	CONTRACT NO. 97416		
		DATE - 1/11/2010	REVISED -						ILLINOIS FED. AID PROJECT		