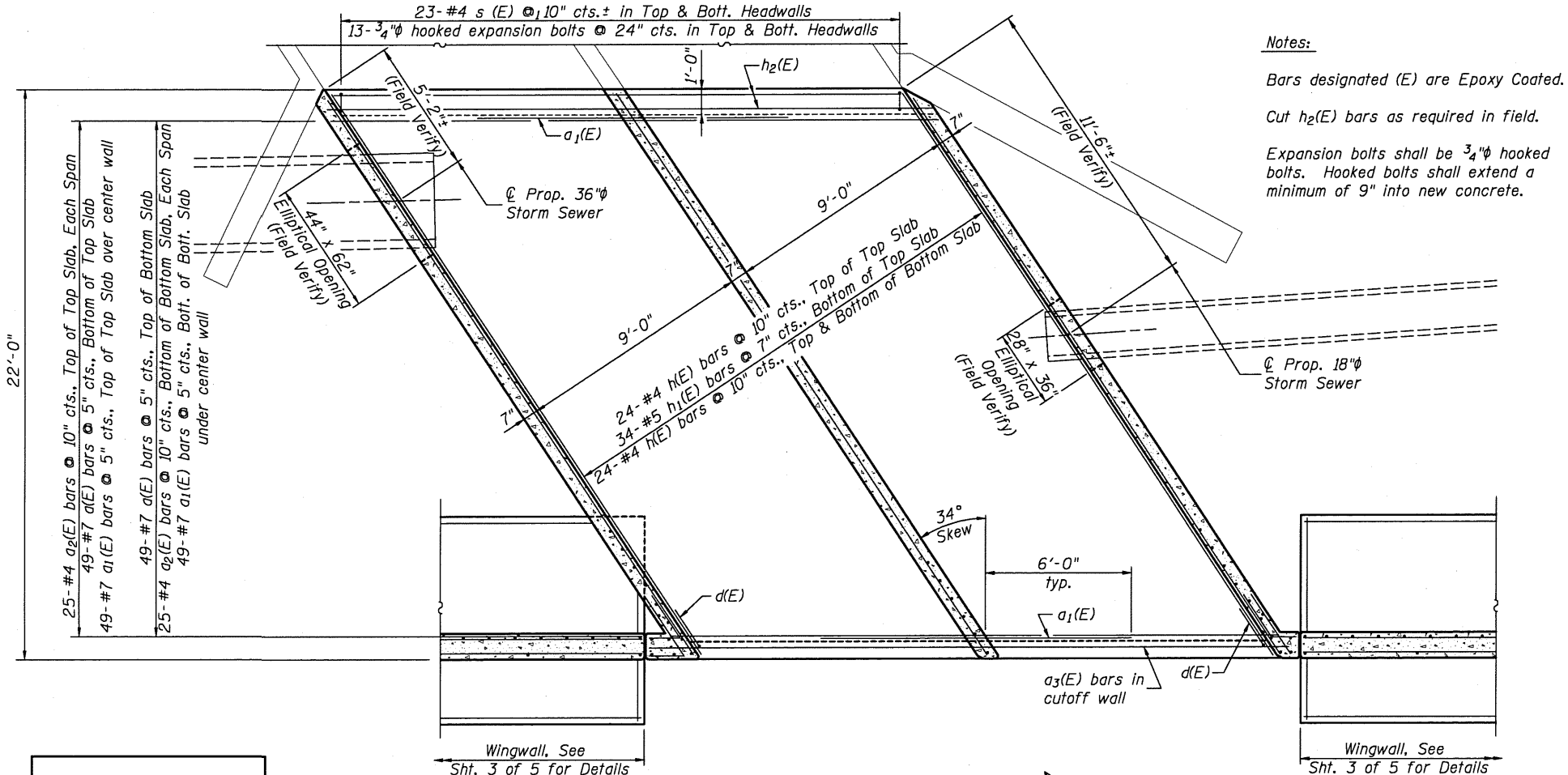
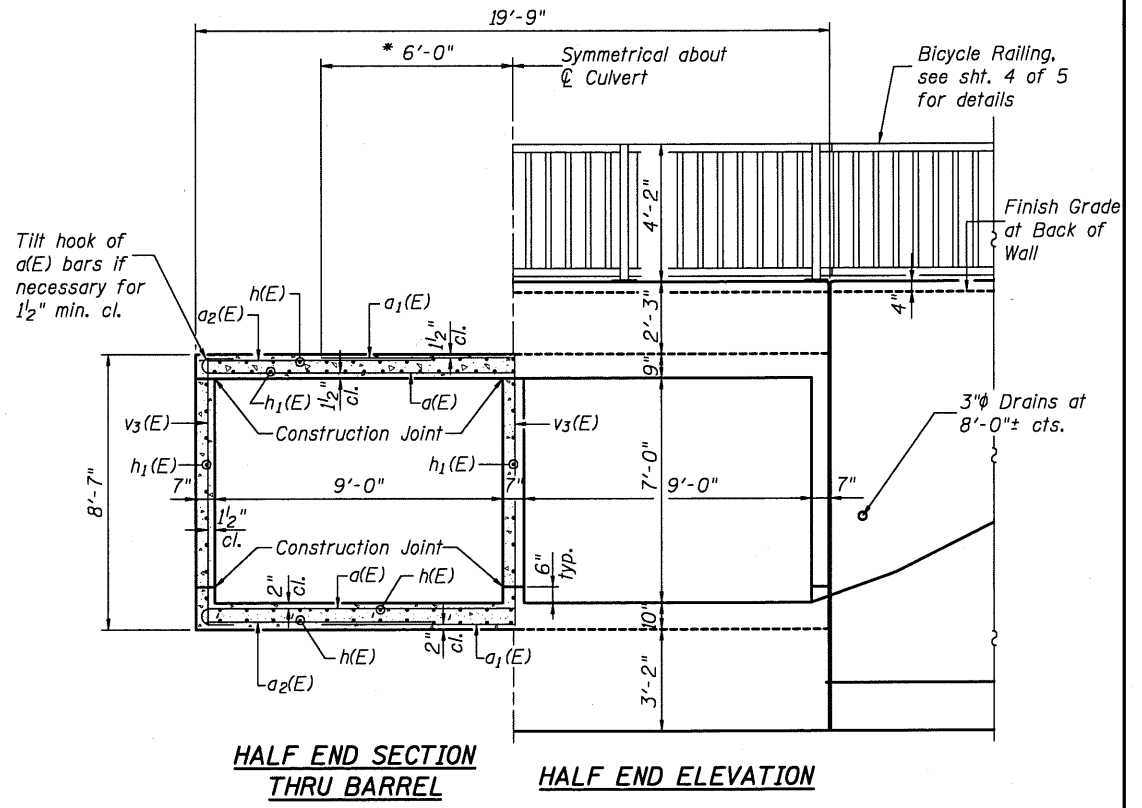
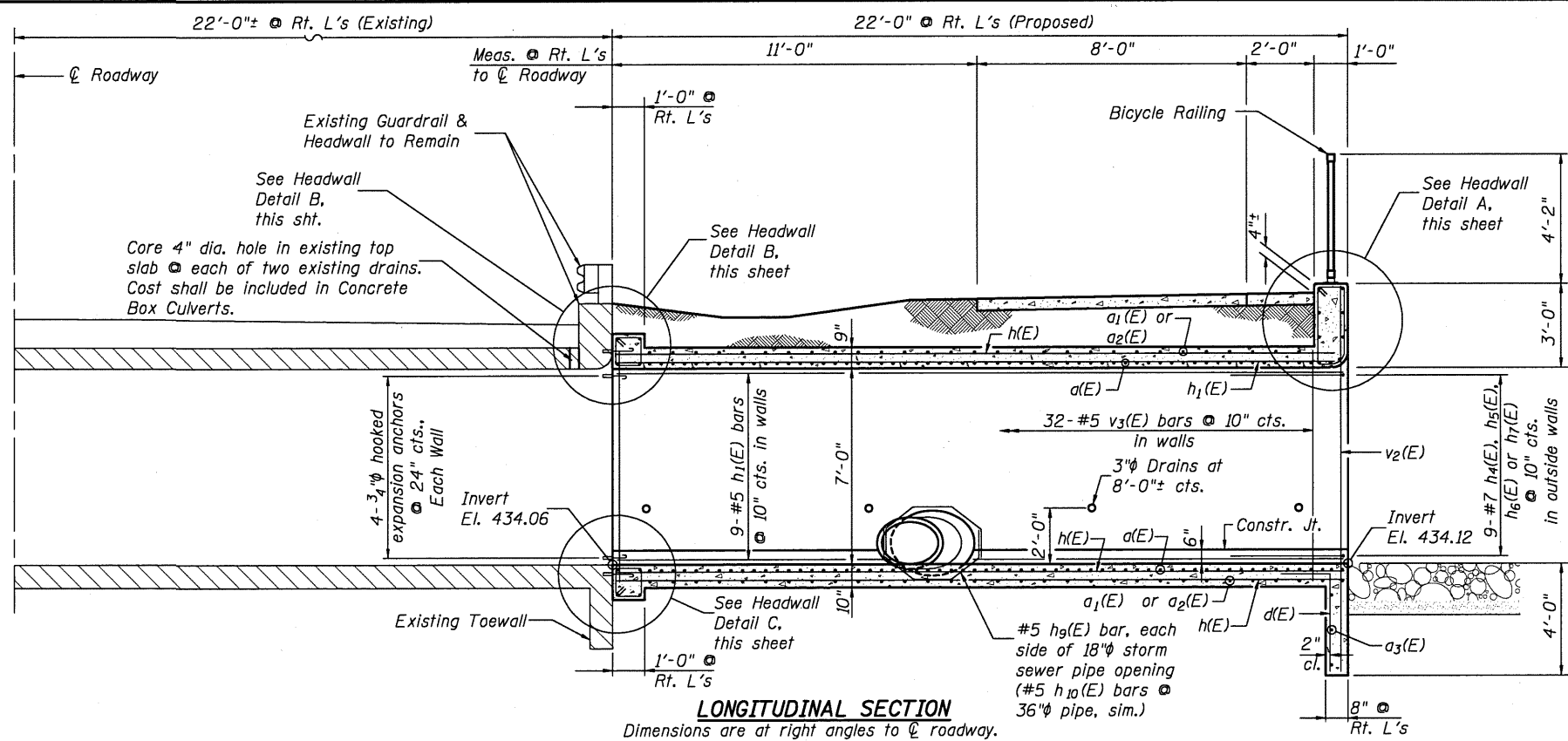
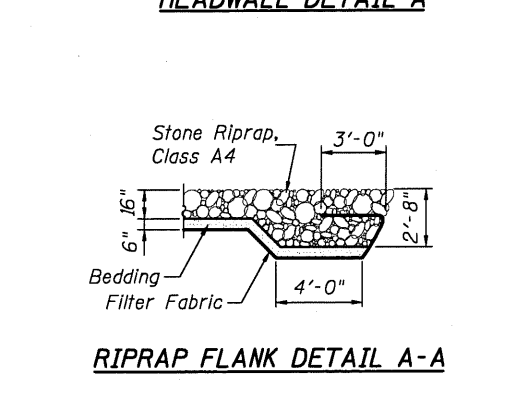
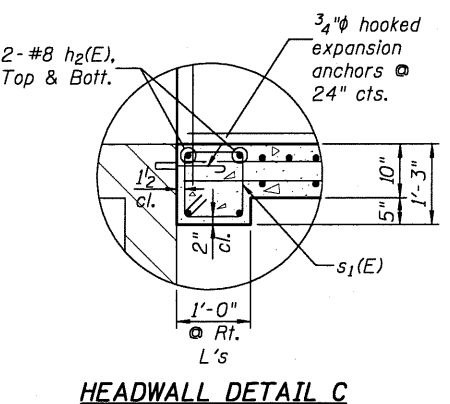
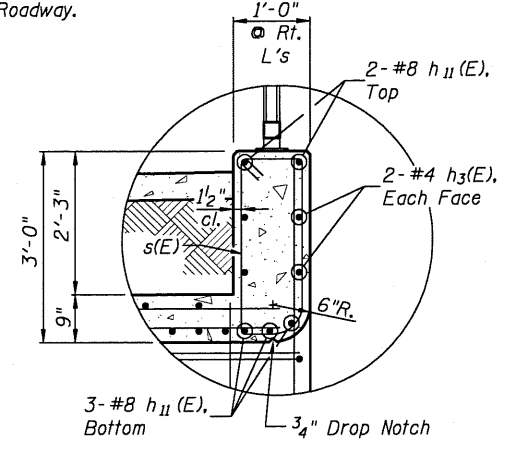
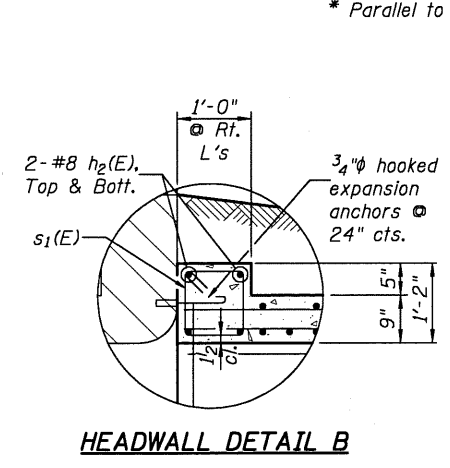


02_dets_5648-6.dgn JAN. 5, 2010



Notes:
Bars designated (E) are Epoxy Coated.
Cut $h_2(E)$ bars as required in field.
Expansion bolts shall be $\frac{3}{4}$ " hooked bolts. Hooked bolts shall extend a minimum of 9" into new concrete.



DESIGNED	B.G.H.
CHECKED	L.D.G.
DRAWN	K.H.L.
CHECKED	B.G.H.

SHEET NO. 2		SECTION		COUNTY	TOTAL SHEETS	SHEET NO.
5 SHEETS		F.A.S. RTE. 1780	06-00016-00-BT	CLINTON	25	16
		S.N. 014-2021		CONTRACT NO. 97416		
		FED. ROAD DIST. NO.	ILLINOIS FED. AID PROJECT			