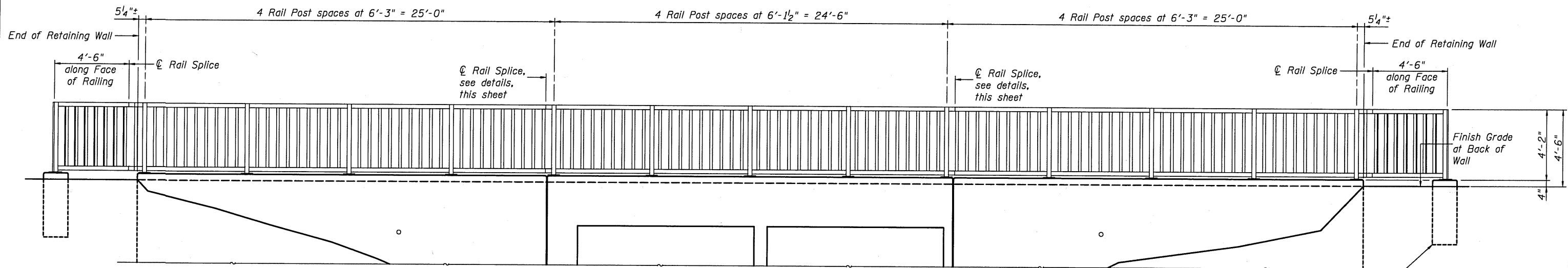
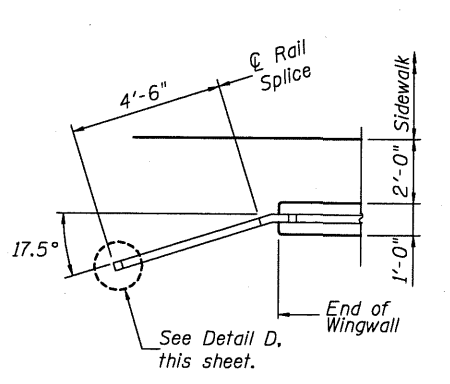


04-1111 5648-6.dgn JAN. 6, 2010

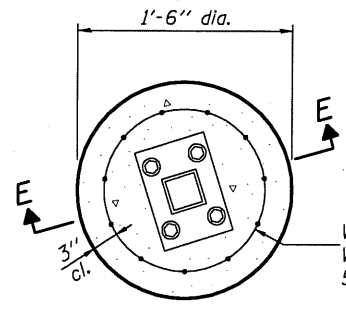


**BICYCLE RAILING ELEVATION**

See Detail D, this sheet. The cost of excavation, concrete and reinforcement shall be included in the cost of Bicycle Railing, Special.



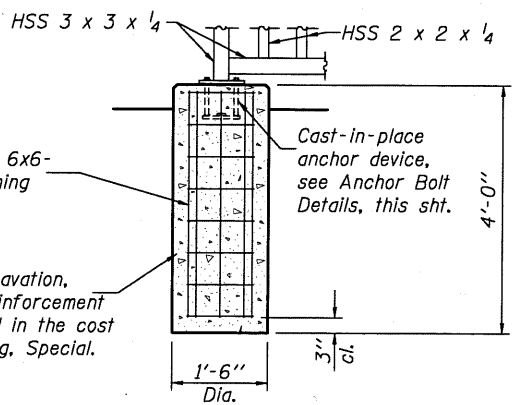
**END OF RAILING PLAN**



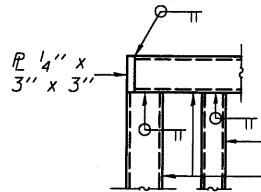
Note: Forms for foundation may be omitted if soil conditions permit.

**DETAIL D**

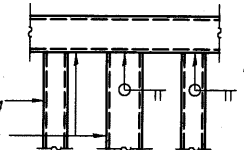
The cost of excavation, concrete and reinforcement shall be included in the cost of Bicycle Railing, Special.



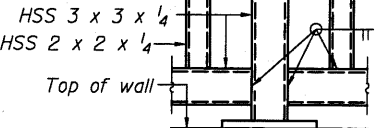
**SECTION E-E**



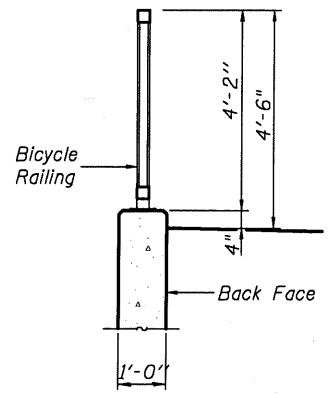
**DETAIL A**



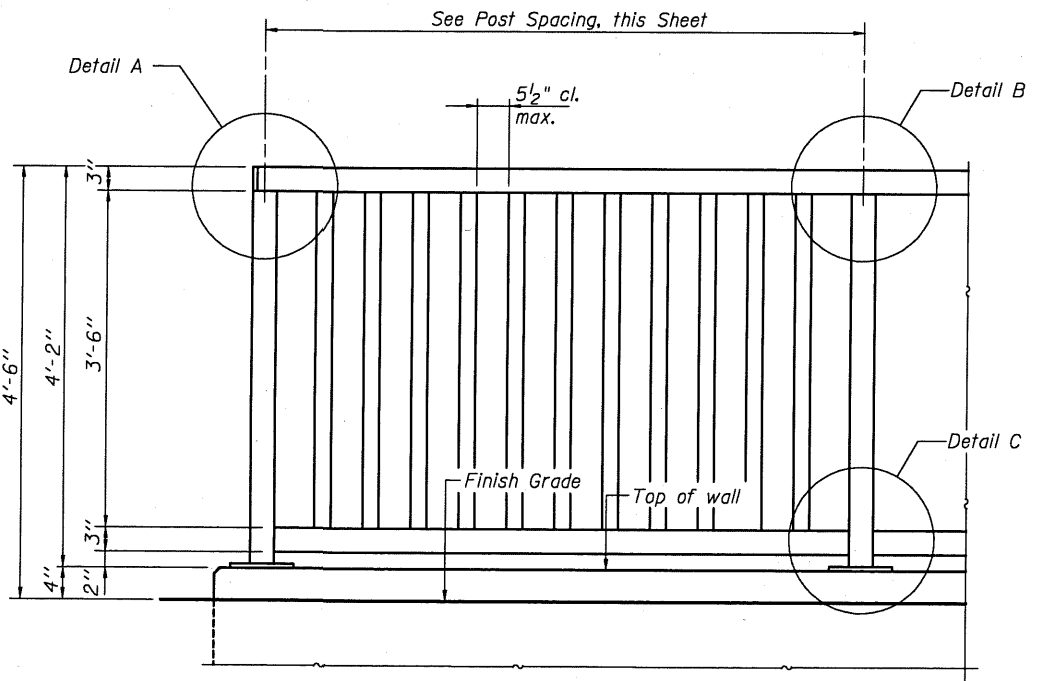
**DETAIL B**



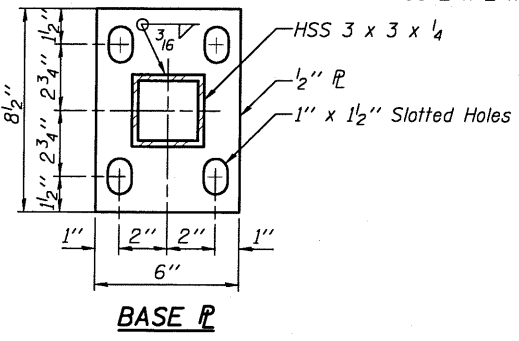
**DETAIL C**



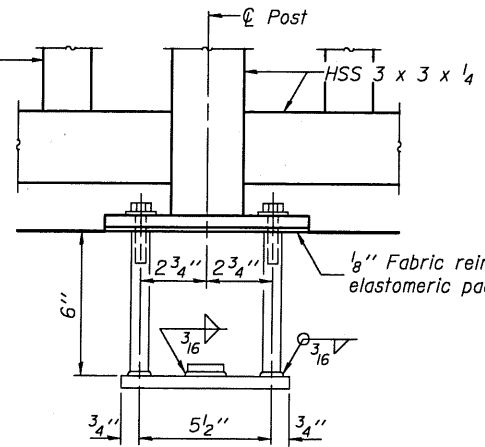
**SECTION THRU RETAINING WALL**



**BICYCLE RAILING PARTIAL ELEVATION**  
(Inside Face of Rail)

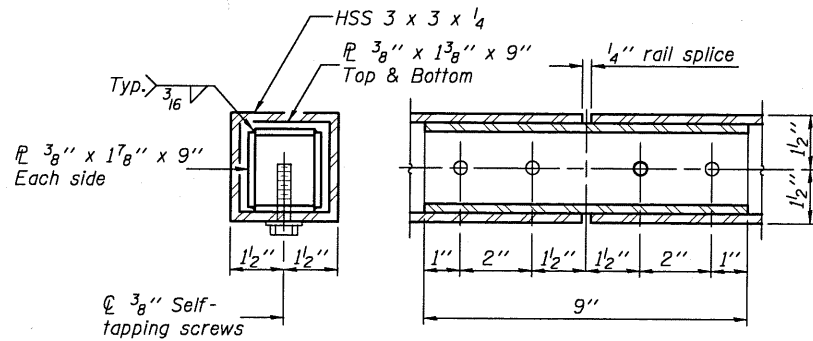


**BASE PL**



**ANCHOR BOLT DETAILS**

In lieu of the cast-in-place anchor device shown, the Contractor has the option of drilling and setting 5/8" φ anchor rods according to Article 509.06 of the Standard Specifications. Embedment shall be according to the manufacturer's specifications.



**RAIL SPLICE**

**BILL OF MATERIAL**

Item	Unit	Quantity
Bicycle Railing, Special	Foot	86

**BICYCLE RAILING**

DESIGNED	B.G.H.
CHECKED	L.D.G.
DRAWN	K.H.L.
CHECKED	B.G.H.

SHEET NO. 4	F.A.S. RTE.	SECTION	COUNTY	TOTAL SHEETS	SHEET NO.
	1780	06-00016-00-BT	CLINTON	25	18
5 SHEETS	S.N. 014-2021		CONTRACT NO. 97416		
	FED. ROAD DIST. NO.	ILLINOIS	FED. AID PROJECT		