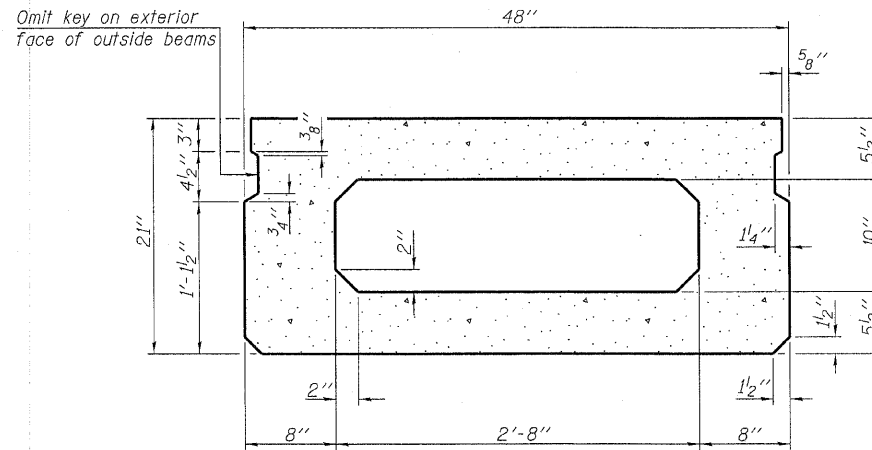
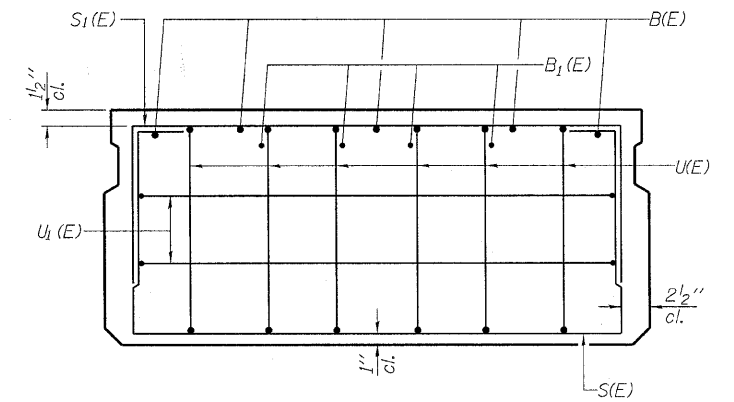


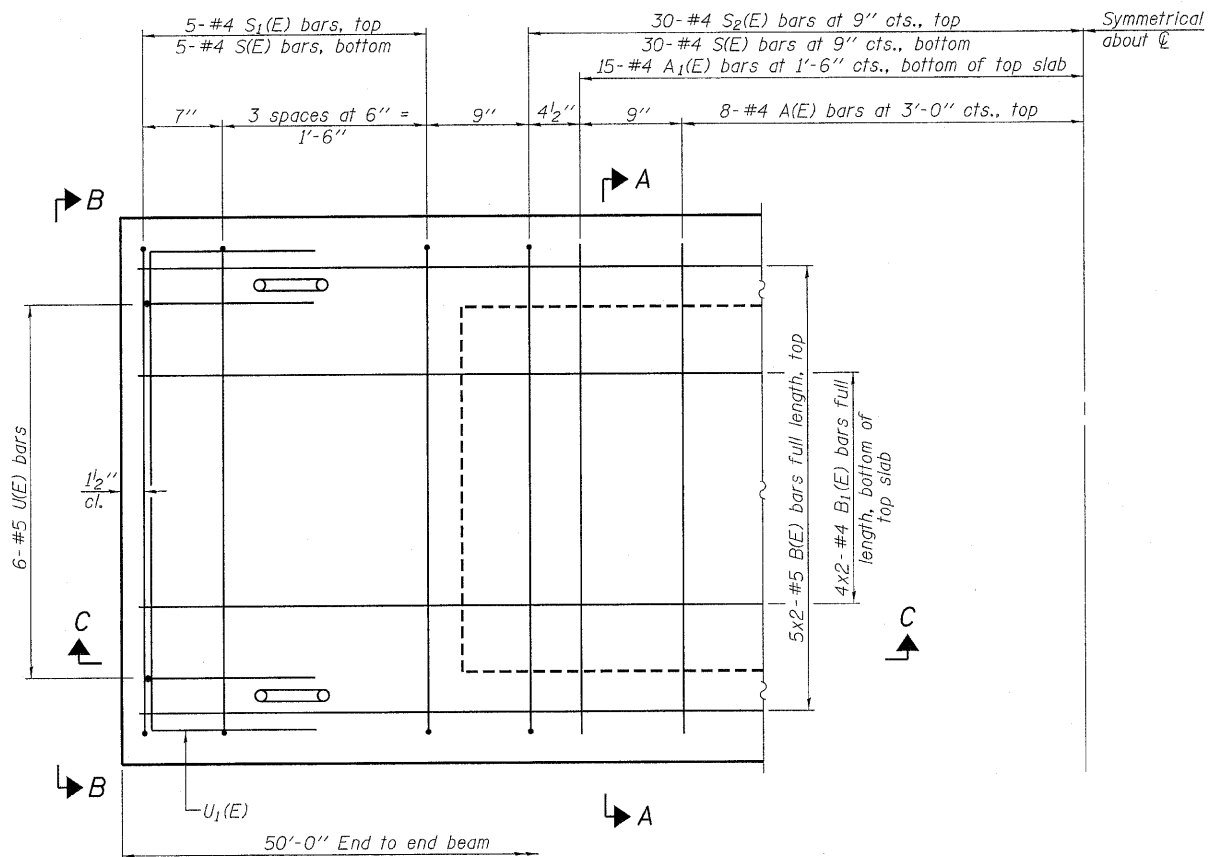
SECTION C-C



SECTION A-A
(Showing dimensions)

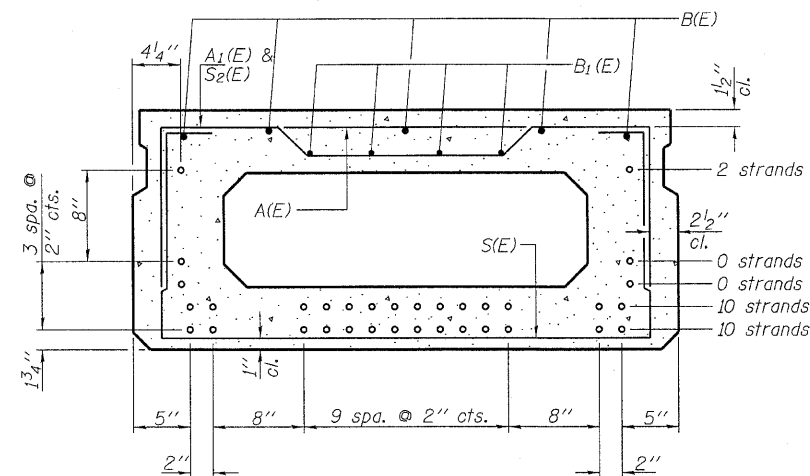


VIEW B-B



PLAN VIEW

Note:
Spacing of S(E) and S₂(E) bars may be adjusted up to 4" in the immediate area of the transverse tie diaphragms to miss the block outs for the transverse ties.
Bars indicated thus 5x2-#4 etc. indicates 5 lines of bars with 2 lengths per line.



SECTION A-A
(Showing reinforcement and permissible strand locations)

Note: Place the number of strands specified in each row symmetrically about the centerline of beam in the permissible strand locations shown.

BAR LIST
ONE BEAM ONLY
(For Information Only)

Bar	No.	Size	Length	Shape
A(E)	16	#4	3'-7"	—
A ₁ (E)	30	#4	3'-10"	~
B(E)	10	#5	26'-2"	—
B ₁ (E)	8	#4	25'-11"	—
S(E)	70	#4	7'-5"	⌈
S ₁ (E)	10	#4	5'-11"	⌈
S ₂ (E)	60	#4	6'-2"	⌈
U(E)	12	#5	4'-0"	⌈
U ₁ (E)	4	#4	6'-0"	⌈

Note: See sheet 3 & 4 of 8 for additional details and Bill of Material.

MINIMUM BAR LAP

#4 bar = 2'-0"
#5 bar = 2'-6"

DESIGNED - A.S.L.
CHECKED - S.W.M.
DRAWN - D.A.B.
CHECKED - S.W.M.

PD-2148-0

11-1-09

HAMPTON, LENZINI AND RENWICK, INC.
CIVIL ENGINEERS • STRUCTURAL ENGINEERS • LAND SURVEYORS
3085 STEVENSON DRIVE, SUITE 201
SPRINGFIELD, ILLINOIS 62703
217.546.3400 www.hlrengineering.com
184.003959
ILLINOIS PROFESSIONAL DESIGN FIRM LS / PE / SE CORPORATION
PROJECT NUMBER: 09.0053.130 DATE: 07/27/10

SHEET NO. 2
8 SHEETS

F.A.S.	SECTION	COUNTY	TOTAL SHEETS	SHEET NO.
1884	09-00114-00-BR	WHITE	12	6
CONTRACT NO. 99431				
FED. ROAD DIST. NO.		ILLINOIS FED. AID PROJECT		

SUPERSTRUCTURE
21" x 48" PPC DECK BEAM
STRUCTURE NO. 097-3268