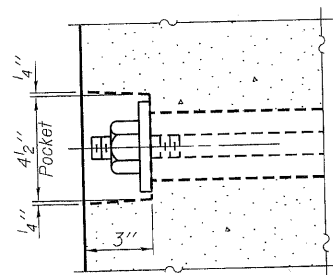


FABRIC BEARING PAD
(Interior - 10 Req'd.)

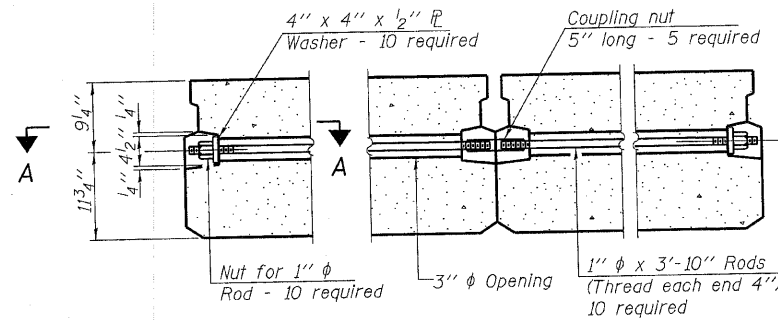
FABRIC BEARING PAD
(Exterior - 4 Req'd.)

FIXED

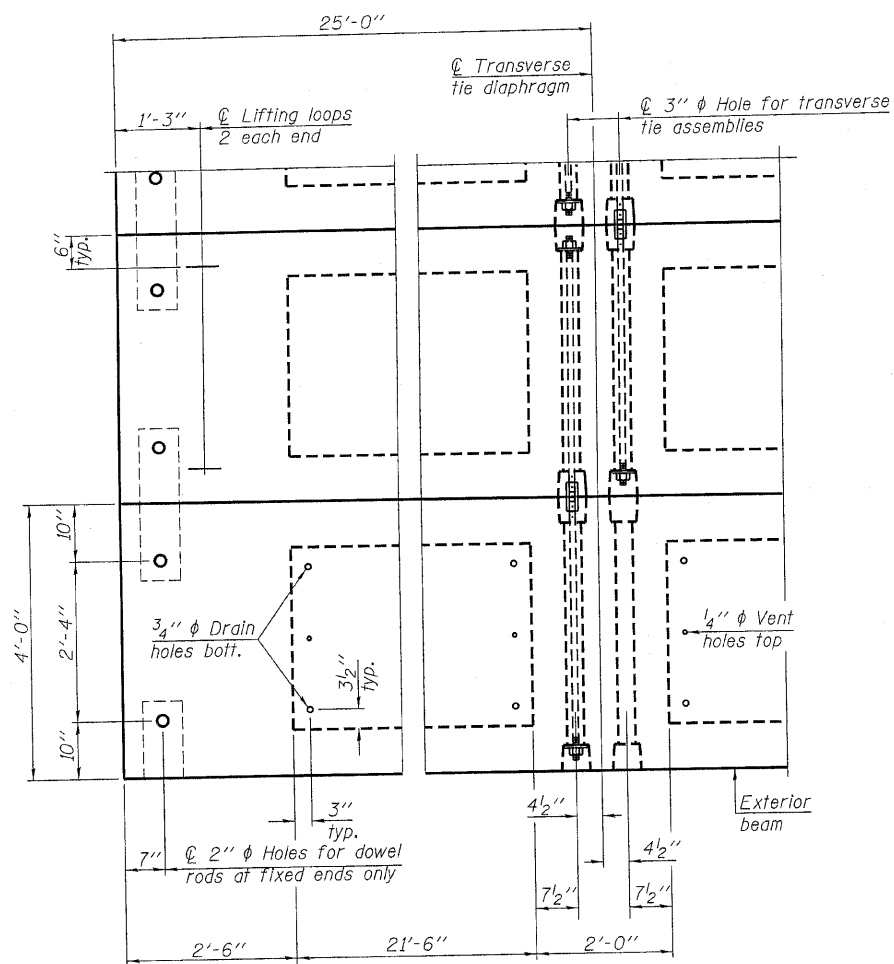
Notes:
All bearing pads shall be 1" thick.
Omit holes when using expansion bearings.
Expansion bearing pad shall be bonded to the substructure.



SECTION A-A



TYPICAL TRANSVERSE TIE ASSEMBLY

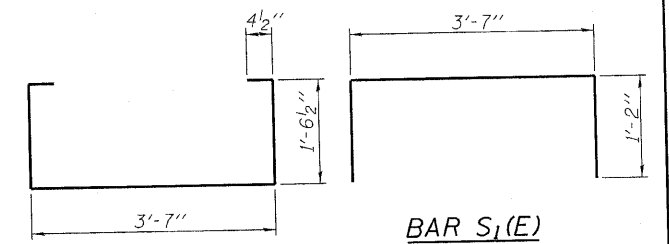


PLAN VIEW

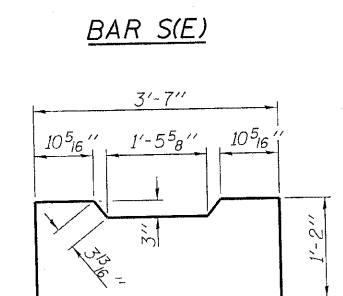
NOTES

Note: Connect beams in pairs with the transverse tie configuration shown.

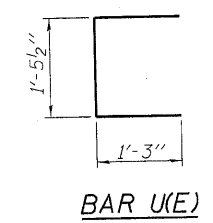
Prestressing steel shall be uncoated high strength, low relaxation 7-wire strand, Grade 270. The nominal diameter shall be 1/2" and the nominal cross-sectional area shall be 0.153 sq. in. The 1" rods in the transverse tie assembly shall be tightened to a snug fit and the threads set. Pockets on exterior faces of bridge shall be filled with grout after transverse tie assembly is in place.
Reinforcement bars shall conform to ASTM A 706, Grade 60. (See Special Provisions). Two 1/8" fabric adjusting shims of the dimensions of the exterior bearing pad shall be provided for each bearing pad location.
A minimum 2 1/2" lifting pin shall be used to engage the lifting loops during handling.
Corrosion Inhibitor, per Article 1020.05(b)(12) and 1021.06 of the Standard Specifications, shall be used in the concrete for precast prestressed concrete deck beams.
Compressive strength of prestressed concrete, f'c, shall be 6000 psi.
Compressive strength of prestressed concrete at release, f'ci, shall be 5000 psi.
Reinforcement bars designated (E) shall be epoxy coated.



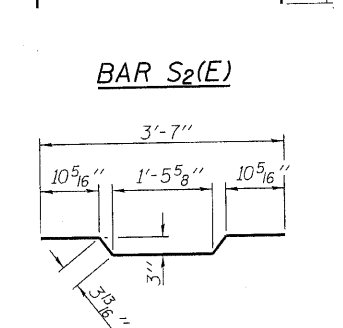
BAR S₁(E)



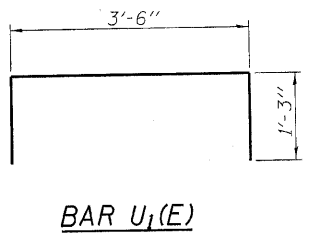
BAR S₂(E)



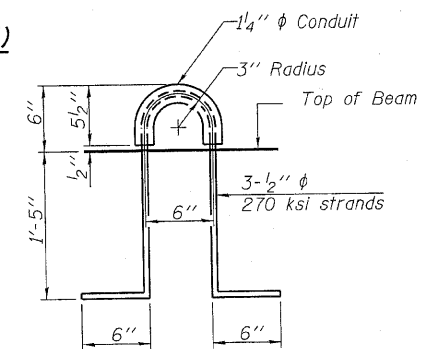
BAR U₁(E)



BAR U₂(E)



BAR A₁(E)



LIFTING LOOP DETAIL

BILL OF MATERIAL

Precast Prestressed Conc. Deck Bms. (21" depth)	Sq. Ft.	1,200
---	---------	-------

SUPERSTRUCTURE DETAILS
21" x 48" PPC DECK BEAM DETAILS
STRUCTURE NO. 097-3268

DESIGNED - A.S.L.
CHECKED - S.W.M.
DRAWN - D.A.B.
CHECKED - S.W.M.

PD-2148-0D 11-1-09

HAMPTON, LENZINI AND RENWICK, INC. CIVIL ENGINEERS - STRUCTURAL ENGINEERS - LAND SURVEYORS 3085 STEVENSON DRIVE, SUITE 201 SPRINGFIELD, ILLINOIS 62703 217.546.3400 www.hirengineering.com 154.000996 ILLINOIS PROFESSIONAL DESIGN FIRM LS / PE / SE CORPORATION PROJECT NUMBER: 09.0053.130 DATE: 07/27/10	SHEET NO. 3	F.A.S.	SECTION	COUNTY	TOTAL SHEETS	SHEET NO.
	8 SHEETS	1884	09-00114-00-BR	WHITE	12	7
			CONTRACT NO. 99431			
			FED. ROAD DIST. NO.	ILLINOIS FED. AID PROJECT		