

STATE OF ILLINOIS  
DEPARTMENT OF TRANSPORTATION

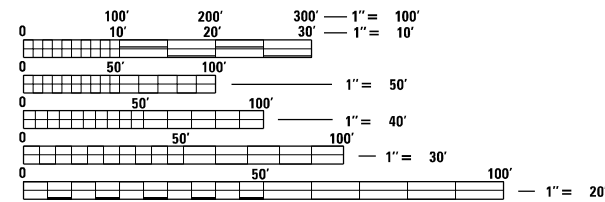
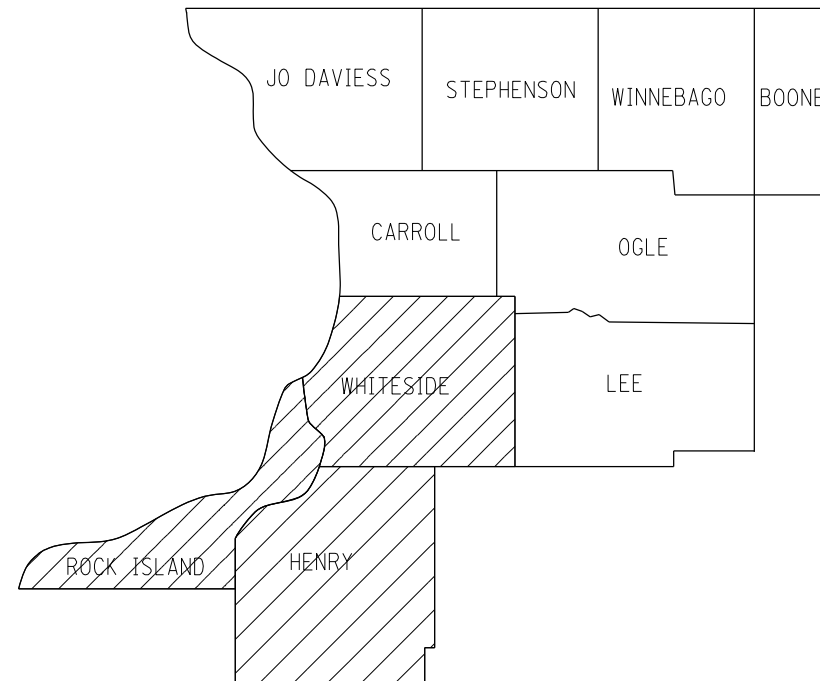
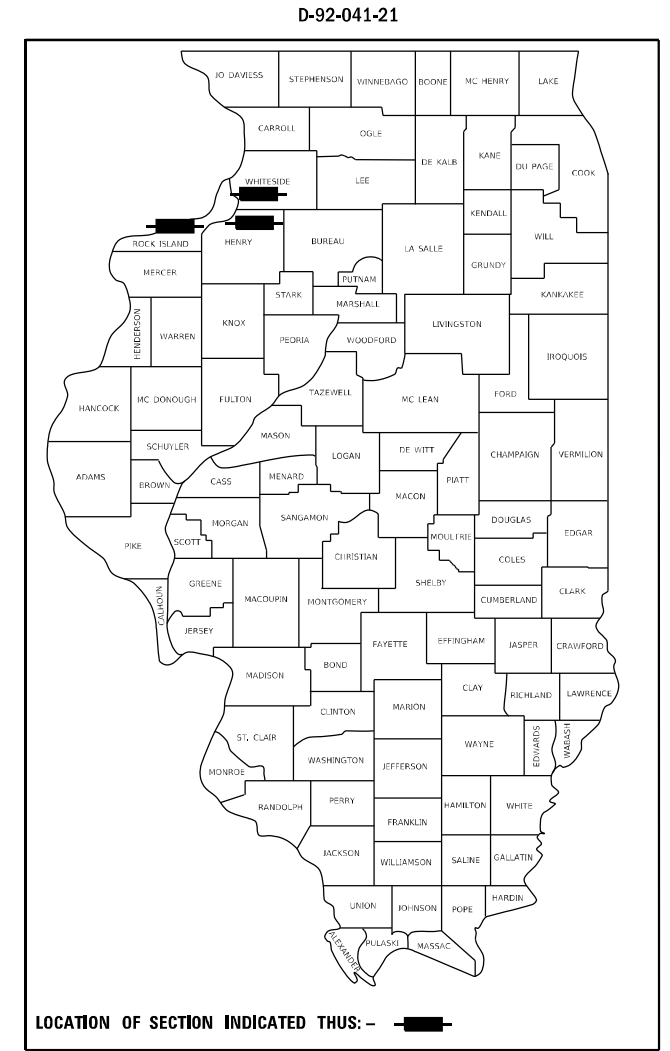
F.A. RTE.	SECTION	COUNTY	TOTAL SHEETS	SHEET NO.
VAR.	D2 BC 2022-3	VARIOUS	11	1
		ILLINOIS	CONTRACT NO. 64P99	

FOR INDEX OF SHEETS, SEE SHEET NO. 2  
FOR STATE STANDARDS, SEE SHEET NO. 2

**PROPOSED  
HIGHWAY PLANS**

**VARIOUS ROUTES  
SECTION: D2 BC 2022-3  
PROJECT: NHPP-DHDL(850)  
TYPE of IMPROVEMENT: BRIDGE WASHING  
VARIOUS COUNTIES**

C-92-062-21



FULL SIZE PLANS HAVE BEEN PREPARED USING STANDARD ENGINEERING SCALES, REDUCED SIZED PLANS WILL NOT CONFORM TO STANDARD SCALES. IN MAKING MEASUREMENTS ON REDUCED PLANS, THE ABOVE SCALES MAY BE USED.

J.U.L.I.E.  
JOINT UTILITY LOCATION INFORMATION FOR EXCAVATION  
1-800-892-0123  
OR 811

PROJECT ENGINEER: DAVID DOSS (815) 284-5416  
PROJECT MANAGER: MAHMOUD ETEMADI (815) 284-5393

CONTRACT NO. 64P99

STATE OF ILLINOIS  
DEPARTMENT OF TRANSPORTATION

SUBMITTED July 29, 2021  
*David Doss*  
REGIONAL ENGINEER

October 1, 2021  
*[Signature]*  
ENGINEER OF DESIGN AND ENVIRONMENT

October 2, 2021  
*Stephen M. Davis*  
DIRECTOR OF HIGHWAYS PROJECT IMPLEMENTATION

PRINTED BY THE AUTHORITY  
OF THE STATE OF ILLINOIS



# SUMMARY OF QUANTITIES

Paycode	Description	Units	0047 NHPP - FLEX 90% FEDERAL 10% STATE URBAN	Total
59200101	BRIDGE WASHING NO. 1	EACH	1	1
59200102	BRIDGE WASHING NO. 2	EACH	1	1
59200103	BRIDGE WASHING NO. 3	EACH	1	1
59200104	BRIDGE WASHING NO. 4	EACH	1	1
59200105	BRIDGE WASHING NO. 5	EACH	1	1
59200106	BRIDGE WASHING NO. 6	EACH	1	1
67100100	MOBILIZATION	L SUM	1	1
70100420	TRAFFIC CONTROL AND PROTECTION, STANDARD 701411	EACH	4	4
70100700	TRAFFIC CONTROL AND PROTECTION, STANDARD 701406	L SUM	1	1
70102620	TRAFFIC CONTROL AND PROTECTION, STANDARD 701501	L SUM	1	1

MODEL: Default  
 FILE NAME: \\pwwd01\pwwd01\Documents\DOT\_Offices\District 2\Projects\Operations\Bridges\_Section\Bridges\_Washing\_Contract\2022\64P99\_Bridge\_Washing\_over\_Rock\_River\16\CADD\64P99-ht-cover.dgn

USER NAME = dssdd	DESIGNED - _____	REVISED - _____
PLOT SCALE = 100,0000' / in.	CHECKED - _____	REVISED - _____
PLOT DATE = Jul-26-2021 11:00:23 AM	DATE - _____	REVISED - _____

**STATE OF ILLINOIS  
DEPARTMENT OF TRANSPORTATION**

**SUMMARY OF QUANTITIES**

SCALE: \_\_\_\_\_ SHEET \_\_\_\_ OF \_\_\_\_ SHEETS STA. \_\_\_\_\_ TO STA. \_\_\_\_\_

F.A. RTE.	SECTION	COUNTY	TOTAL SHEETS	SHEET NO.
VAR.	D2 BC 2022-3	VARIOUS	11	3
			CONTRACT NO. 64P99	
ILLINOIS FED. AID PROJECT				

# SCHEDULE OF QUANTITIES

Pay Item	Project Location	SN	Facility Carried	Feature Crossed	Bridge Location	Traffic Control
BRIDGE WASHING NO. 1	1	037-0021	FAI 80 SB	Rock River	At Rock Island Co. Line	701400 701406
BRIDGE WASHING NO. 2		037-0022	FAI 80 NB	Rock River	At Rock Island Co. Line	701400 701406
BRIDGE WASHING NO. 3	2	081-0161	FAI 74 SB	Rock River/ Side Roads	S Edge Moline	701400, 701406, 701411, 701501
BRIDGE WASHING NO. 4		081-0162	FAI 74 NB	Rock River/ Side Roads	S Edge Moline	701400, 701406, 701411, 701501
BRIDGE WASHING NO. 5	3	098-0079	FAI 88	Rock River	3 Mi West of Rock Falls	701400, 701406, 701411
BRIDGE WASHING NO. 6		098-0080	FAI 88	Rock River	3 Mi West of Rock Falls	701400, 701406, 701411

MODEL: Default  
 FILE NAME: \\pwwd01\pwwd01\Documents\DOT\_Offices\District 2\Projects\Operations\Bridges\_Section\Bridges\_Washing\_Contract\2022\64P99\_Bridge\_Washing.cvr  
 PROJECT: Operations\Bridges\_Section\Bridges\_Washing\_Contract\2022\64P99\_Bridge\_Washing.cvr

USER NAME = drossd	DESIGNED - _____	REVISED - _____
	DRAWN - _____	REVISED - _____
PLOT SCALE = 100,0000' / in.	CHECKED - _____	REVISED - _____
PLOT DATE = Jul-26-2021 11:00:32 AM	DATE - _____	REVISED - _____

**STATE OF ILLINOIS  
DEPARTMENT OF TRANSPORTATION**

**SCHEDULE OF QUANTITIES**

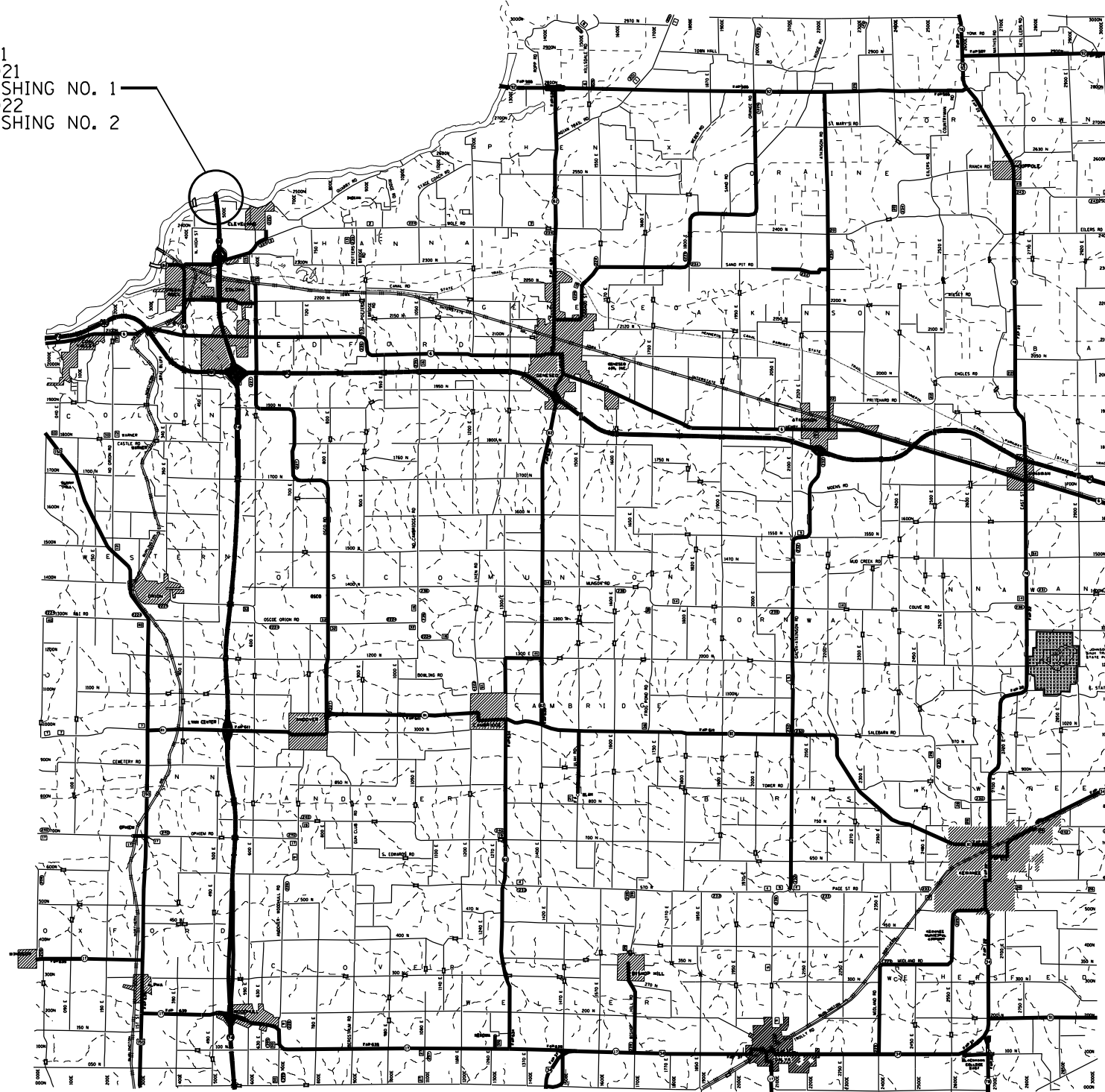
SCALE: \_\_\_\_\_ SHEET \_\_\_\_ OF \_\_\_\_ SHEETS STA. \_\_\_\_\_ TO STA. \_\_\_\_\_

F.A. RTE.	SECTION	COUNTY	TOTAL SHEETS	SHEET NO.
VAR.	D2 BC 2022-3	VARIOUS	11	4
			CONTRACT NO. 64P99	
ILLINOIS FED. AID PROJECT				

# HENRY COUNTY



LOCATION 1  
 SN 037-0021  
 BRIDGE WASHING NO. 1  
 SN 037-0022  
 BRIDGE WASHING NO. 2



MODEL: Default  
 FILE NAME: p:\planningroom\dot\illinois\dot\Documents\DOT\_Offices\District 2\Projects\Operations\Bridges\_Section\Bridges\_Washing\_Contract\2022\64P99\_Bridge\_Washing\over\_Rock\_River\15\CADD\64P99-ht-cover.dgn

USER NAME = drossid	DESIGNED - _____	REVISED - _____
	DRAWN - _____	REVISED - _____
PLOT SCALE = 100,0000' / in.	CHECKED - _____	REVISED - _____
PLOT DATE = Jul-26-2021 11:00:41 AM	DATE - _____	REVISED - _____

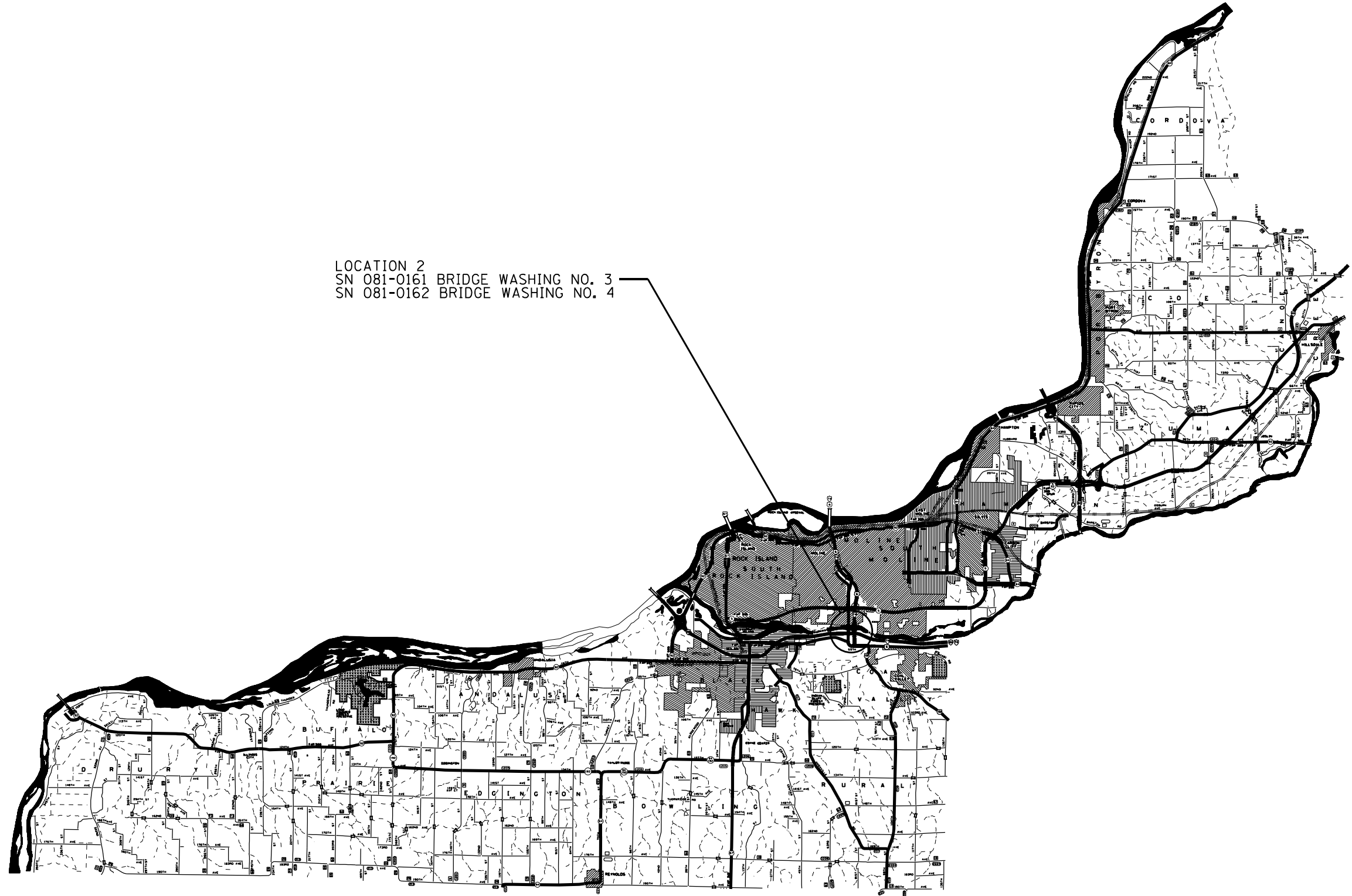
**STATE OF ILLINOIS**  
**DEPARTMENT OF TRANSPORTATION**

**HENRY COUNTY**  
**LOCATION MAP**

SCALE: \_\_\_\_\_ SHEET \_\_\_\_\_ OF \_\_\_\_\_ SHEETS STA. \_\_\_\_\_ TO STA. \_\_\_\_\_

F.A. RTE.	SECTION	COUNTY	TOTAL SHEETS	SHEET NO.
VAR.	D2 BC 2022-3	VARIOUS	11	5
			CONTRACT NO. 64P99	
			ILLINOIS FED. AID PROJECT	

# ROCK ISLAND COUNTY



LOCATION 2  
 SN 081-0161 BRIDGE WASHING NO. 3  
 SN 081-0162 BRIDGE WASHING NO. 4

MODEL: Default  
 FILE NAME: p:\planningroom\dot\illinois\dot\PWIDOT\Documents\DOT\_Offices\District 2\Projects\Operations\Bridges\_Section\Bridges\_Washing\_Contract\2022\64P99\_Bridge\_Washing\_Over\_Rock\_River\61\CADD\64P99-ht-cover.dgn

USER NAME = drossd	DESIGNED - _____	REVISED - _____
	DRAWN - _____	REVISED - _____
PLOT SCALE = 100,000' / in.	CHECKED - _____	REVISED - _____
PLOT DATE = Jul-26-2021 11:00:48 AM	DATE - _____	REVISED - _____

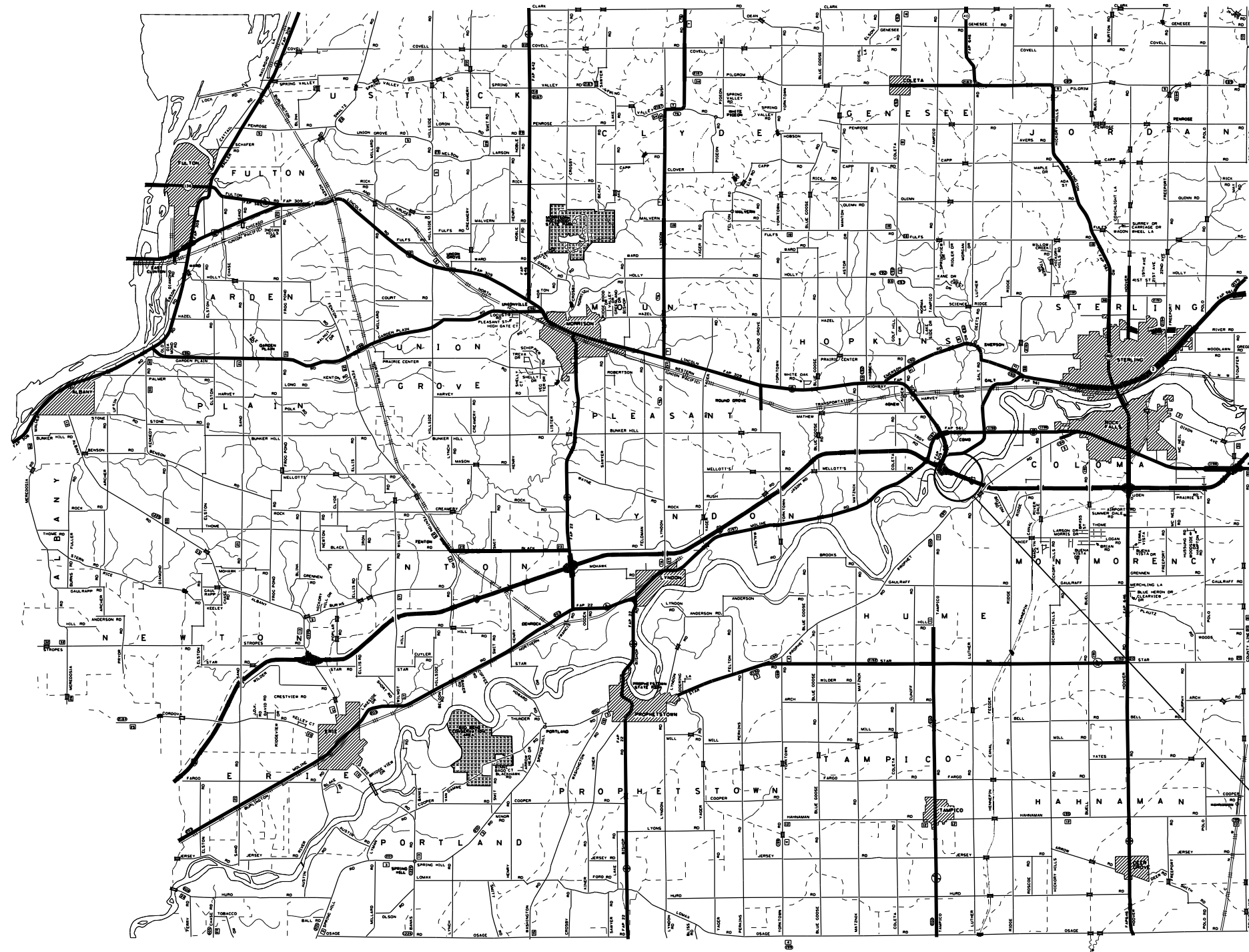
**STATE OF ILLINOIS  
 DEPARTMENT OF TRANSPORTATION**

**ROCK ISLAND COUNTY  
 LOCATION MAP**

SCALE: \_\_\_\_\_ SHEET \_\_\_\_\_ OF \_\_\_\_\_ SHEETS STA. \_\_\_\_\_ TO STA. \_\_\_\_\_

F.A. RTE.	SECTION	COUNTY	TOTAL SHEETS	SHEET NO.
VAR.	D2 BC 2022-3	VARIOUS	11	6
			CONTRACT NO. 64P99	
			ILLINOIS FED. AID PROJECT	

# WHITESIDE COUNTY



LOCATION 3  
 SN 098-0079  
 BRIDGE WASHING NO. 5  
 SN 098-0080  
 BRIDGE WASHING NO. 6

MODEL: Default  
 FILE NAME: p:\m\l\m\room\dot\illinois\pww\dot\Documents\DOT\_Offices\District 2\Projects\Operations\Bridge\_Section\Bridge\_Washing\_Contract\2022\64P99\_Bridge\_Washing\over\_Rock\_River\15\CADD\64P99-ht-cover.dwg

USER NAME = drossid	DESIGNED - _____	REVISED - _____
	DRAWN - _____	REVISED - _____
PLOT SCALE = 100,000' / in.	CHECKED - _____	REVISED - _____
PLOT DATE = Jul-26-2021 11:00:58 AM	DATE - _____	REVISED - _____

**STATE OF ILLINOIS**  
**DEPARTMENT OF TRANSPORTATION**

**WHITESIDE COUNTY**  
**LOCATION MAP**

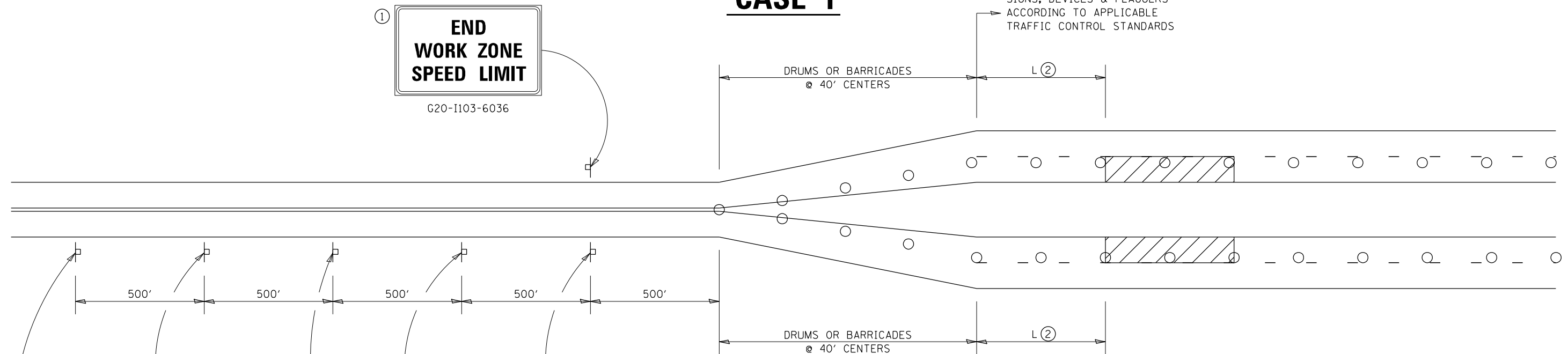
SCALE: \_\_\_\_\_ SHEET \_\_\_\_\_ OF \_\_\_\_\_ SHEETS STA. \_\_\_\_\_ TO STA. \_\_\_\_\_

F.A. RTE.	SECTION	COUNTY	TOTAL SHEETS	SHEET NO.
VAR.	D2 BC 2022-3	VARIOUS	11	7
			CONTRACT NO. 64P99	
ILLINOIS FED. AID PROJECT				

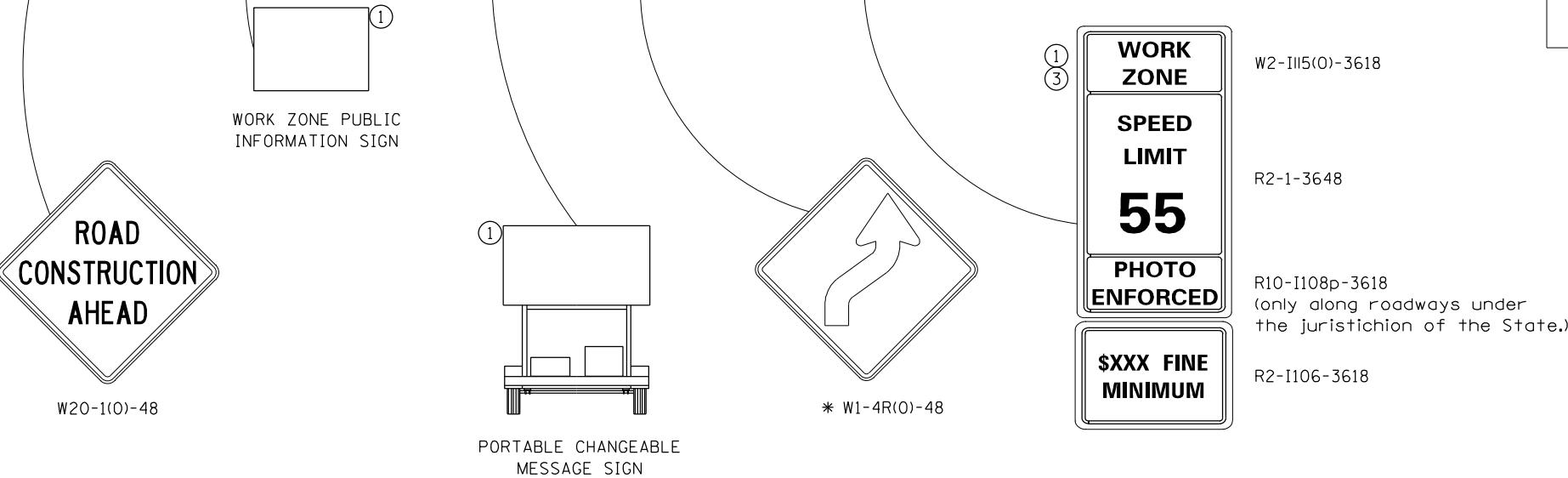
# TRAFFIC CONTROL FOR TRANSITION AREAS

## CASE 1

SIGNS, DEVICES & FLAGGERS  
ACCORDING TO APPLICABLE  
TRAFFIC CONTROL STANDARDS



SIGNS, DEVICES & FLAGGERS  
ACCORDING TO APPLICABLE  
TRAFFIC CONTROL STANDARDS



GENERAL NOTES  
THIS DETAIL IS TO BE USED IN CONJUNCTION  
WITH THE APPLICABLE MULTILANE TRAFFIC  
CONTROL AND PROTECTION STANDARD.

1. If applicable. Use if shown on applicable multilane Traffic Control and Protection Standard being used.
2. If the work is within 2500 feet of the transition when the speed is > 40 mph, or 1500 feet for all other speeds, the detail shall be used.
3. WORK ZONE SPEED LIMIT 55 SIGN ASSEMBLY shall be replaced with WORK ZONE SPEED LIMIT 45 SIGN ASSEMBLY where the workers are within 500 feet of the transition.

THIS TRAFFIC CONTROL DETAIL SHALL BE INCLUDED  
IN THE COST OF SPECIFIED TRAFFIC CONTROL  
STANDARDS OR ITEMS.

○ DRUMS OR BARRICADES WITH LIGHTS

▨ WORK AREA

NOTE: STANDARDS 701301 AND 701306  
SHALL NOT BE USED WITHIN 500 FEET  
OF THE TRANSITION.

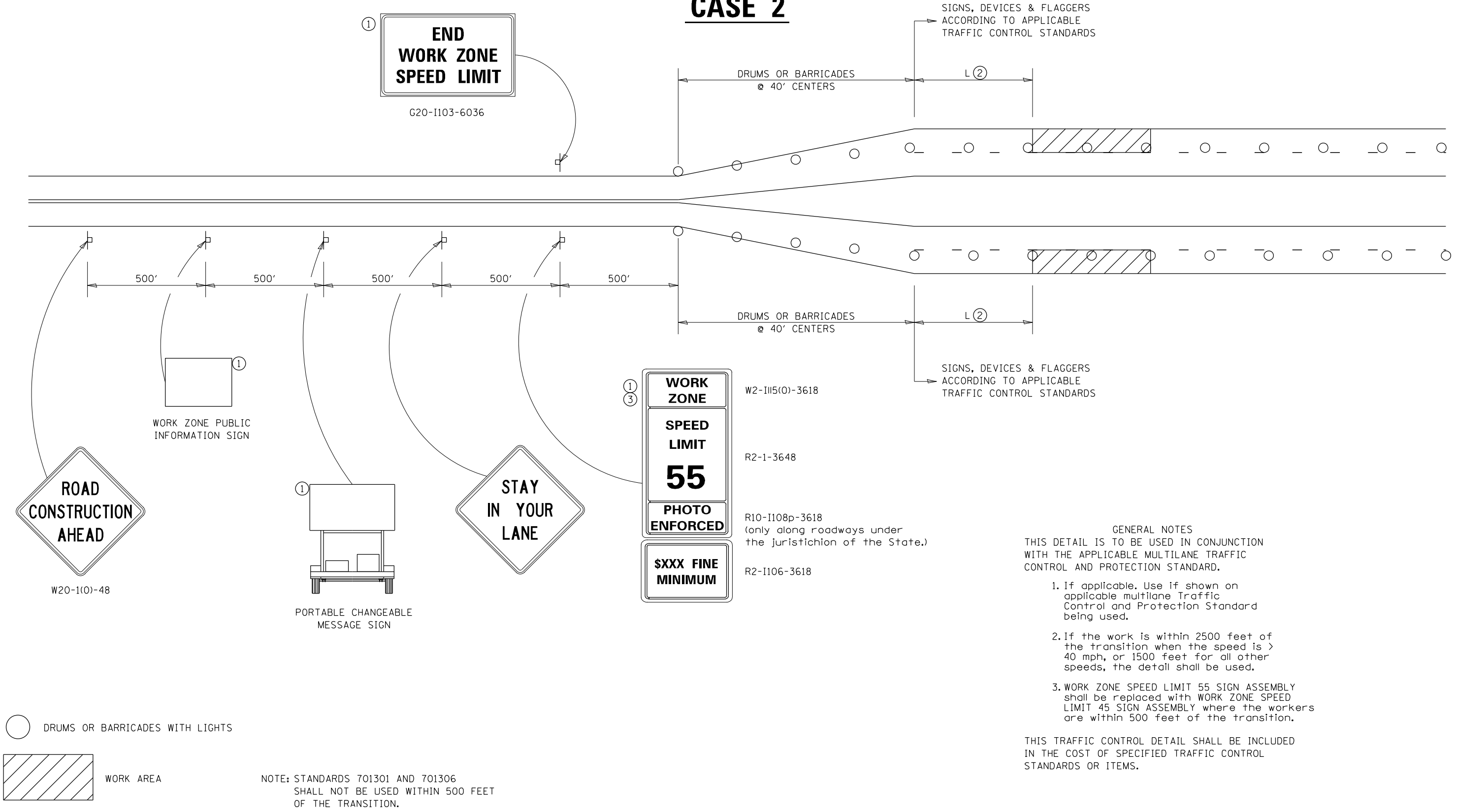
\* DEPENDS ON GEOMETRICS  
OF THE TRANSITION. MAY  
SWITCH THE "STAY IN YOUR  
LANE" AND "WEAVE SIGNS"

FILE NAME =	USER NAME = dosddd	DESIGNED -	REVISED - 4-20-17	<b>STATE OF ILLINOIS DEPARTMENT OF TRANSPORTATION</b>	<b>REGION 2 / DISTRICT 2 STANDARD</b>	F.A. RTÉ.	SECTION	COUNTY	TOTAL SHEETS	SHEET NO.	
DRAWN						REVISED - 8-27-13	VAR.	D2 BC 2022-3	VARIOUS	11	8
PLOT SCALE = 100.0000' / in.						REVISED - 1-16-13	CONTRACT NO. 64P99				
PLOT DATE = Jul-26-2021 11:01:05 AM						DATE -	SCALE: _____ SHEET NO. ___ OF ___ SHEETS STA. _____ TO STA. _____		FED. ROAD DIST. NO. _ ILLINOIS FED. AID PROJECT		



# TRAFFIC CONTROL FOR TRANSITION AREAS

## CASE 2



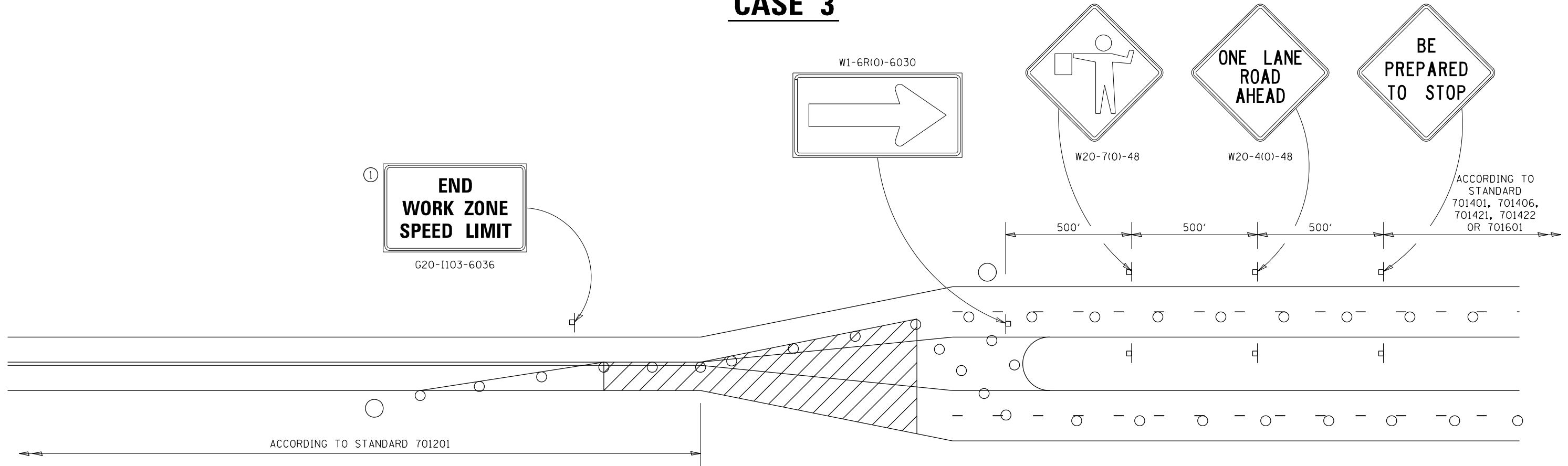
- GENERAL NOTES**
- THIS DETAIL IS TO BE USED IN CONJUNCTION WITH THE APPLICABLE MULTILANE TRAFFIC CONTROL AND PROTECTION STANDARD.
1. If applicable. Use if shown on applicable multilane Traffic Control and Protection Standard being used.
  2. If the work is within 2500 feet of the transition when the speed is > 40 mph, or 1500 feet for all other speeds, the detail shall be used.
  3. WORK ZONE SPEED LIMIT 55 SIGN ASSEMBLY shall be replaced with WORK ZONE SPEED LIMIT 45 SIGN ASSEMBLY where the workers are within 500 feet of the transition.

THIS TRAFFIC CONTROL DETAIL SHALL BE INCLUDED IN THE COST OF SPECIFIED TRAFFIC CONTROL STANDARDS OR ITEMS.

FILE NAME =	USER NAME = dosddd	DESIGNED -	REVISED - 4-20-17	<b>STATE OF ILLINOIS DEPARTMENT OF TRANSPORTATION</b>	<b>REGION 2 / DISTRICT 2 STANDARD</b>	F.A. RTÉ.	SECTION	COUNTY	TOTAL SHEETS	SHEET NO.	
DRAWN						REVISED - 8-27-13	VAR.	D2 BC 2022-3	VARIOUS	11	9
PLOT SCALE = 100.0000' / in.						REVISOR	CONTRACT NO. 64P99				
PLOT DATE = Jul-26-2021 11:01:14 AM						DATE	FED. ROAD DIST. NO. ILLINOIS FED. AID PROJECT				

# TRAFFIC CONTROL FOR TRANSITION AREAS

## CASE 3



**GENERAL NOTES**  
 THIS DETAIL IS TO BE USED IN CONJUNCTION WITH THE APPLICABLE MULTILANE TRAFFIC CONTROL AND PROTECTION STANDARD.

1. If applicable, Use if shown on applicable multilane Traffic Control and Protection Standard being used.
2. If the work is within 2500 feet of the transition when the speed is > 40 mph, or 1500 feet for all other speeds, the detail shall be used.
3. WORK ZONE SPEED LIMIT 55 SIGN ASSEMBLY shall be replaced with WORK ZONE SPEED LIMIT 45 SIGN ASSEMBLY where the workers are within 500 feet of the transition.

THIS TRAFFIC CONTROL DETAIL SHALL BE INCLUDED IN THE COST OF SPECIFIED TRAFFIC CONTROL STANDARDS OR ITEMS.

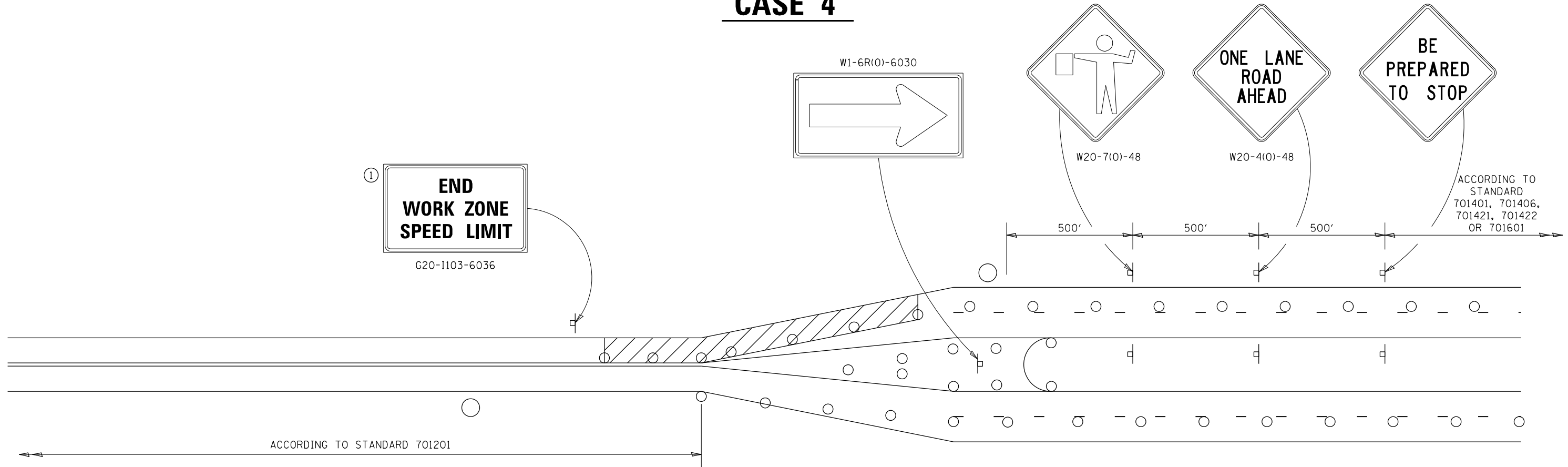
- FLAGGER WITH TRAFFIC CONTROL SIGN
- DRUMS OR BARRICADES WITH LIGHTS
- WORK AREA

NOTE: STANDARDS 701301 AND 701306 SHALL NOT BE USED WITHIN 500 FEET OF THE TRANSITION.

FILE NAME =	USER NAME = dosddd	DESIGNED -	REVISED - 4-20-17	<b>STATE OF ILLINOIS DEPARTMENT OF TRANSPORTATION</b>	<b>REGION 2 / DISTRICT 2 STANDARD</b>	F.A. RTÉ.	SECTION	COUNTY	TOTAL SHEETS	SHEET NO.
DRAWN					<b>CONTRACT NO. 64P99</b>	VAR.	D2 BC 2022-3	VARIOUS	11	10
PLOT SCALE = 100.0000' / in.					<b>CONTRACT NO. 64P99</b>	FED. ROAD DIST. NO. ILLINOIS FED. AID PROJECT				
PLOT DATE = Jul-26-2021 11:01:22 AM		DATE	REVISED - 3-05-12	SCALE: SHEET NO. OF SHEETS STA. TO STA.						

# TRAFFIC CONTROL FOR TRANSITION AREAS

## CASE 4



**GENERAL NOTES**  
 THIS DETAIL IS TO BE USED IN CONJUNCTION WITH THE APPLICABLE MULTILANE TRAFFIC CONTROL AND PROTECTION STANDARD.

1. If applicable, Use if shown on applicable multilane Traffic Control and Protection Standard being used.
2. If the work is within 2500 feet of the transition when the speed is > 40 mph, or 1500 feet for all other speeds, the detail shall be used.
3. WORK ZONE SPEED LIMIT 55 SIGN ASSEMBLY shall be replaced with WORK ZONE SPEED LIMIT 45 SIGN ASSEMBLY where the workers are within 500 feet of the transition.

THIS TRAFFIC CONTROL DETAIL SHALL BE INCLUDED IN THE COST OF SPECIFIED TRAFFIC CONTROL STANDARDS OR ITEMS.

- FLAGGER WITH TRAFFIC CONTROL SIGN
- DRUMS OR BARRICADES WITH LIGHTS
- WORK AREA

NOTE: STANDARDS 701301 AND 701306 SHALL NOT BE USED WITHIN 500 FEET OF THE TRANSITION.

FILE NAME =	USER NAME = dosddd	DESIGNED -	REVISED - 4-20-17	<b>STATE OF ILLINOIS DEPARTMENT OF TRANSPORTATION</b>	<b>REGION 2 / DISTRICT 2 STANDARD</b>	F.A. RTE.	SECTION	COUNTY	TOTAL SHEETS	SHEET NO.	
							VAR.	D2 BC 2022-3	VARIOUS	11	11