

STATE OF ILLINOIS  
DEPARTMENT OF TRANSPORTATION

PROPOSED  
HIGHWAY PLANS

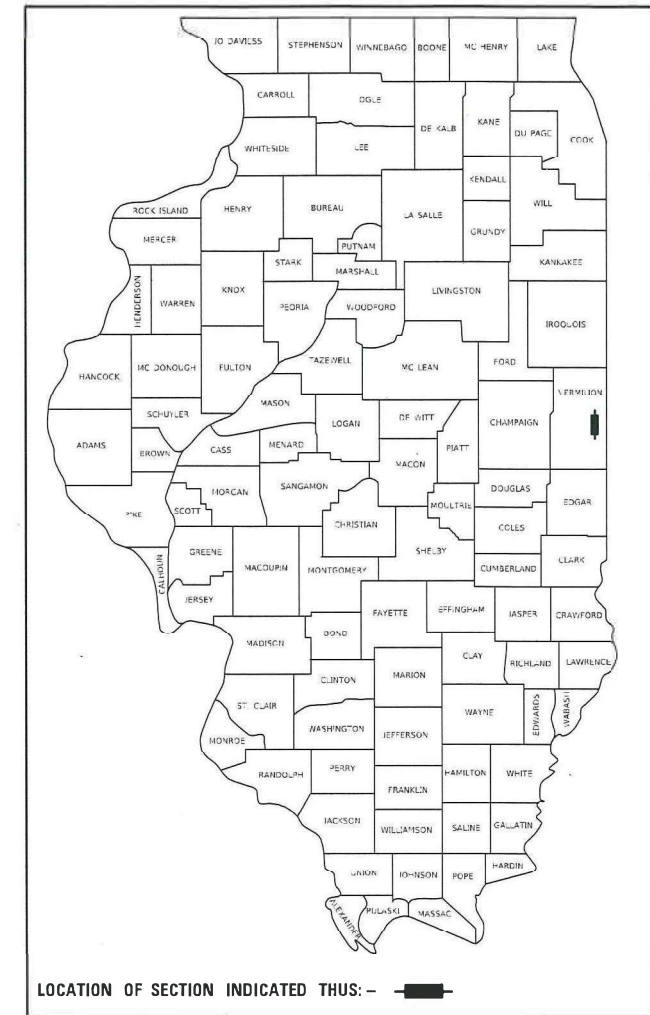
FAP 332 (IL 1/US 150)  
SECTION (47)TS-1  
PROJECT NHPP-ASBK(615)  
TRAFFIC SIGNAL MODERNIZATION  
VERMILION COUNTY

C-95-097-20

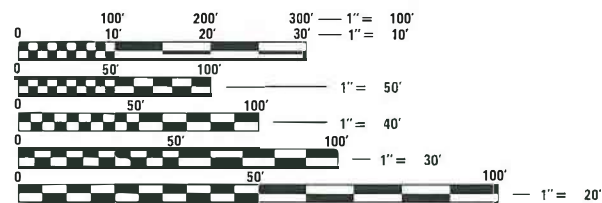
FOR INDEX OF SHEETS, SEE SHEET NO. 2

F.A.P. RTE.	SECTION	COUNTY	TOTAL SHEETS	SHEET NO.
332	(47)TS-1	VERMILION	12	1
		ILLINOIS	CONTRACT NO. 70E93	

D95-030-20



FAP 332 (IL. RTE 1) &  
ROSS LANE



FULL SIZE PLANS HAVE BEEN PREPARED USING STANDARD ENGINEERING SCALES. REDUCED SIZED PLANS WILL NOT CONFORM TO STANDARD SCALES. IN MAKING MEASUREMENTS ON REDUCED PLANS, THE ABOVE SCALES MAY BE USED.

J.U.L.I.E.  
JOINT UTILITY LOCATION INFORMATION FOR EXCAVATORS  
1-800-892-0123  
OR 811

PROJECT ENGINEER: JEFF ALLEN  
PROJECT MANAGER: ROGER BIGGS

CONTRACT NO. 70E93

VILLAGE OF TILTON

STATE OF ILLINOIS  
DEPARTMENT OF TRANSPORTATION

SUBMITTED 8/2 2021  
Kenia A. Barnettson  
REGIONAL ENGINEER

October 1 2021  
[Signature]  
ENGINEER OF DESIGN AND ENVIRONMENT

October 2 2021  
[Signature]  
DIRECTOR OF HIGHWAYS PROJECT IMPLEMENTATION

PRINTED BY THE AUTHORITY  
OF THE STATE OF ILLINOIS

GENERAL NOTES

GN 105.07C  
 EXISTING STATE-OWNED AND MAINTAINED UNDERGROUND UTILITY FACILITIES EXIST WITHIN THE ROW. THE DEPARTMENT IS NOT A MEMBER OF JULIE AND DOES NOT LOCATE IT'S OWN FACILITIES. THE CONTRACTOR SHALL BE RESPONSIBLE AT THEIR OWN EXPENSE FOR SECURING AN APPROVED LOCATING FIRM TO LOCATE ALL EXISTING IDOT UNDERGROUND FACILITIES PRIOR TO COMMENCING ANY EXCAVATION, PER THE REQUIREMENTS OF ARTICLE 803 OF THE STANDARD SPECIFICATIONS. UTILITY LOCATES MAY ALSO BE REQUIRED OUTSIDE THE PROJECT LIMITS, SUCH AS FOR TRAFFIC CONTROL SIGNING AND OTHER ITEMS. THE CONTRACTOR MAY OBTAIN, ON REQUEST, PLANS OF EXISTING ELECTRICAL FACILITIES FROM THE DEPARTMENT. FOR FURTHER INFORMATION, THE CONTRACTOR MAY CONTACT THE DISTRICT TRAFFIC OPERATIONS ENGINEER, GARY SIMS, AT 217-251-4859.

INDEX OF SHEETS

- 1 COVER SHEET
- 2 GENERAL NOTES, TRAFFIC SIGNAL GENERAL NOTES, STANDARDS TO BE INCLUDED IN PLANS,
- 3 - 6 SUMMARY OF QUANTITIES
- 7 SCHEDULE OF QUANTITIES
- 8 TRAFFIC SIGNAL LAYOUT
- 9 TRAFFIC SIGNAL CONDUIT LAYOUT
- 10 TRAFFIC SIGNAL CABLE LAYOUT
- 11 BILL OF MATERIALS, PHASE DESIGNATION DIAGRAM, DETECTOR LOOP DATA CHART
- 12 DETAILS

TRAFFIC SIGNAL GENERAL NOTES

- 1 THE ACTUAL LOCATION OF ALL SIGNAL FOUNDATIONS, HANDHOLES, AND TRAFFIC CONTROLLER WILL BE DETERMINED IN THE FIELD BY THE ENGINEER.
- 2 THE FINAL LOCATIONS OF ALL TRAFFIC CONTROL ITEMS SHALL BE VERIFIED BY THE ENGINEER IN THE FIELD.
- 3 POST MOUNTED SIGNALS SHALL BE INSTALLED SO THAT NO PART OF THE SIGNAL HEAD IS WITHIN 2 FT. OF THE FACE OF CURB.
- 4 ALL MAST ARM POLES SHALL BE A MINIMUM OF 6 FT. FROM THE CENTER OF THE POLE TO THE FACE OF CURB (ON THE MAST ARM SIDE) OR AS SHOWN ON THE PLANS.
- 5 COMBINATION MAST ARM ASSEMBLIES SHALL BE FURNISHED WITH 15' LUMINAIRE TRUSS ARMS WITH A MOUNTED LUMINAIRE HEIGHT OF 40 FT.
- 6 ALL TRAFFIC SIGNAL MAST ARMS MUST BE DESIGNED FOR THE LOADINGS SHOWN ON THE HIGHWAY STANDARDS OR THESE SIGNAL PLANS, WHICHEVER IS GREATER.
- 7 SIGNAL FACES FOR THE NORTH APPROACH ARE NOTED AS "A","B" FOR THE SOUTH APPROACH,"C" FOR THE WEST APPROACH, AND "D" FOR THE EAST APPROACH.
- 8 ALIGN ADJACENT RED INDICATIONS TO SAME HEIGHT ABOVE PAVEMENT.
- 9 THE BASE FOR A TRAFFIC SIGNAL POST SHALL BE SITUATED SUCH THAT THE HANDHOLE IS LOCATED ON A SIDE AWAY FROM A TRAVELED LANE.
- 10 PEDESTRIAN PUSHBUTTON SIGNAL SIGNS SHALL BE MOUNTED ABOVE THE APPROPRIATE PEDESTRIAN PUSHBUTTON.
- 11 ITEMS REMOVED WILL BECOME THE PROPERTY OF THE CONTRACTOR UNLESS OTHERWISE NOTED ON THE PLANS.
- 12 THE CONTRACTOR SHALL BE RESPONSIBLE FOR OBTAINING ELECTRICAL SERVICE FOR THE TRAFFIC SIGNALS. THE CONTRACTOR SHALL CONTACT THE UTILITY COMPANY PRIOR TO COMMENCEMENT OF WORK TO OBTAIN UTILITY COMPANY REQUIREMENTS FOR THE SERVICE INSTALLATION
- 13 THE CONTRACTOR SHALL SUPPLY AND MOUNT SUPPLEMENTAL SIGNS BY THE MASTARM MOUNTED FYA SIGNAL HEADS STATING "LEFT TURN YIELD ON FLASHING YELLOW ARROW" (R10-I109 AS SHOWN IN THE ILLINOIS STANDARD HIGHWAY SIGNS BOOK - JULY 1, 2014)

STANDARDS TO BE INCLUDED IN THE PLANS

- 000001-08 STANDARD SYMBOLS, ABBREVIATIONS AND PATTERNS
- 001001-02 AREAS OF REINFORCEMENT BARS
- 001006 DECIMAL OF AN INCH AND OF A FOOT
- 701101-05 OFF-ROAD OPERATIONS, MULTILANE, MORE THAN 15' (4.5 m) TO 24" (600 MM) FROM PAVMENT EDGE
- 701106-02 OFF-ROAD OPERATIONS, MULTILANE, 15' (4.5 m) TO 24" (600 MM) FROM PAVEMENT EDGE
- 701602-10 URBAN LANE CLOSURE, MULTILANE, 2W WITH BIDIRECTIONAL LEFT TURN LANE
- 701701-10 URBAN LANE CLOSURE, MULTILANE INTERSECTION
- 701801-06 SIDEWALK CORNER OR CROSSWALK CLOSURE
- 701901-08 TRAFFIC CONTROL DEVICES
- 720016-04 MAST ARM MOUNTED STREET NAME SIGNS
- 780001-05 TYPICAL PAVEMENT MARKINGS
- 805001-01 ELECTRICAL SERVICE INSTALLATION DETAILS
- 814001-03 HANDHOLES
- 814006-03 DOUBLE HANDHOLES
- 821101-02 LUMINAIRE WIRING IN POLE
- 857001-01 STANDARD PHASE DESIGNATION DIAGRAMS AND PHASE SEQUENCES
- 862001-01 UNINTERRUPTABLE POWER SUPPLY
- 873001-02 TRAFFIC SIGNAL GROUNDING & BONDING
- 876001-04 PEDESTRIAN PUSH BUTTON POST
- 877001-08 STEEL MAST ARM ASSEMBLY AND POLE 16' THROUGH 55'
- 877011-10 STEEL COMB. MAST ARM ASSEMBLY AND POLE 16' THROUGH 55'
- 878001-11 CONCRETE FOUNDATION DETAILS
- 880006-01 TRAFFIC SIGNAL MOUNTING DETAILS

**STATE OF ILLINOIS  
 DEPARTMENT OF TRANSPORTATION**

**GENERAL NOTES, INDEX OF SHEETS &  
 STANDARDS TO BE INCLUDED IN PLANS**

SCALE: SHEET 1 OF 1 SHEETS STA. TO STA.

F.A.P. RTE.	SECTION	COUNTY	TOTAL SHEETS	SHEET NO.
332	(47)TS-1	VERMILION	12	2
CONTRACT NO. 70E93			ILLINOIS FED. AID PROJECT	

MODEL: #40DELNAME\$  
 FILE NAME: P:\upm\gcam.dat Illinois.gov\PROJECTS\DOT\Documents\DOT\Office\District 5\Projects\0570E93\CADD\data\Design\0570E93-07-sht-Signals\_005.dgn

# SUMMARY OF QUANTITIES

SHEET 1 OF 4

LOCATION OF WORK:

FAP 332  
U.S. 150/IL.1  
GEORGETOWN RD.  
&  
ROSS LANE  
TILTON  
VERMILION  
80% FED  
20% STATE  
0021  
URBAN

FAP 332  
U.S. 150/IL.1  
GEORGETOWN RD.  
&  
ROSS LANE  
TILTON  
VERMILION  
100% CITY  
0021  
URBAN

COUNTY:

FUNDING BREAKOUT:

CONSTRUCTION TYPE CODE:

ITEM	UNIT	TOTAL QUANTITY	QUANTITY	QUANTITY
* 66900200	NON-SPECIAL WASTE DISPOSAL	CU YD	12.0	12.0
* 66900530	SOIL DISPOSAL ANALYSIS	EACH	1.0	1.0
* 66901001	REGULATED SUBSTANCES PRE-CONSTRUCTION PLAN	LSUM	1.0	1.0
* 66901003	REGULATED SUBSTANCES FINAL CONSTRUCTION REPORT	LSUM	1.0	1.0
* 66901006	REGULATED SUBSTANCES MONITORING	CAL DA	4.0	4.0
67100100	MOBILIZATION	L SUM	1.0	1.0
70102632	TRAFFIC CONTROL AND PROTECTION, STANDARD 701602	L SUM	1.0	1.0
70102635	TRAFFIC CONTROL AND PROTECTION, STANDARD 701701	L SUM	1.0	1.0
70102640	TRAFFIC CONTROL AND PROTECTION, STANDARD 701801	L SUM	1.0	1.0
80500100	SERVICE INSTALLATION, TYPE A	EACH	1.0	1.0
81028350	. UNDERGROUND CONDUIT, PVC, 2" DIA.	FOOT	167.0	167.0
81028360	UNDERGROUND CONDUIT, PVC, 2 1/2" DIA.	FOOT	121.0	121.0
81028370	UNDERGROUND CONDUIT, PVC, 3" DIA.	FOOT	169.0	169.0

\*= SPECIALTY ITEM

MODEL: \\MODELNAME\$ FILE: \\NAME\$.prt \\ipartcom.dct \\illinois.gov \\PVDOT\Documents\DOT - Offices\District 5\Projects\0570E93\CADD\Drawings\0570E93-01-Signals-Ross Lane.dgn

USER NAME = biggsrd	DESIGNED -	REVISED -
PLOT SCALE = 40.0000' / in.	DRAWN -	REVISED -
PLOT DATE = 8/10/2021	CHECKED -	REVISED +
	DATE -	REVISED +

**STATE OF ILLINOIS  
DEPARTMENT OF TRANSPORTATION**

**SUMMARY OF QUANTITIES**

SCALE: SHEET 1 OF 4 SHEETS STA. TO STA.

F.A.P. RTE.	SECTION	COUNTY	TOTAL SHEETS	SHEET NO.
332	(47)TS-1	VERMILION	12	3
			CONTRACT NO. 70E93	
ILLINOIS FED. AID PROJECT				

REV. 9/14/21 REV. 9/3/21

# SUMMARY OF QUANTITIES

SHEET 2 OF 4

LOCATION OF WORK:         COUNTY: FUNDING BREAKOUT:  CONSTRUCTION TYPE CODE:	FAP 332 U.S. 150/IL.1 GEORGETOWN RD. & ROSS LANE TILTON VERMILION 80% FED 20% STATE 0021 URBAN	FAP 332 U.S. 150/IL.1 GEORGETOWN RD. & ROSS LANE TILTON VERMILION 100% CITY         0021 URBAN
--	--	---

	ITEM	UNIT	TOTAL QUANTITY	QUANTITY	QUANTITY
	81028390 UNDERGROUND CONDUIT, PVC, 4" DIA.	FOOT	120.0	120.0	
	81400100 HANDHOLE	EACH	3.0	3.0	
	81400300 DOUBLE HANDHOLE	EACH	1.0	1.0	
	81500130 GULFBOX JUNCTION REMOVAL	EACH	1.0	1.0	
	81702110 ELECTRIC CABLE IN CONDUIT, 600V (XLP-TYPE USE) 1/C NO. 10	FOOT	864.0		864.0
	82110008 LUMINAIRE, LED, ROADWAY, OUTPUT DESIGNATION H	EACH	2.0		2.0
	85700200 FULL-ACTUATED CONTROLLER AND TYPE IV CABINET	EACH	1.0	1.0	
	86200200 UNINTERRUPTABLE POWER SUPPLY, STANDARD	EACH	1.0	1.0	
	87301225 ELECTRIC CABLE IN CONDUIT, SIGNAL NO. 14 3C	FOOT	431.0	431.0	
	87301245 ELECTRIC CABLE IN CONDUIT, SIGNAL NO. 14 5C	FOOT	2100.0	2100.0	
	87301255 ELECTRIC CABLE IN CONDUIT, SIGNAL NO. 14 7C	FOOT	815.0	815.0	
	87301805 ELECTRIC CABLE IN CONDUIT, SERVICE, NO. 6 2 C	FOOT	37.0	37.0	
	87301900 ELECTRIC CABLE IN CONDUIT, EQUIPMENT GROUNDING CONDUCTOR, NO. 6 1C	FOOT	633.0	633.0	
	87502660 TRAFFIC SIGNAL POST, ALUMINUM 12 FT.	EACH	2.0	2.0	

MODEL: \\MODELNAME\$  
 FILE: \\FILENAME\$  
 PROJECT: \\PROJECTNAME\$  
 OFFICE: \\OFFICE\$  
 DESIGNED: \\DESIGNED\$  
 DRAWN: \\DRAWN\$  
 CHECKED: \\CHECKED\$  
 DATE: \\DATE\$

USER NAME = biggsrd	DESIGNED -	REVISED -
	DRAWN -	REVISED -
PLOT SCALE = 40.0000 ' / in.	CHECKED -	REVISED +
PLOT DATE = 8/10/2021	DATE -	REVISED +

**STATE OF ILLINOIS  
DEPARTMENT OF TRANSPORTATION**

**SUMMARY OF QUANTITIES**

SCALE: SHEET 2 OF 4 SHEETS STA. TO STA.

F.A.P. RTE.	SECTION	COUNTY	TOTAL SHEETS	SHEET NO.
332	(47)TS-1	VERMILION	12	4
			CONTRACT NO. 70E93	
ILLINOIS FED. AID PROJECT				

# SUMMARY OF QUANTITIES

SHEET 3 OF 4

LOCATION OF WORK:

FAP 332  
U.S. 150/IL.1  
GEORGETOWN RD.  
&  
ROSS LANE  
TILTON  
VERMILION  
80% FED  
20% STATE  
0021  
URBAN

FAP 332  
U.S. 150/IL.1  
GEORGETOWN RD.  
&  
ROSS LANE  
TILTON  
VERMILION  
100% CITY  
0021  
URBAN

COUNTY:

FUNDING BREAKOUT:

CONSTRUCTION TYPE CODE:

	<u>ITEM</u>	<u>UNIT</u>	<u>TOTAL QUANTITY</u>	<u>QUANTITY</u>	<u>QUANTITY</u>
87502700	TRAFFIC SIGNAL POST, ALUMINUM 16 FT.	EACH	2.0	2.0	
87601200	PEDESTRIAN PUSH BUTTON POST, GALVANIZED STEEL, TYPE II	EACH	2.0	2.0	
87700170	STEEL MAST ARM ASSEMBLY AND POLE, 26 FT.	EACH	2.0	2.0	
87702985	STEEL COMBINATION MAST ARM ASSEMBLY AND POLE 52 FT.	EACH	1.0	1.0	
87702990	STEEL COMBINATION MAST ARM ASSEMBLY AND POLE 54 FT.	EACH	1.0	1.0	
87800100	CONCRETE FOUNDATION, TYPE A	FOOT	12.4	12.4	
87800150	CONCRETE FOUNDATION, TYPE C	FOOT	3.5	3.5	
87800400	CONCRETE FOUNDATION, TYPE E 30-INCH DIAMETER	FOOT	20.0	20.0	
87800415	CONCRETE FOUNDATION, TYPE E 36-INCH DIAMETER	FOOT	30.0	30.0	
88040070	SIGNAL HEAD, POLYCARBONATE, LED, 1-FACE, 3-SECTION, BRACKET MOUNTED	EACH	2.0	2.0	
88040090	SIGNAL HEAD, POLYCARBONATE, LED, 1-FACE, 3-SECTION, MAST ARM MOUNTED	EACH	8.0	8.0	
88040120	SIGNAL HEAD, POLYCARBONATE, LED, 1-FACE, 4-SECTION, MAST ARM MOUNTED	EACH	2.0	2.0	
88040250	SIGNAL HEAD, POLYCARBONATE, LED, 2-FACE, 1-3 SECTION, 1-4 SECTION, BRACKET MOUNTED	EACH	2.0	2.0	
88102825	PEDESTRIAN SIGNAL HEAD, POLYCARBONATE, LED, 1-FACE, BRACKET MOUNTED WITH COUNT DOWN TIMER	EACH	2.0	2.0	

MODEL: I:\MODEL\NAME: FILE: NAME: P:\pub\mcom\m.dat: ILLINDOT\Documents\DOT - Office\District 5\Projects\0570E93\CADDData\Design\0570E93-2ht-Signals\_Ross\_Lane.dgn

USER NAME = biggsrd	DESIGNED -	REVISED -
	DRAWN -	REVISED -
PLOT SCALE = 40,0000 * / in.	CHECKED -	REVISED -
PLOT DATE = 8/10/2021	DATE -	REVISED -

**STATE OF ILLINOIS  
DEPARTMENT OF TRANSPORTATION**

**SUMMARY OF QUANTITIES**

SCALE: SHEET 3 OF 4 SHEETS STA. TO STA.

F.A.P. RTE.	SECTION	COUNTY	TOTAL SHEETS	SHEET NO.
332	(47)TS-1	VERMILION	12	5
CONTRACT NO. 70E93				
ILLINOIS FED. AID PROJECT				

# SUMMARY OF QUANTITIES

SHEET 4 OF 4

LOCATION OF WORK:     COUNTY: FUNDING BREAKOUT:  CONSTRUCTION TYPE CODE:	FAP 332 U.S. 150/IL.1 GEORGETOWN RD. & ROSS LANE TILTON VERMILION 80% FED 20% STATE 0021 URBAN	FAP 332 U.S. 150/IL.1 GEORGETOWN RD. & ROSS LANE TILTON VERMILION 100% CITY 0021 URBAN
--	--	---

ITEM	UNIT	TOTAL QUANTITY	QUANTITY	QUANTITY
88200510	TRAFFIC SIGNAL BACKPLATE, RETROREFLECTIVE	EACH	16.0	16.0
89502375	REMOVE EXISTING TRAFFIC SIGNAL EQUIPMENT	EACH	1.0	1.0
89502380	REMOVE EXISTING HANDHOLE	EACH	6.0	6.0
89502382	REMOVE EXISTING DOUBLE HANDHOLE	EACH	1.0	1.0
89502385	REMOVE EXISTING CONCRETE FOUNDATION	EACH	9.0	9.0
X0326266	ETHERNET SWITCH	EACH	1.0	1.0
X1400012	REMOVE AND REINSTALL FIBER OPTIC CABLE IN CONDUIT	FOOT	14.0	14.0
X1400351	WOOD POLE, 35 FT, CLASS 4	EACH	1.0	1.0
X8760200	ACCESSIBLE PEDESTRIAN SIGNALS	EACH	2.0	2.0
X1400399	VIDEO DETECTION SYSTEM COMPLETE	EACH	1.0	1.0

MODEL: \\MODELNAME\$  
 FILE: \\MODELNAME\$

USER NAME = biggsrd PLOT SCALE = 40.0000' / in. PLOT DATE = 8/10/2021	DESIGNED - DRAWN - CHECKED - DATE -	REVISED - REVISED - REVISED + REVISED +	<b>STATE OF ILLINOIS DEPARTMENT OF TRANSPORTATION</b>	<b>SUMMARY OF QUANTITIES</b>	SCALE:	SHEET 4 OF 4 SHEETS STA. TO STA.	F.A.P. RTE. 332 SECTION (47)TS-1 COUNTY VERMILION TOTAL SHEETS 12 SHEET NO. 6 CONTRACT NO. 70E93 ILLINOIS FED. AID PROJECT
---	--	--	---	------------------------------	--------	----------------------------------	--

# SCHEDULES

HANDHOLE

STA. 2988+73.5; 77.5' LT.	1.0	EACH
STA. 2988+74.2; 70.1 RT.	1.0	EACH
STA. 2989+55.7; 57.4' LT.	1.0	EACH
TOTAL = 3.0 EACH		

CONCRETE FOUNDATION, TYPE A

STA. 2988+44.6; 48.5' RT.	3.1	FEET
STA. 2988+71.8; 67.8' LT.	3.1	FEET
STA. 2989+41.9; 81.7' RT.	3.1	FEET
STA. 2989+67.0; 43.7' LT.	3.1	FEET
TOTAL = 12.4 FEET		

TRAFFIC SIGNAL POST, ALUMINUM 12 FT.

STA. 2988+71.8; 67.8' LT.	1.0	EACH
STA. 2989+41.9; 81.7' RT.	1.0	EACH
TOTAL = 2.0 EACH		

TRAFFIC SIGNAL POST, ALUMINUM 16 FT.

STA. 2988+44.6; 48.5' RT.	1.0	EACH
STA. 2989+67.0; 43.7' LT.	1.0	EACH
TOTAL = 2.0 EACH		

CONCRETE FOUNDATION, TYPE E 30" DIA.

STA. 2988+77.3; 81.6' RT.	10.0	FEET
STA. 2989+44.9; 75.3' LT.	10.0	FEET
TOTAL = 20.0 FEET		

STEEL MAST ARM ASSEMBLY AND POLE, 26 FT.

STA. 2988+77.3; 81.6' RT.	1.0	EACH
STA. 2989+44.9; 75.3' LT.	1.0	EACH
TOTAL = 2.0 EACH		

CONCRETE FOUNDATION, TYPE E 36" DIA.

STA. 2988+33.7; 53.7' LT.	15.0	FEET
STA. 2989+82.6; 55.0' RT.	15.0	FEET
TOTAL = 30.0 FEET		

STEEL COMBINATION MAST ARM AND POLE 52 FT

STA. 2988+33.7; 53.7' LT.	1.0	EACH
---------------------------	-----	------

STEEL COMBINATION MAST ARM AND POLE 54 FT

STA. 2989+82.6; 55.0' RT.	1.0	EACH
---------------------------	-----	------

GULFBOX JUNCTION REMOVAL

STA. 2984+72; 41.0' RT.	1.0	EACH
-------------------------	-----	------

REMOVE EXISTING HANDHOLE

STA. 2986+60.0; 39.4' RT.	1.0	EACH
STA. 2988+55.5; 54.2' LT.	1.0	EACH
STA. 2988+60.6; 60.8' RT.	1.0	EACH
STA. 2989+51.9; 52.8' LT.	1.0	EACH
STA. 2991+39.2; 41.5' LT.	1.0	EACH
STA. 2993+43.7; 41.1' LT.	1.0	EACH
TOTAL = 6.0 EACH		

REMOVE EXISTING CONCRETE FOUNDATION

STA. 2988+35.7; 46.4' RT.	1.0	EACH
STA. 2988+40.9; 52.8' LT.	1.0	EACH
STA. 2988+67.2; 63.0' LT.	1.0	EACH
STA. 2988+72.2; 75.0' RT.	1.0	EACH
STA. 2989+45.0; 70.3' LT.	1.0	EACH
STA. 2989+51.1; 71.8' RT.	1.0	EACH
STA. 2989+54.9; 60.7' RT.	1.0	EACH
STA. 2989+71.0; 42.0' LT.	1.0	EACH
STA. 2989+77.4; 53.0' RT.	1.0	EACH
TOTAL = 9.0 EACH		

PEDESTRIAN PUSH BUTTON POST, GALVANIZED STEEL, TY 2 PEDESTRIAN PUSH BUTTON

STA. 2988+71.8; 67.8' LT.	1.0	EACH
STA. 2989+56.7; 49.7' LT.	1.0	EACH
TOTAL = 2.0 EACH		

MODEL: \\MODEL\MAME  
 FILE NAME: \\PUB\caw\beadefy.com\FW\DOT\Documents\DOT Office\Dir\dir\_5\Project\0570E93\CADD\data\Design\0570E93-sht-Schedule\_Ross\_Lane.dgn

USER NAME = bliggsrd	DESIGNED -	REVISED -
	DRAWN -	REVISED -
PLOT SCALE = 40,0000 * / in.	CHECKED -	REVISED -
PLOT DATE = 9/7/2021	DATE -	REVISED -

**STATE OF ILLINOIS  
DEPARTMENT OF TRANSPORTATION**

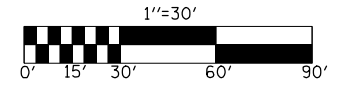
<b>SCHEDULE OF QUANTITIES</b>			
SCALE:	SHEET 1	OF 1 SHEETS	STA. TO STA.

F.A.P. RTE.	SECTION	COUNTY	TOTAL SHEETS	SHEET NO.
332	(47)TS-1	VERMILION	12	7
CONTRACT NO. 70E93				
ILLINOIS FED. AID PROJECT				

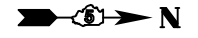
# TRAFFIC SIGNAL INSTALLATION

F.A.P. 1 (IL. Rte. 1/Georgetown Rd.)

&  
Ross Lane



## SIGNAL LAYOUT



REM. EXIST. HANDHOLE = 1 EA.  
STA. 2993+43.7  
41.1' LT.

REM. EXIST. HANDHOLE = 1 EA.  
HANDHOLE = 1 EA.  
STA. 2991+39.2  
41.5' LT.

CONC. FND. TY. A  
TS POST A 16'  
STA. 2989+67.0  
43.7 LT.

PED. PUSH-BUTTON POST, TY. 2  
STA. 2989+56.7  
49.7

HANDHOLE  
STA. 2989+55.7  
57.4' LT.

CONC. FND TY. E 30"  
(10' - 0")  
STA. 2989+44.9  
75.3' LT.

HANDHOLE  
STA. 2988+73.5  
77.5' LT.

CONC. FND. TY. A  
TS POST A 12'  
STA. 2988+71.8  
67.8' LT.

PED. PUSH-BUTTON POST, TY. 2  
STA. 2988+51.7  
51.7' LT.

CONC. FND. TY. E 36"  
(15' - 0")  
STA. 2988+33.7  
53.7' LT.

IL. 1/GEORGETOWN RD.

IL. 1/GEORGETOWN RD.

STA. 13+37.44  
ROSS LANE

STA. 2989+14.03  
IL. 1/GEORGETOWN RD.

DOUBLE HANDHOLE  
STA. 2989+62.5  
61.0' RT.

CONC. FND. TY. E 36"  
(15' - 0")  
STA. 2989+82.6  
55.0' RT.

EXIST. HANDHOLE W/  
FIBER OPTIC CABLE SLACK  
TO BE DISCONNECTED FROM  
EXIST. CABINET AND RECONNECTED  
TO PROPOSED CABINET

SERVICE INSTALLATION, TY. A  
WOOD POLE, 35 FT., CLASS 4  
STA. 2989+50.8  
83.3' RT.

CONC. FND. TY. A  
TS POST A 12'  
STA. 2989+41.9  
81.7' RT.

CONC. FND. TY. C  
FULL-ACT. CONT. & CAB. TY. 4  
UNINTER. POWER SUP. (STD.)  
ETHERNET SWITCH  
STA. 2989+65.8  
64.2' RT.

CONC. FND. TY. E 30"  
(10' - 0")  
STA. 2988+77.3  
81.6' RT.

HANDHOLE  
STA. 2988+74.2  
70.1' RT.

CONC. FND. TY. A  
TS POST A 14'  
STA. 2988+44.6  
48.5' RT.

REM. EXIST. HANDHOLE = 1 EA.  
HANDHOLE = 1 EA.  
STA. 2986+60.0  
39.4' RT.

REM. GULFBOX JUNC. = 1 EA.  
HANDHOLE = 1 EA.  
STA. 2984+72.0  
41.0' RT.

## LEGEND

- PROPOSED CONTROLLER AND CABINET
- PROPOSED SIGNAL HEAD AND POST
- PROPOSED MAST ARM ASSEMBLY, SIGNAL HEAD, BACKPLATE
- PROPOSED MAST ARM DAMPENING DEVICE
- PROPOSED HANDHOLE
- PROPOSED DOUBLE HANDHOLE
- PROPOSED PEDESTRIAN SIGNAL HEAD
- PROPOSED PEDESTRIAN PUSHBUTTON
- PROPOSED SERVICE INSTALLATION

STATE OF ILLINOIS  
DEPARTMENT OF TRANSPORTATION

TRAFFIC SIGNAL LAYOUT

SCALE: 1" = 30' SHEET 1 OF 1 SHEETS STA. TO STA.

F.A.P. RTE.	SECTION	COUNTY	TOTAL SHEETS	SHEET NO.
332	(47)TS-1	VERMILION	12	8
CONTRACT NO. 70E93				

ILLINOIS FED. AID PROJECT

MODEL: \\MODEL\MAME  
 FILE NAME: \\pub\cpx\beadefy.com\PI\DOT\Documents\DOT Office\Dir\drct\_5\Project\0570893\CD\DATA\Design\0570893-sht-SignalR-Ross Lane.dgn  
 PROJECT: 0570893\CD\DATA\Design\0570893-sht-SignalR-Ross Lane.dgn

USER NAME = biggsrd	DESIGNED -	REVISED -
	DRAWN -	REVISED -
PLOT SCALE = 30,0000 */ in.	CHECKED -	REVISED -
PLOT DATE = 9/7/2021	DATE -	REVISED -



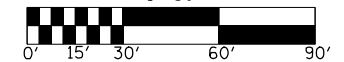
# TRAFFIC SIGNAL INSTALLATION

F.A.P. 1 (IL. Rte. 1/Georgetown Rd.)

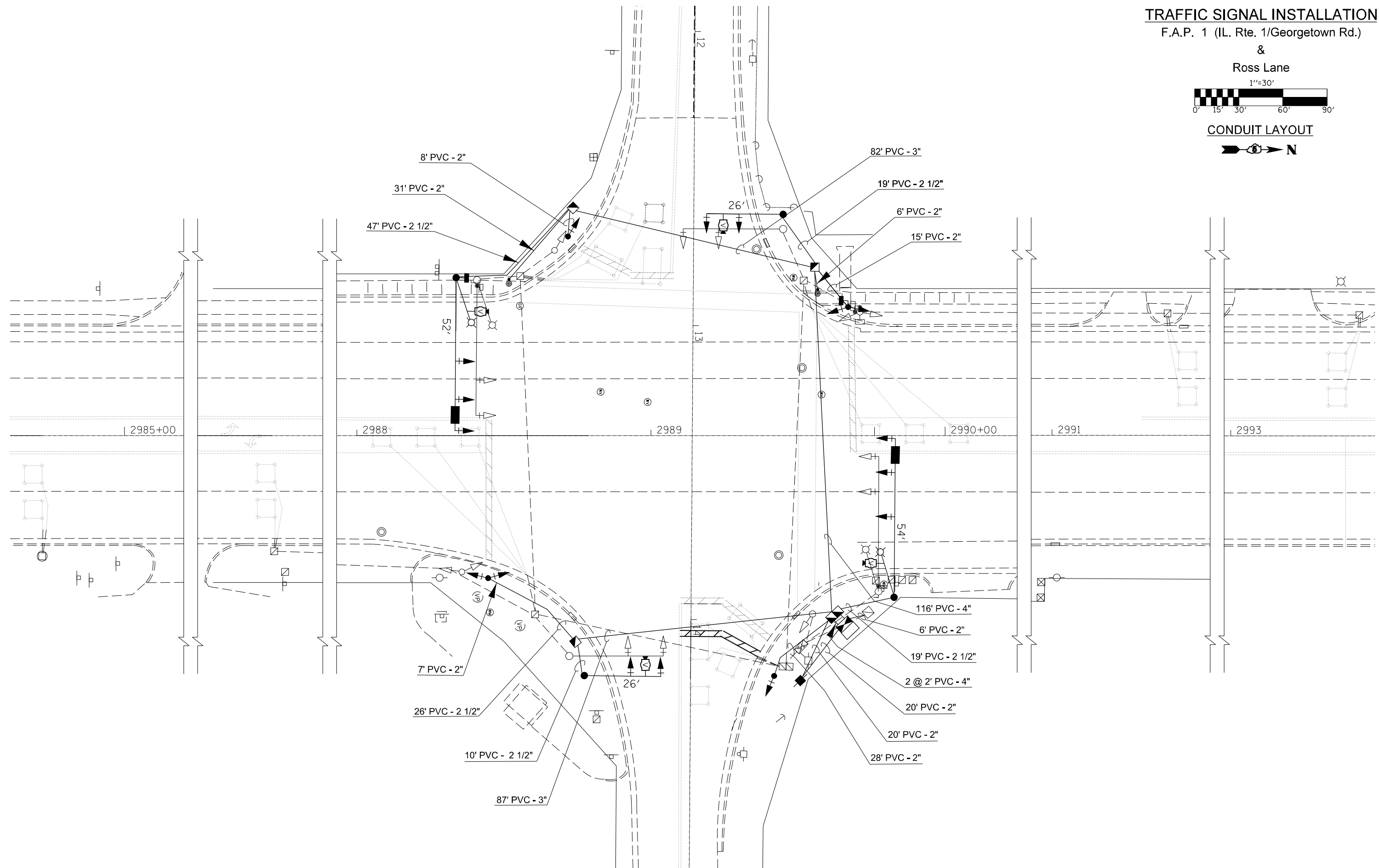
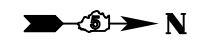
&

Ross Lane

1"=30'



## CONDUIT LAYOUT



MODEL: \\MODEL\MAME  
 FILE NAME: p:\pub\ecw\beadefy.com\FW\DOT\Documents\DOT Office\Dir\drct\_5\Project\0570E93\CADD\data\Design\0570E93-ent-Signal-Ross\_Lane.dgn

USER NAME = bliggsrd	DESIGNED -	REVISED -
	DRAWN -	REVISED -
PLOT SCALE = 30,0000 * / in.	CHECKED -	REVISED -
PLOT DATE = 9/7/2021	DATE -	REVISED -

**STATE OF ILLINOIS  
DEPARTMENT OF TRANSPORTATION**

### TRAFFIC SIGNAL CONDUIT LAYOUT

SCALE: 1" = 30' SHEET 1 OF 1 SHEETS STA. TO STA.

F.A.P. RTE.	SECTION	COUNTY	TOTAL SHEETS	SHEET NO.
332	(47)TS-1	VERMILION	12	9
CONTRACT NO. 70E93				
ILLINOIS FED. AID PROJECT				

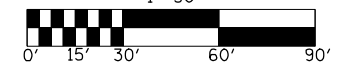
# TRAFFIC SIGNAL INSTALLATION

F.A.P. 1 (IL. Rte. 1/Georgetown Rd.)

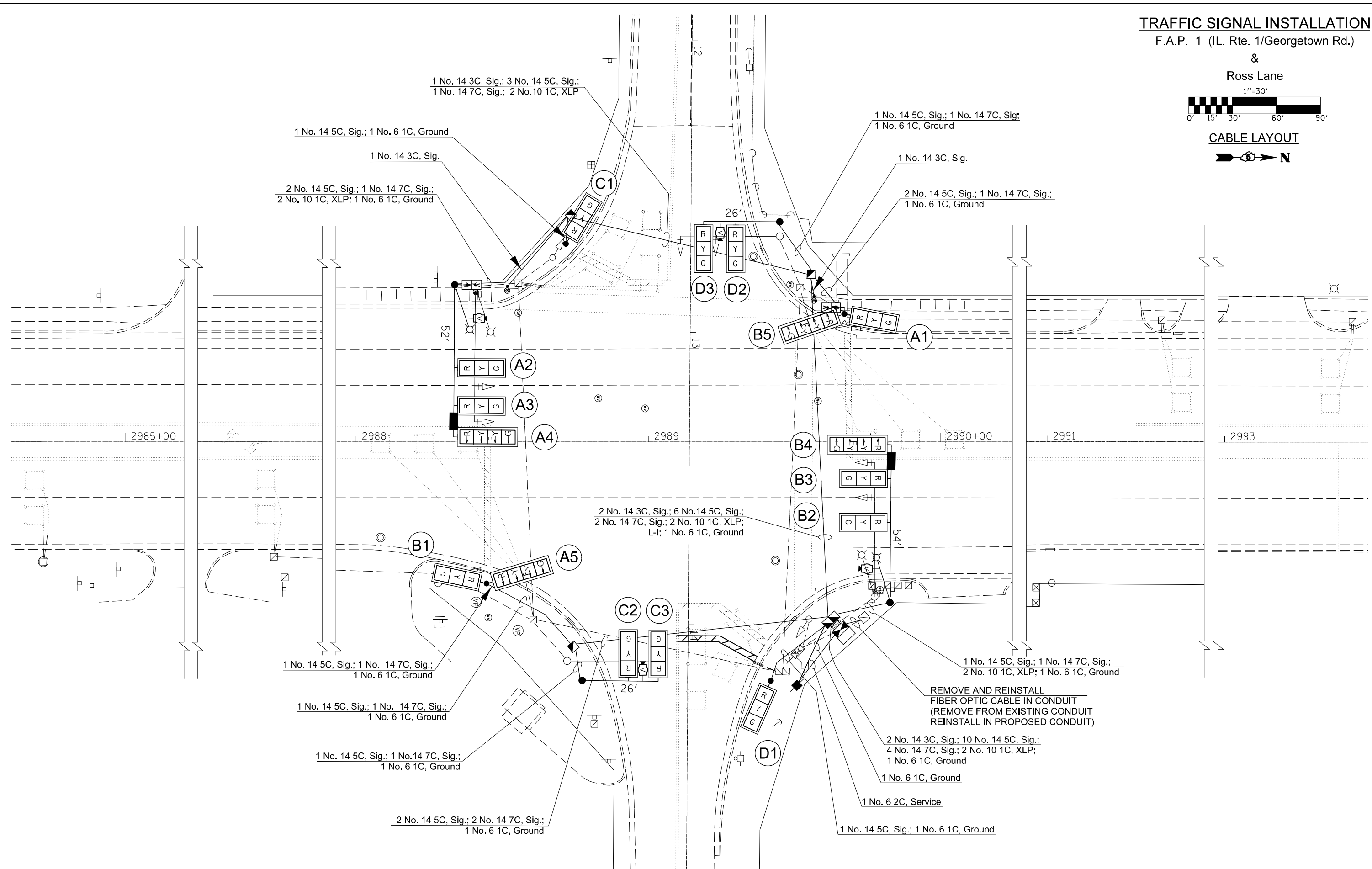
&

Ross Lane

1"=30'



## CABLE LAYOUT



MODEL: \\MODEL\MAMF  
 FILE NAME: p:\pub\caw\beadefy.com\FWIDOT\Documents\DOT Office\Dir\drct. S\Project\0570E93\CADD\data\Design\0570E93-sht-Signal-Ross\_Lane.dgn  
 PROJECT: 0570E93\CADD\data\Design\0570E93-sht-Signal-Ross\_Lane.dgn

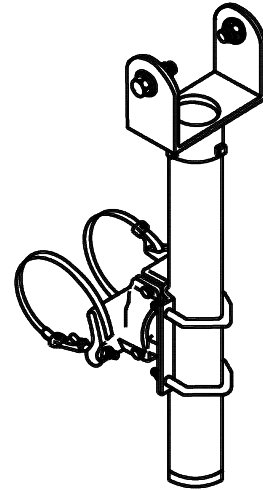
USER NAME = biggsrd	DESIGNED -	REVISED -
	DRAWN -	REVISED -
PLOT SCALE = 30,0000 */ in.	CHECKED -	REVISED -
PLOT DATE = 9/7/2021	DATE -	REVISED -

**STATE OF ILLINOIS  
DEPARTMENT OF TRANSPORTATION**

<b>TRAFFIC SIGNAL CABLE LAYOUT</b>	
SCALE: 1" = 30'	SHEET 1 OF 1 SHEETS STA. TO STA.

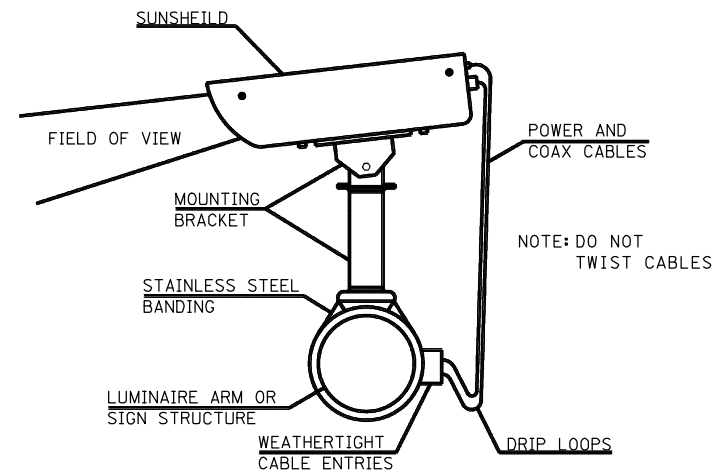
F.A.P. RTE.	SECTION	COUNTY	TOTAL SHEETS	SHEET NO.
332	(47)TS-1	VERMILION	12	10
CONTRACT NO. 70E93				
ILLINOIS FED. AID PROJECT				

**VIDEO DETECTION CAMERA BRACKET  
(MAST ARM MOUNTED)**



NOTE: CLAMP SCREW KIT SHALL BE STAINLESS STEEL.

**VIDEO CAMERA MOUNTING DETAIL  
(LUMINAIRE ARM MOUNTED)**

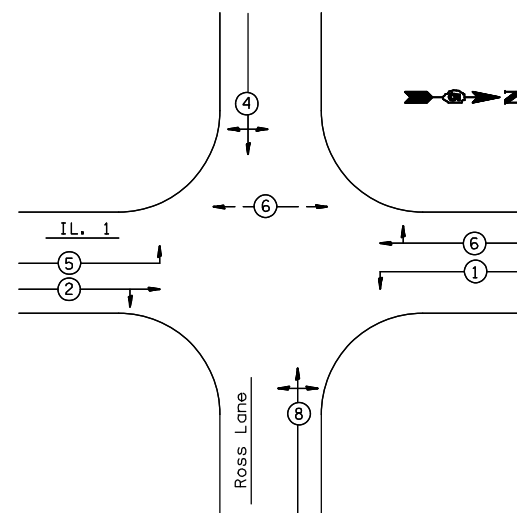


BILL OF MATERIALS

IL. ROUTE 1 & ROSS LANE

ITEM	UNIT	QUANTITY
SERVICE INSTALLATION, TYPE A	EACH	1
UNDERGROUND CONDUIT, PVC, 2" DIA.	FOOT	167
UNDERGROUND CONDUIT, PVC, 2 1/2" DIA.	FOOT	121
UNDERGROUND CONDUIT, PVC, 3" DIA.	FOOT	169
UNDERGROUND CONDUIT, PVC, 4" DIA.	FOOT	120
HANDHOLE	EACH	3
DOUBLE HANDHOLE	EACH	1
GULFBOX JUNCTION REMOVAL	EACH	1
ELECTRIC CABLE IN CONDUIT, 600V (XLP-TYPE USE) 1/C NO. 10	FOOT	864
LUMINAIRE, LED, ROADWAY, OUTPUT DESIGNATION H	EACH	2
FULL-ACTUATED CONTROLLER AND TYPE IV CABINET	EACH	1
UNINTERRUPTABLE POWER SUPPLY, STANDARD	EACH	1
ELECTRIC CABLE IN CONDUIT, SIGNAL NO. 14 3C	FOOT	431
ELECTRIC CABLE IN CONDUIT, SIGNAL NO. 14 5C	FOOT	2100
ELECTRIC CABLE IN CONDUIT, SIGNAL NO. 14 7C	FOOT	815
ELECTRIC CABLE IN CONDUIT, SERVICE, NO. 6 2 C	FOOT	37
ELECTRIC CABLE IN CONDUIT, EQUIPMENT GROUNDING CONDUCTOR, NO. 6 1C	FOOT	626
TRAFFIC SIGNAL POST, ALUMINUM 12 FT.	EACH	2
TRAFFIC SIGNAL POST, ALUMINUM 16 FT.	EACH	2
PEDESTRIAN PUSH-BUTTON POST, GALVANIZED STEEL, TYPE II	EACH	2
STEEL MAST ARM ASSEMBLY AND POLE, 26 FT.	EACH	2
STEEL COMBINATION MAST ARM ASSEMBLY AND POLE 52 FT.	EACH	1
STEEL COMBINATION MAST ARM ASSEMBLY AND POLE 54 FT.	EACH	1
CONCRETE FOUNDATION, TYPE A	FOOT	12.4
CONCRETE FOUNDATION, TYPE C	FOOT	3.5
CONCRETE FOUNDATION, TYPE E 30-INCH DIAMETER	FOOT	20
CONCRETE FOUNDATION, TYPE E 36-INCH DIAMETER	FOOT	30
SIGNAL HEAD, POLYCARBONATE, LED, 1-FACE, 3-SECTION, BRACKET MOUNTED	EACH	2
SIGNAL HEAD, POLYCARBONATE, LED, 1-FACE, 3-SECTION, MAST ARM MOUNTED	EACH	8
SIGNAL HEAD, POLYCARBONATE, LED, 1-FACE, 4-SECTION, MAST ARM MOUNTED	EACH	2
SIGNAL HEAD, POLYCARBONATE, LED, 2-FACE, 1-3 SECTION, 1-4 SECTION, BRACKET MOUNTED	EACH	2
PEDESTRIAN SIGNAL HEAD, POLYCARBONATE, LED, 1-FACE, BRACKET MOUNTED WITH COUNT DOWN TIMER	EACH	2
TRAFFIC SIGNAL BACKPLATE, RETROREFLECTIVE	EACH	16
REMOVE EXISTING TRAFFIC SIGNAL EQUIPMENT	EACH	1
REMOVE EXISTING HANDHOLE	EACH	6
REMOVE EXISTING DOUBLE HANDHOLE	EACH	1
REMOVE EXISTING CONCRETE FOUNDATION	EACH	9
ETHERNET SWITCH	EACH	1
REMOVE AND REINSTALL FIBER OPTIC CABLE IN CONDUIT	FOOT	14
WOOD POLE, 35 FT, CLASS 4	EACH	1
VIDEO DETECTION SYSTEM COMPLETE	EACH	1
ACCESSIBLE PEDESTRIAN SIGNALS	EACH	2

PHASE DESIGNATION DIAGRAM



MODEL: 44001EN.MXFS  
FILE NAME: p:\pub\ecw\bea\by.com\FW\DOT\Documents\DOT Office\Dir\drct\_5\Project\0570E93\CD\DATA\Design\0570E93-ent-Signal-Ross\_Lane.dgn

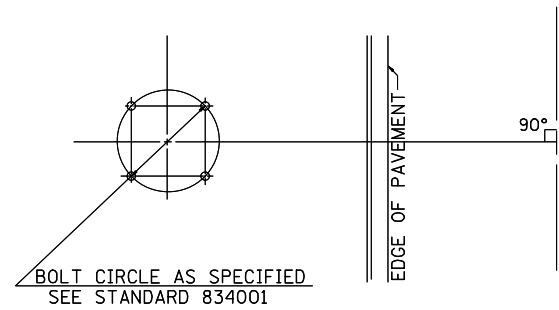
USER NAME = blggsrd	DESIGNED -	REVISED -
	DRAWN -	REVISED -
PLOT SCALE = 40,0000 * / in.	CHECKED -	REVISED -
PLOT DATE = 9/7/2021	DATE -	REVISED -

**STATE OF ILLINOIS  
DEPARTMENT OF TRANSPORTATION**

**BILL OF MATERIALS, DETECTOR LOOP DATA,  
PHASE DESIGNATION DIAGRAM**

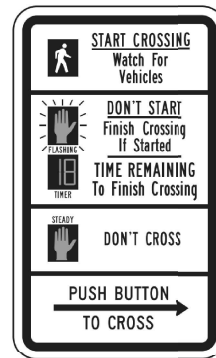
SCALE: SHEET OF SHEETS STA. TO STA.

F.A.P. RTE.	SECTION	COUNTY	TOTAL SHEETS	SHEET NO.
332	(47)TS-1	VERMILION	12	11
CONTRACT NO. 70E93				
ILLINOIS FED. AID PROJECT				



**DETAIL OF MAST ARM FOUNDATION  
BOLT PATTERN**

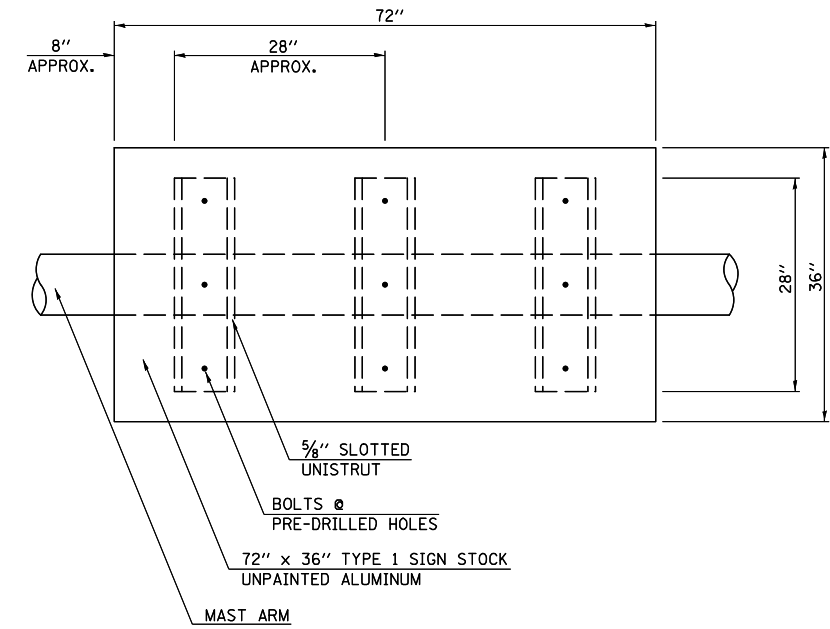
**SIGNS FOR ACCESSIBLE PEDESTRIAN SIGNALS**



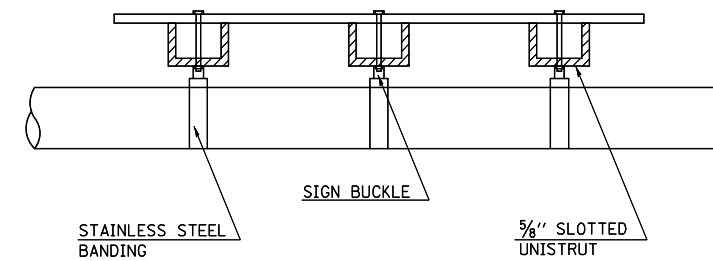
**R10-3e**

ACCESSIBLE PEDESTRIAN PUSH-BUTTON SIGNS SHALL BE MOUNTED ABOVE THE ACCESSIBLE PEDESTRIAN PUSHBUTTONS. THE SIGNS SHALL BE BOLTED TO THE POSTS.

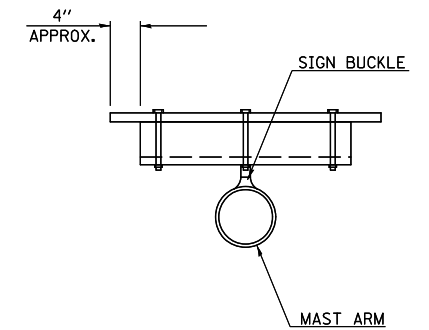
**MAST ARM DAMPENING DEVICE MOUNTING DETAIL**



**PLAN VIEW**



**ELEVATION**



**CROSS SECTION**

**NOTE:** PAINT ENDS OF UNISTRUT WITH SPRAY ON GALVANIZED PAINT

MODEL: \\MODEL\NAME FILE NAME: p:\u1000\paw\_bendley.com\FW\DOT\Documents\DOT\_Offices\District\_5\Projects\0570E93\CADD\data\Design\0570E93-sht-Signals\_Ross\_Lane.dgn

USER NAME = biggsrd	DESIGNED -	REVISED -
PLOT SCALE = 40.0000 * / in.	DRAWN -	REVISED -
PLOT DATE = 9/7/2021	CHECKED -	REVISED -
	DATE -	REVISED -

**STATE OF ILLINOIS  
DEPARTMENT OF TRANSPORTATION**

**DETAILS**

SCALE: NA SHEET 1 OF 1 SHEETS STA. TO STA.

F.A.P. RTE.	SECTION	COUNTY	TOTAL SHEETS	SHEET NO.
332	(47)TS-1	VERMILION	12	12
CONTRACT NO. 70E93				
ILLINOIS FED. AID PROJECT				