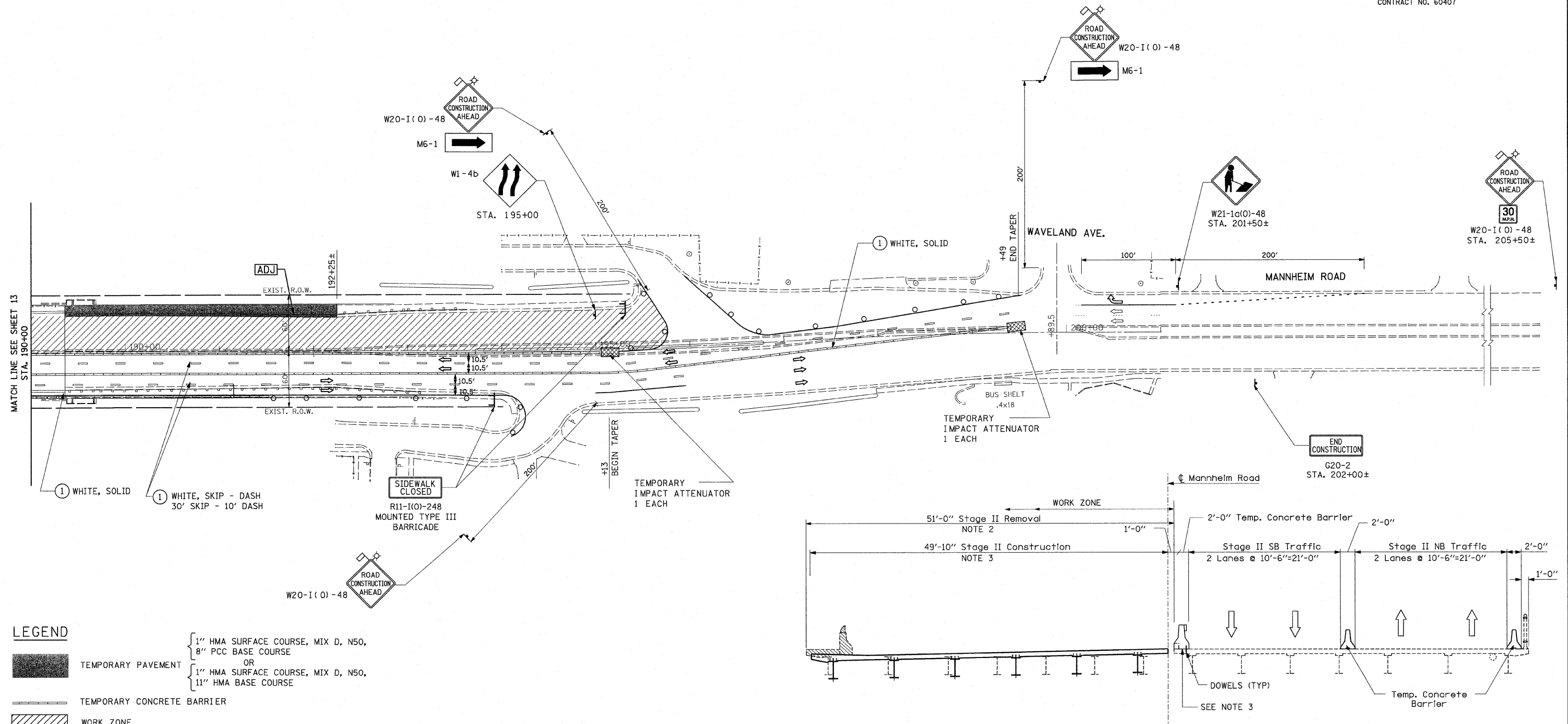
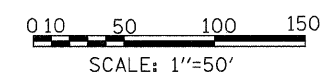
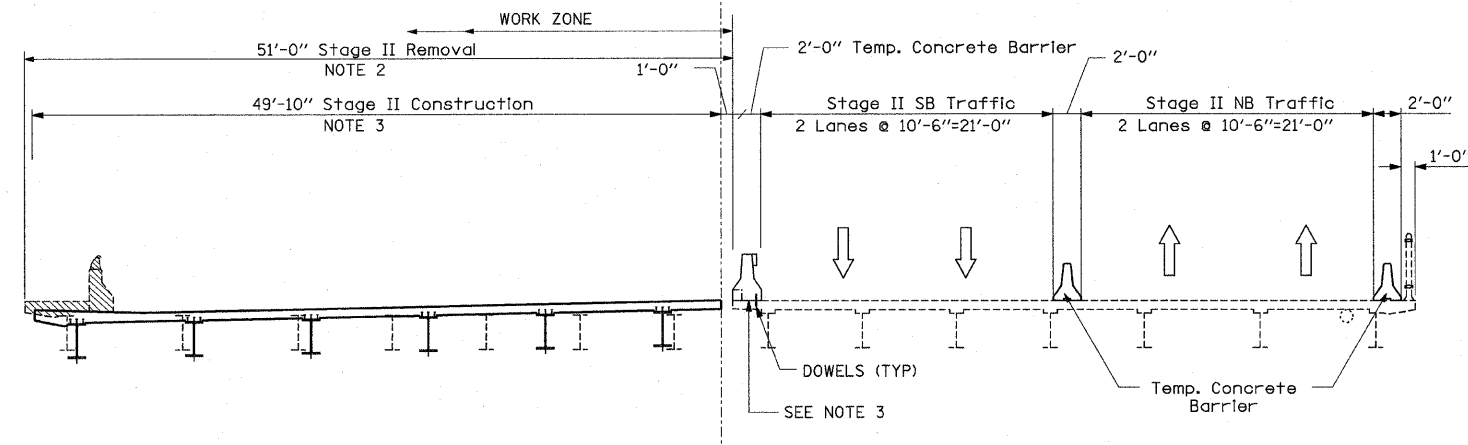


F.A.P. RTE.	SECTION	COUNTY	TOTAL SHEETS	SHEET NO.
330	465 VB-R-1	COOK	103	14
STA.		TO STA.		
FED. ROAD DIST. NO. 1		ILLINOIS FED. AID PROJECT		
CONTRACT NO. 60407				



- LEGEND**
- TEMPORARY PAVEMENT
 - 1" HMA SURFACE COURSE, MIX D, N50,
 - 8" PCC BASE COURSE
 - OR
 - 1" HMA SURFACE COURSE, MIX D, N50,
 - 11" HMA BASE COURSE
 - TEMPORARY CONCRETE BARRIER
 - WORK ZONE
 - DIRECTION OF TRAFFIC
 - DRUM OR TYPE II PLASTIC BARRICADE WITH STEADY BURNING LIGHT, 50' C-C ON CURVE/TAPER 100' C-C ON TANGENT
 - TRAFFIC SIGN
 - PAVEMENT MARKING REMOVAL
 - TYPE III BARRICADE
 - TEMPORARY PAVEMENT MARKING-LINE 4"
 - CATCH BASINS TO BE ADJUSTED

NOTE
1. SEE BRIDGE DWG. NO. S3, S4, S5 AND S46 FOR DETAILS.



EARTH TECH | AECOM

REVISIONS	
NAME	DATE

ILLINOIS DEPARTMENT OF TRANSPORTATION
FAP 330 US 12/45 (MANNHEIM RD.) OVER
500 LINE RR & FRANKLIN AVE.
**MAINTENANCE OF TRAFFIC
STAGE II**
SCALE: 1"= 50'
DATE: JULY 8, 2009
DRAWN BY: CJO
CHECKED BY: PWK

L:\WORK\53346\cead\drawings\Roadway\14MOT\stg2.dgn 7/8/2009

MOT-7