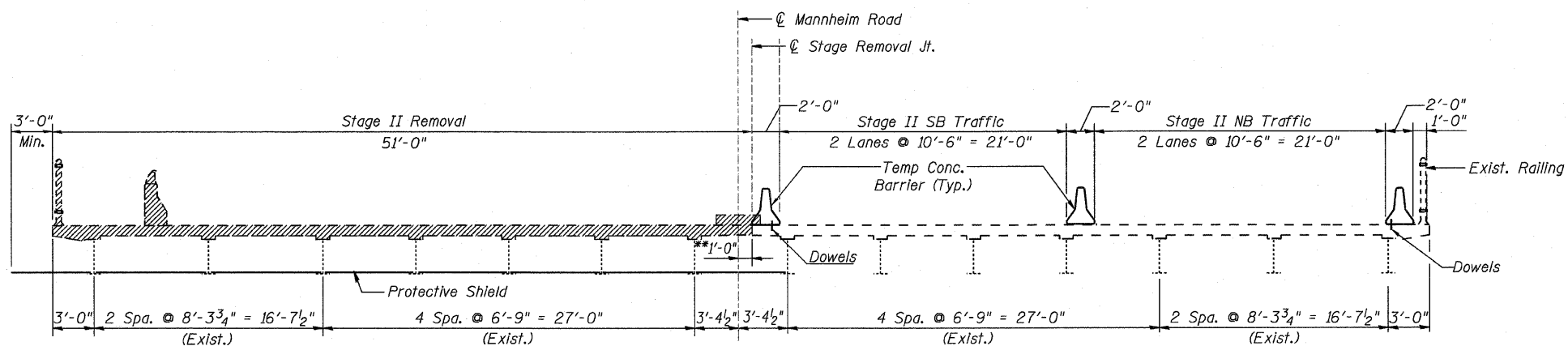


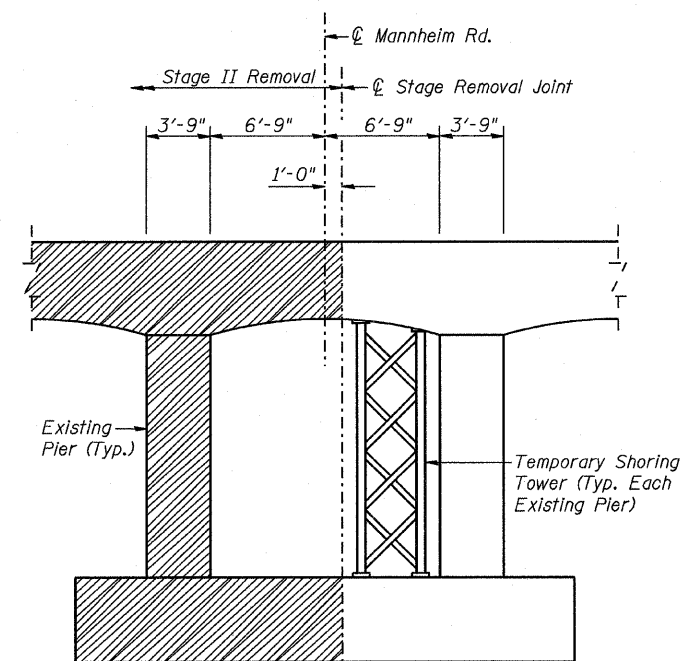
STAGE I BARRIER REMOVAL
(Looking Upstation)

*Pour 2" wearing surface over this width to match existing roadway elevation. See Roadway Plans.



STAGE II REMOVAL
(Looking Upstation)

**Remove additional 6" of existing median right of stage removal joint



STAGE II TEMPORARY SHORING DETAIL
(Looking Upstation)

Notes:

1. Work this sheet with Sheets S3-S5.
2. See Sheet S1 for limits of Protective Shield.
3. See Sheet S46 for Temp. Concrete Barrier.
4. See Roadway plans for Temporary Concrete Barrier quantities.

REVISIONS		ILLINOIS DEPARTMENT OF TRANSPORTATION CONSTRUCTION STAGING I
NAME	DATE	
		FAP 330 US 12/45 (MANNHEIM RD.) OVER 500 LINE RR & FRANKLIN AVE. STRUCTURE NO. 016-2815 SECTION 465 VB-R-1 COOK COUNTY STA. 183+33.30 DRAWN BY JHR DATE 7/2009 CHECKED BY CLS

EARTHTECH | AECOM