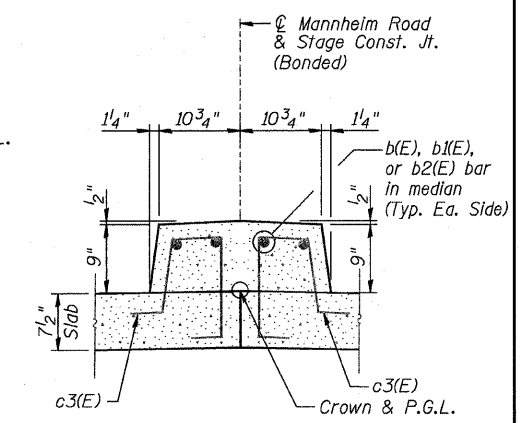
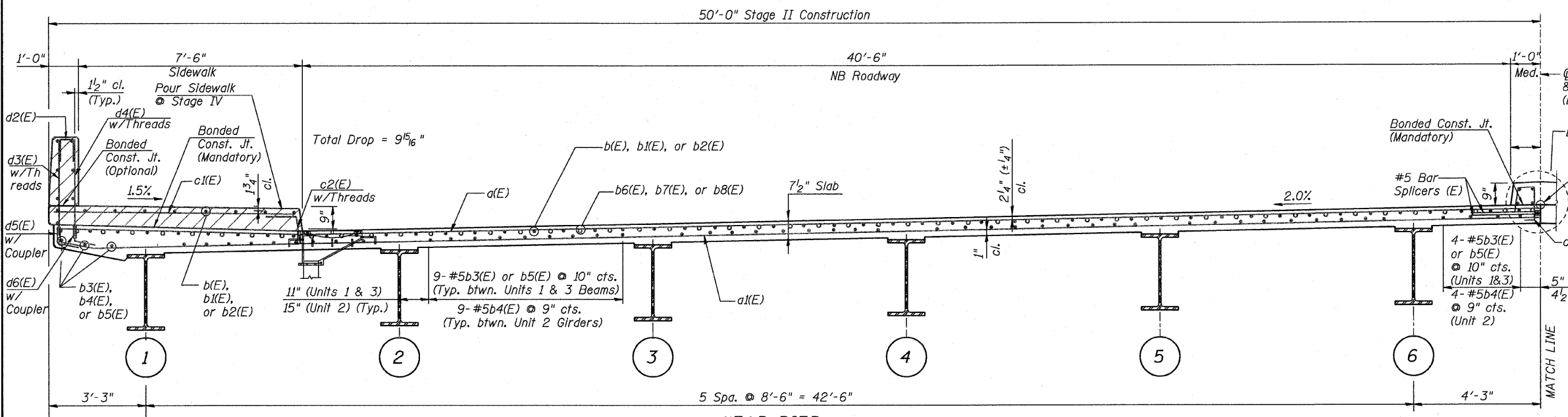
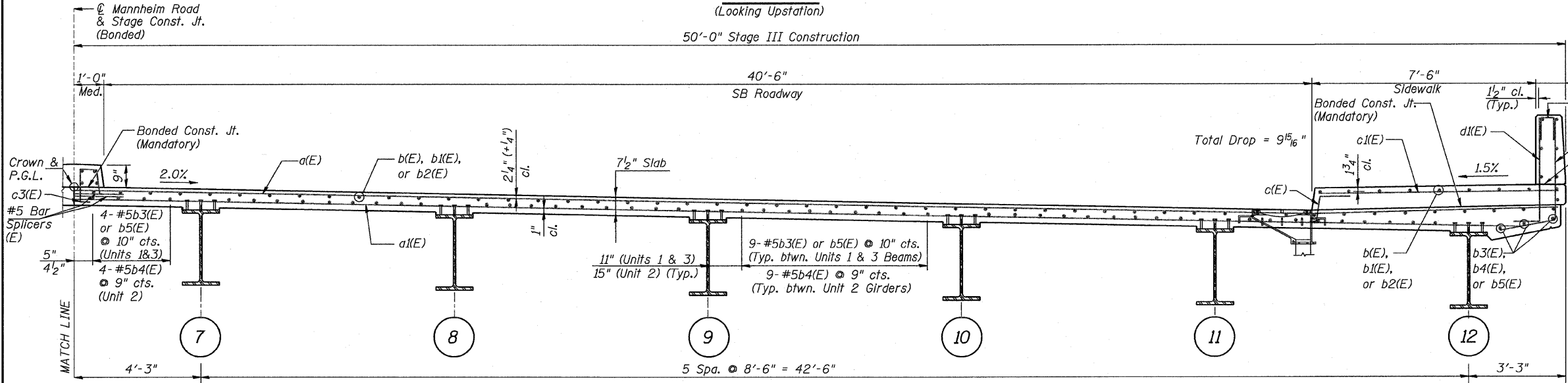


F.A.P.	SECTION	COUNTY	TOTAL SHEETS	SHEET NO.
330	465 VB-R-1	COOK	103	51
STA. 173+50 TO STA. 195+00				
FED. ROAD DIST. NO. 7		ILLINOIS FED. AID PROJECT		
Contract # 60407		SHEET NO. S18 of S60		

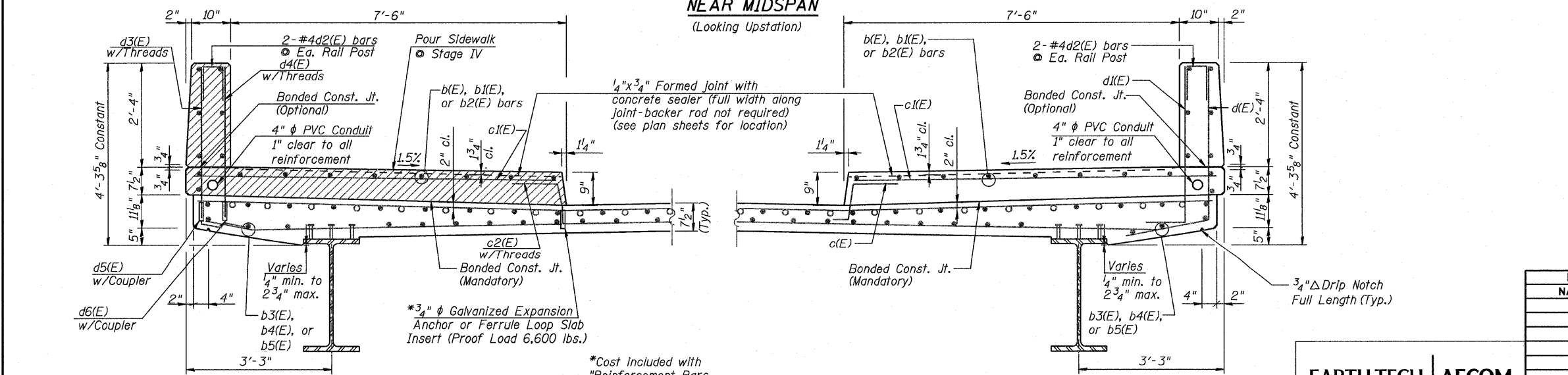


DETAIL B

NEAR PIER
(Looking Upstation)



NEAR MIDSPAN
(Looking Upstation)



Notes:

1. Work this sheet with Sheets S15-S19.
2. See Sheet S20 for bar splicer details.
3. See Sheet S21-S22 for expansion joint details.
4. See Sheet S23 for bridge fence railing details.
5. See Sheets S44-S45 for drainage scupper details.
6. Bars indicated thus 20x3-#5 etc. indicates 20 lines of bars with 3 lengths per line.
7. Cut longitudinal reinforcement to clear scuppers.

REVISIONS		ILLINOIS DEPARTMENT OF TRANSPORTATION
NAME	DATE	
		SUPERSTRUCTURE CROSS-SECTION FAP 330 US 12/45 (MANNHEIM RD.) OVER 500 LINE RR & FRANKLIN AVE. STRUCTURE NO. 016-2815 SECTION 465 VB-R-1 STA. 183+33.30 DATE 7/2009

EARTH TECH | AECOM