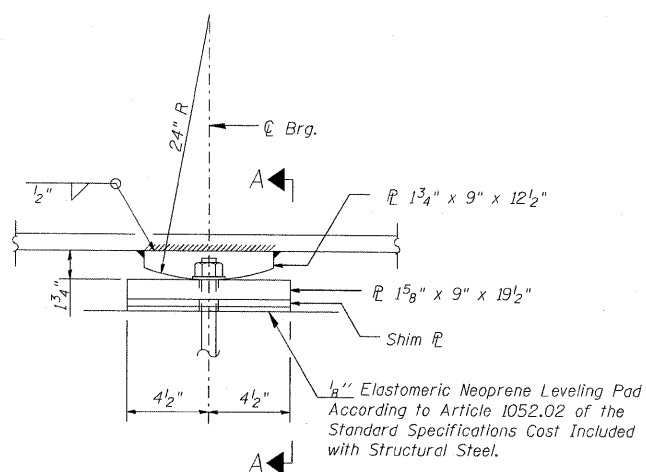


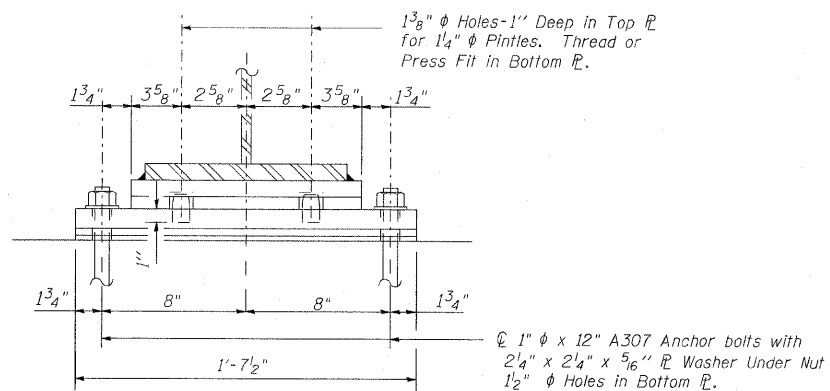
STATE OF ILLINOIS  
DEPARTMENT OF TRANSPORTATION

F.A.R.T.E.	SECTION	COUNTY	TOTAL SHEETS	SHEET NO.
2843	3249B-R	COOK	64	37
FED. ROAD DIST. NO.	ILLINOIS	FED. AID PROJECT		

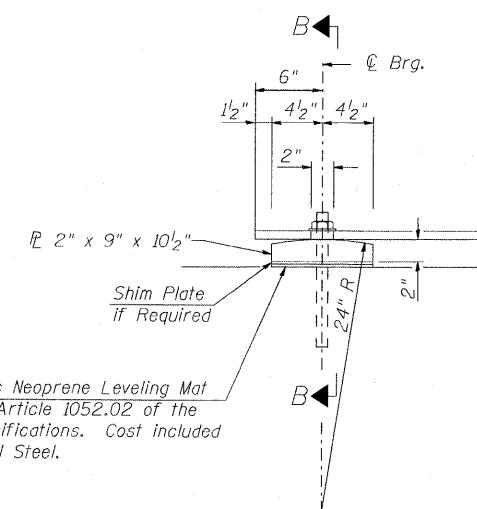
Sheet 13 of 22 Contract No. 62539



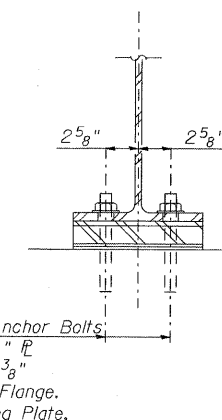
ELEVATION AT SOUTH PIER



SECTION A-A



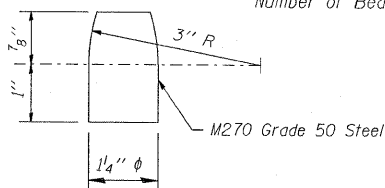
ELEVATION AT SOUTH ABUTMENT



SECTION B-B

FIXED BEARING

Number of Bearing Assemblies Required - 8



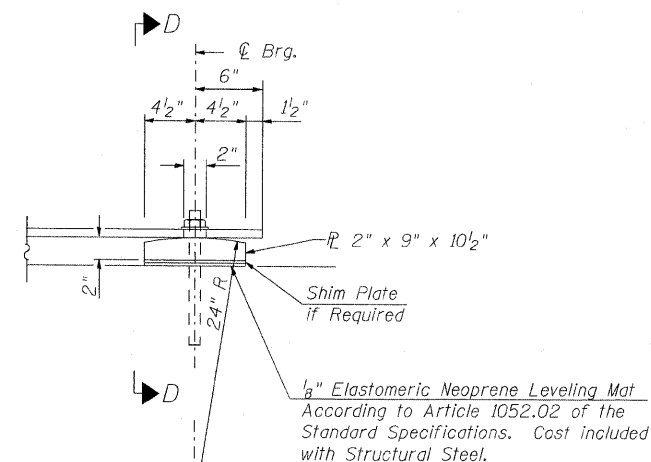
PINTLE

BEARINGS BILL OF MATERIALS

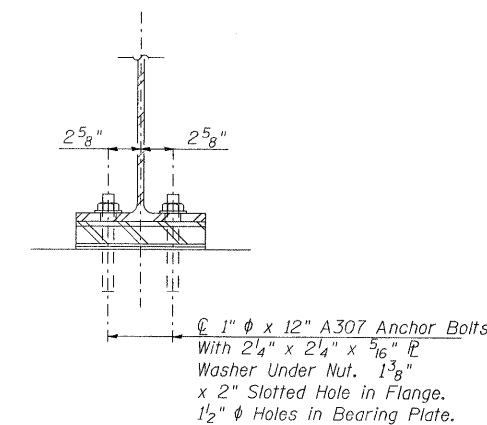
Item	Unit	Total
Anchor Bolts, 1"	Each	64

FIXED BEARING

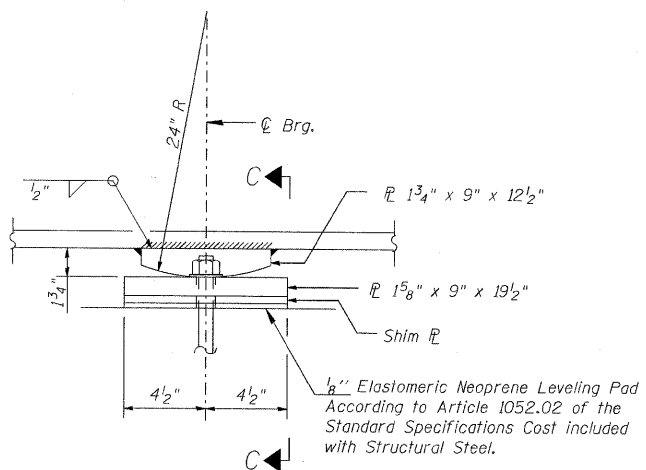
Number of Bearing Assemblies Required - 8



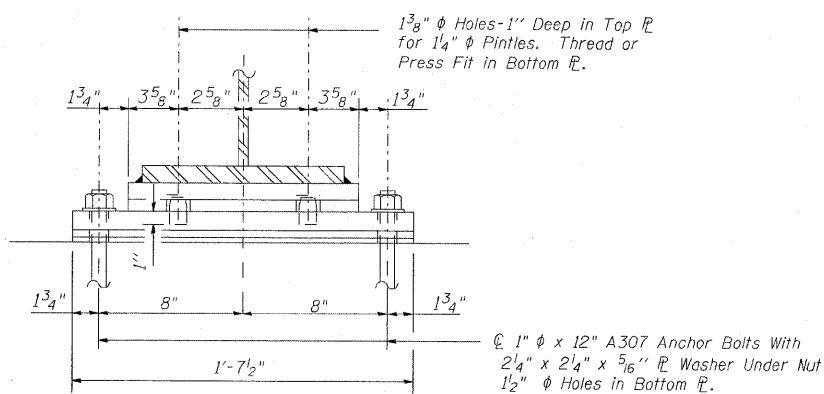
ELEVATION AT NORTH ABUTMENT



SECTION D-D



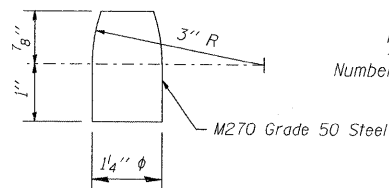
ELEVATION AT NORTH PIER



SECTION C-C

FIXED BEARING

Number of Bearing Assemblies Required - 8



PINTLE

Notes:  
Anchor bolts at fixed bearings may be built into the Concrete Abutment.  
See sheet 19 of 20 for Anchor Bolt installation.

FIXED BEARING

Number of Bearing Assemblies Required - 8

REVISIONS	
NAME	DATE
REV-BK	9/25/09

BEARING DETAILS

DIXIE HIGHWAY OVER  
BUTTERFIELD CREEK  
F.A.U. ROUTE 2843 SECTION 3249B-R  
STA. 78+55.00  
COOK COUNTY  
STRUCTURE NUMBER 016-7946

SCALE: NOT-TO-SCALE  
DATE 4-27-09

DRAWN BY BV  
DESIGNED BY BS  
CHECKED BY PK

**RME** Rubinos & Mesia Engineers, Inc.

10/23/08  
SPF  
8P  
RV/S/S

9/FILES  
8/DATES  
8/TIMES