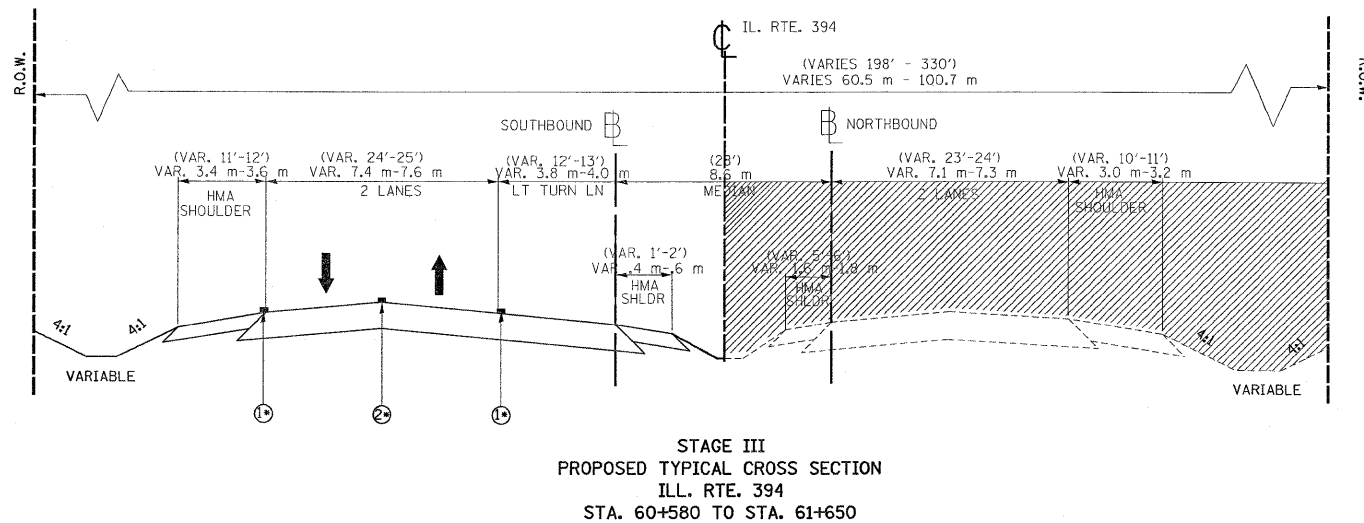
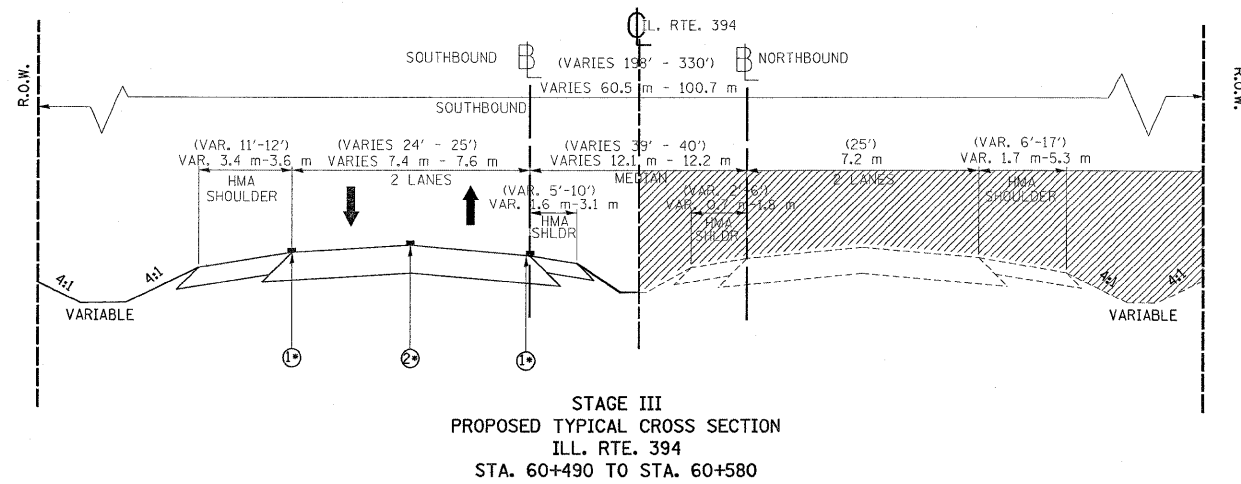
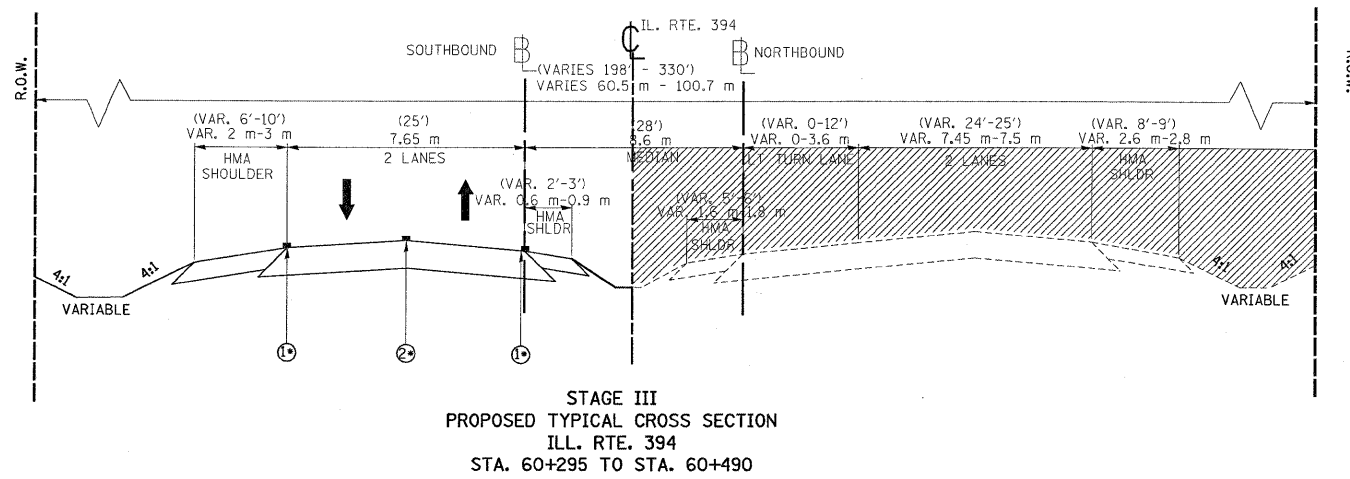


F.A.P. RTE.	SECTION	COUNTY	TOTAL SHEETS	SHEET NO.
332/876	2002-113R	WILL	242	48
STA. 60+300	TO STA. 61+650			
FED. ROAD DIST. NO. 1		ILLINOIS	FED. AID PROJECT	



SUGGESTED STAGE CONSTRUCTION:

A) RECONSTRUCTION AND RESURFACING OF THE NORTHBOUND LANES OF ILL. RTE. 394 WILL BE COMPLETED. CONSTRUCTION ELEMENTS WILL INCLUDE THE RECONSTRUCTION OF THE EAST SIDE OF ILL. RTE. 394 AT ITS INTERSECTION WITH REALIGNED ILL. RTE. 1 FROM STA. 61+215.794 TO STA. 61+650, RECONSTRUCTION OF THE EAST SIDE OF ILL. RTE. 394 AT ITS INTERSECTION WITH GOODENOW RD. FROM STA. 60+300 TO STA. 60+592.713, RESURFACING OF THE EAST SIDE OF ILL. RTE. 394 FROM STA. 60+630.631 TO STA. 61+215.794, AND RESURFACING/WIDENING OF GOODENOW RD. EAST OF THE ILL. RTE. 394 INTERSECTION FROM APPROXIMATELY STA. 4+000 TO 4+311.

B) ILL. RTE. 394 NORTHBOUND LANES WILL BE CLOSED FROM STA. 60+300 TO 61+650, THE SOUTHBOUND LANES WILL BE OPEN TO TWO-WAY TRAFFIC DURING THIS STAGE. REALIGNED ILL. RTE. 1 WILL BE OPEN TO TRAFFIC BUT WILL BE LIMITED TO RIGHT-IN/RIGHT-OUT AT ILL. RTE. 394. LOCAL TRAFFIC WILL BE ALLOWED TO ACCESS GOODENOW RD. AND THE VILLAGE WOODS CHRISTIAN RETIREMENT CENTER. TRAFFIC TRAVELING NORTHBOUND WILL CROSS-OVER TO THE SOUTHBOUND LANES JUST SOUTH OF GOODENOW RD. WHERE ILL. RTE. 394 MERGES INTO NORTHBOUND AND SOUTHBOUND TRAFFIC. THE CROSS-OVER CONSTRUCTED FOR STAGE II WILL BE USED BY THE NORTHBOUND TRAFFIC TO CROSS-OVER TO THE NORTHBOUND LANES JUST NORTH OF THE PROPOSED ILL. RTE. 394 AND REALIGNED ILL. RTE. 1 INTERSECTION.

GOODENOW RD. WILL BE WIDENED ALONG THE NORTH SIDE FIRST AND THEN ALONG THE SOUTH SIDE. THE TRAVEL LANES WILL NEED TO BE NARROWED DURING THE WIDENING. ONCE THE WIDENING IS COMPLETED THE OVERLAY WILL BE PLACED OVER THE ENTIRE GOODENOW RD. SECTION, EAST OF ILL. RTE. 394 STA. 3+892 TO STA. 4+000. FLAGGERS MAY BE NEEDED TO DIRECT TRAFFIC. PAGE # SHOWS THE WORK ZONE AND TRAFFIC FLOW FOR STAGE III.

NOTE: STAGE IV WORK IS ON OLD ILL. RTE. 1 AND GOODENOW RD.

LEGEND:

TRAFFIC FLOW DIRECTION

WORK ZONE AREA

LEGEND:

- ① PAVEMENT MARKING TAPE, TYPE III, WHITE EDGE LINE, 100 mm
- ② PAVEMENT MARKING TAPE, TYPE III, DOUBLE YELLOW LINE, 100 mm

REVISIONS		ILLINOIS DEPARTMENT OF TRANSPORTATION SUGGESTED MAINTENANCE. OF TRAFFIC ILL. RTE. 394 STAGE III
NAME	DATE	
		SCALE: NONE DATE: \$\$DATE\$\$ DRAWN BY CHECKED BY