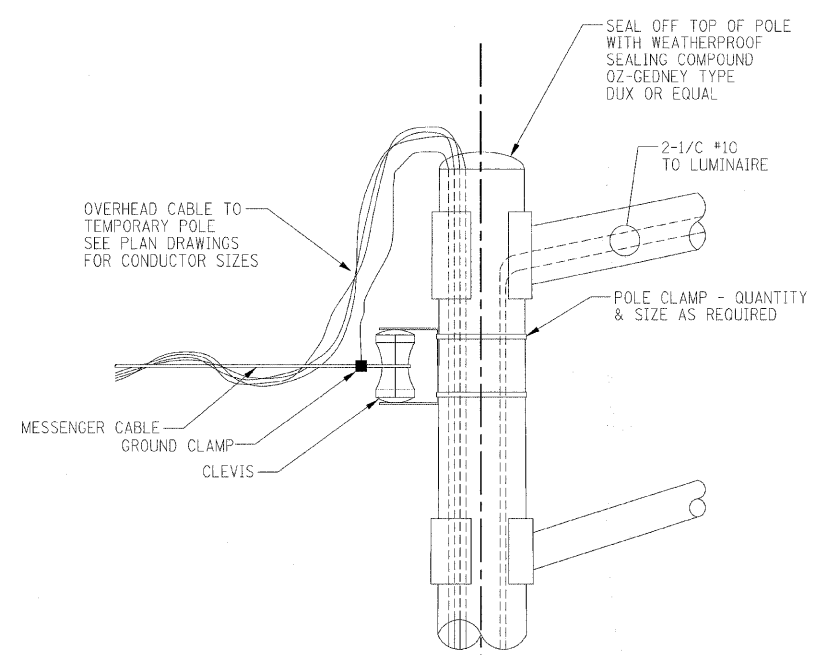
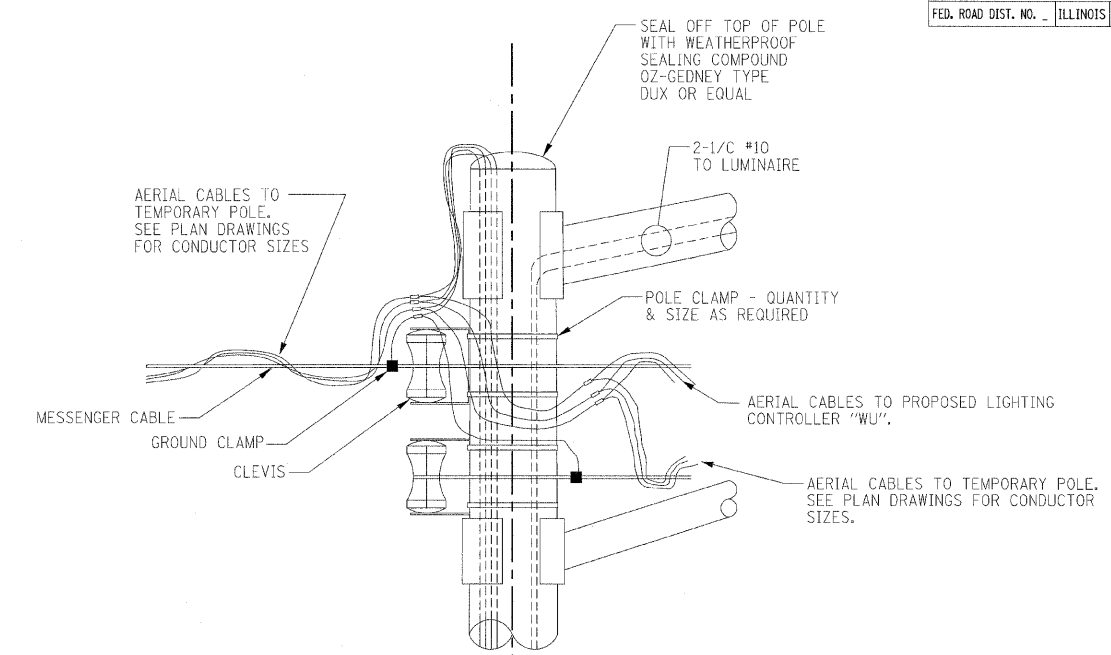
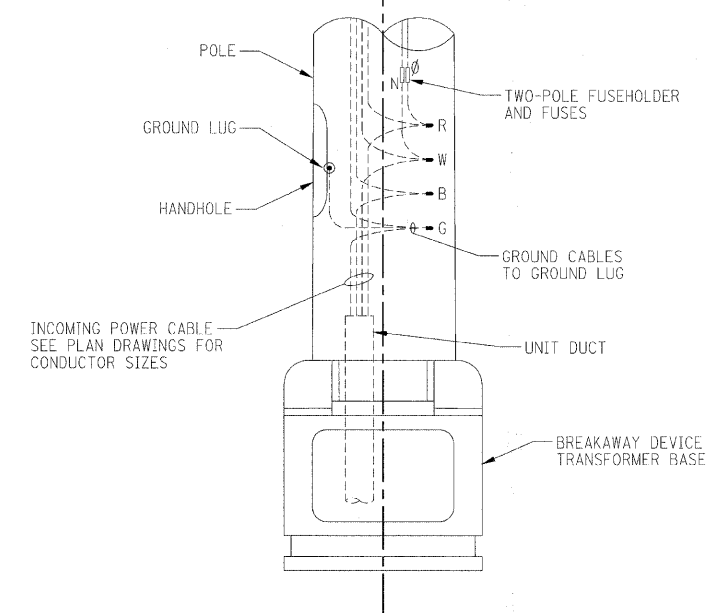


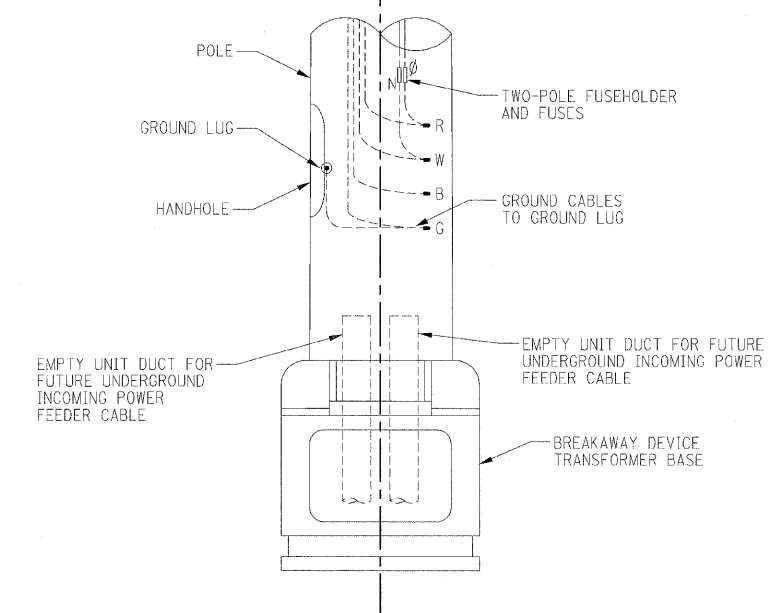
**ALUMINUM LIGHT POLE**  
ON BREAKAWAY TRANSFORMER BASE  
FOR COMPLETE DESCRIPTION  
SEE DRAWING BE-400



**DETAIL 1**  
UNDERGROUND POWER FEEDER CABLE  
WIRING CONNECTIONS



**DETAIL 2**  
OVERHEAD POWER FEEDER CABLE  
WIRING CONNECTIONS



Peter B. Leonard 7/19/09  
Exp. 11/30/09

REVISIONS	
NAME	DATE

ILLINOIS DEPARTMENT OF TRANSPORTATION  
**IL. RTE.394 AT IL. 1/ GOODENOW LIGHTING DETAILS TEMPORARY WIRING**

SCALE: NONE  
DATE: 1-3-2006  
DRAWN BY: JEH  
CHECKED BY: RER

**HOH ASSOCIATES, INC.**  
55 West Jackson Blvd.  
Chicago, Illinois 60604  
312/246-8131  
HOH CAD FILE No. E10.DGN  
PLOT SCALE 1 = 1  
2660.05