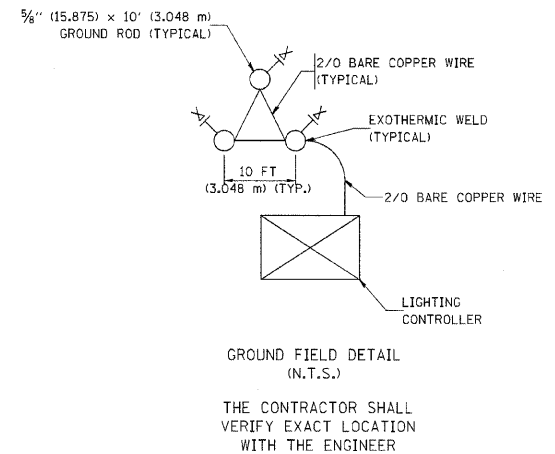
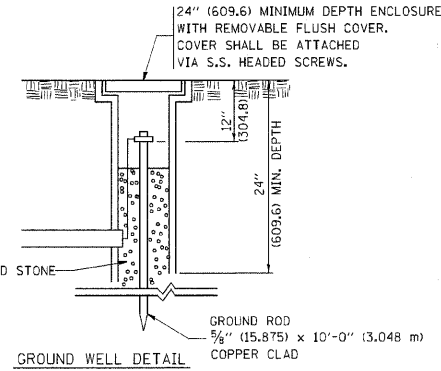
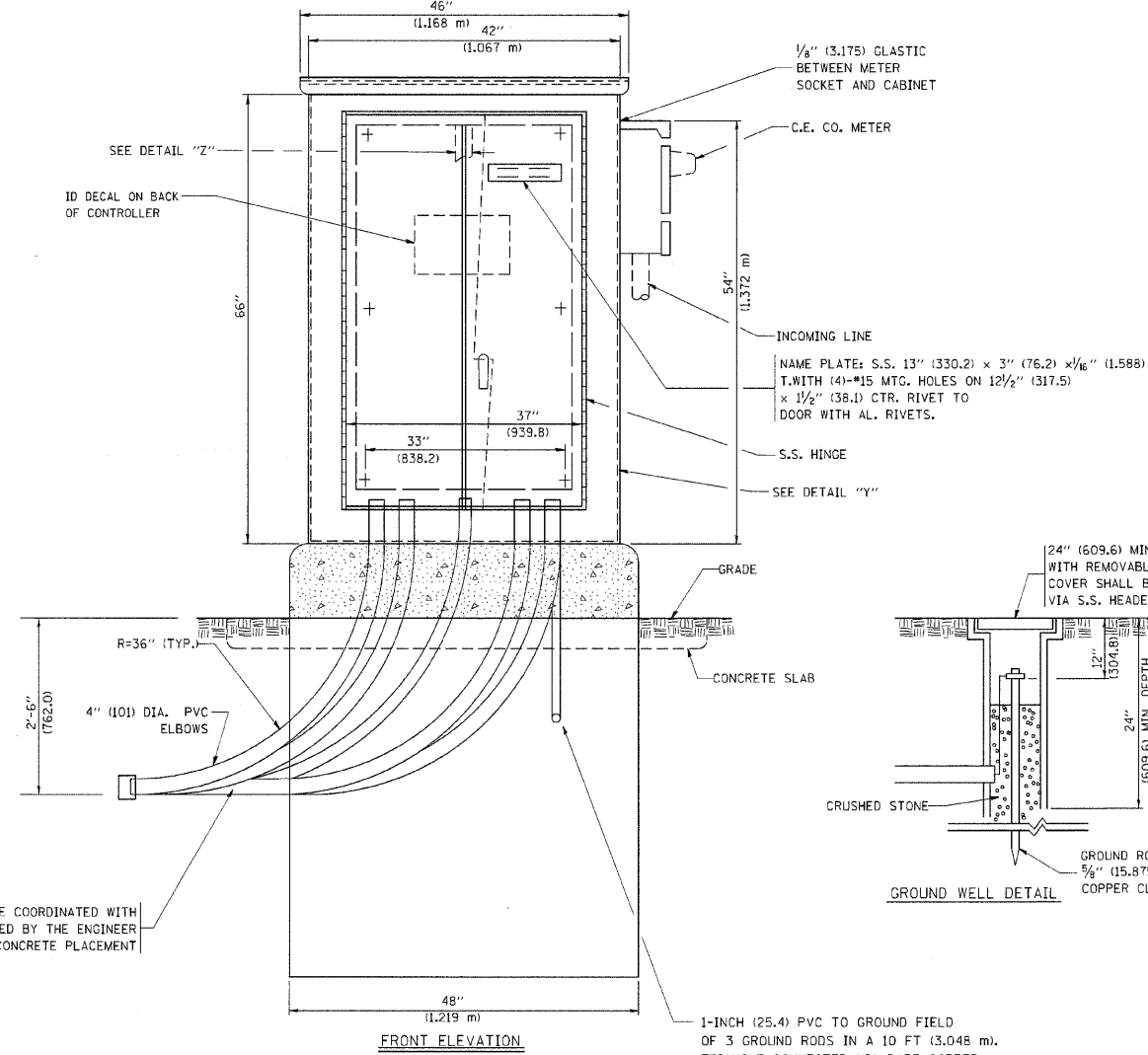
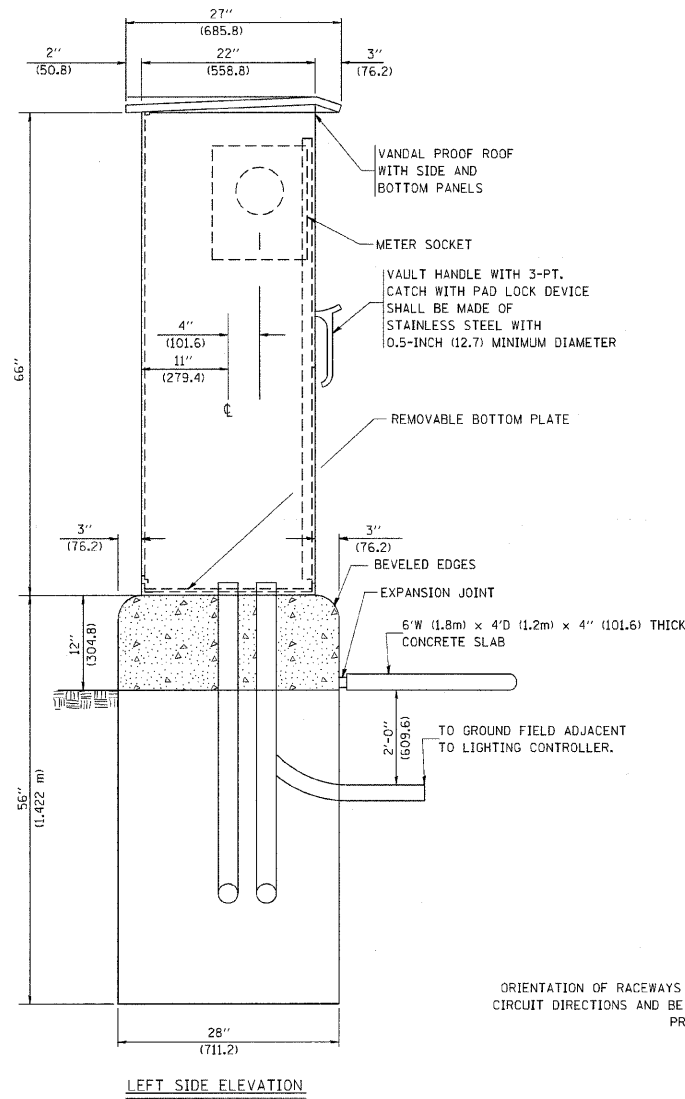
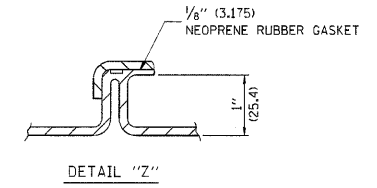
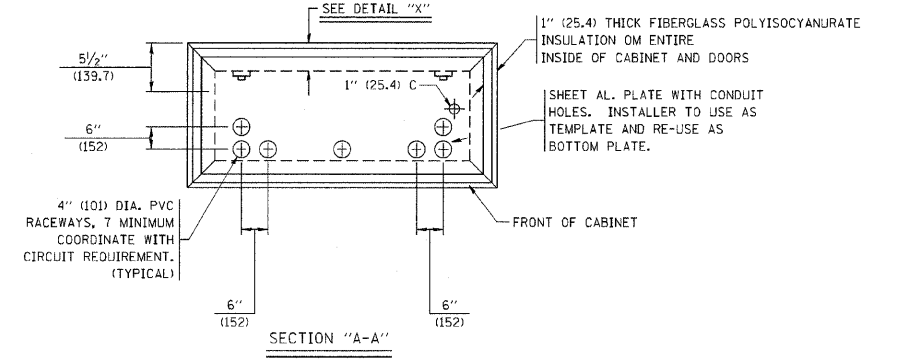
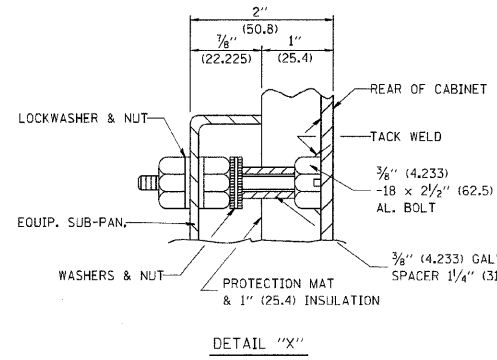
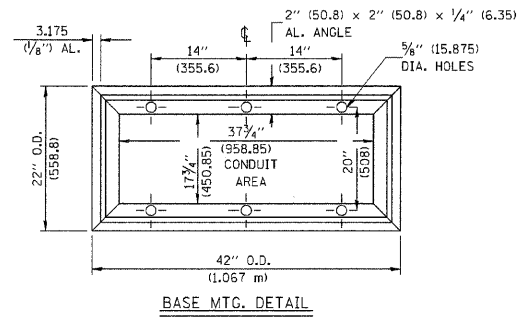
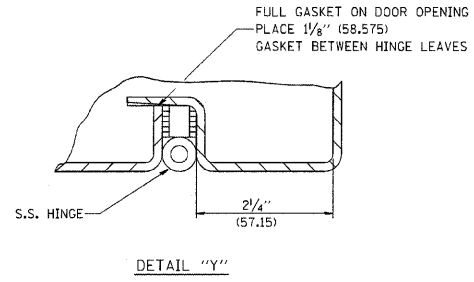


F.A. RTE.	SECTION	COUNTY	TOTAL SHEETS	SHEET NO.
332/876	2002-113R	WILL	242	127
STA.		TO STA.		
FED. ROAD DIST. NO.		ILLINOIS FED. AID PROJECT		



ORIENTATION OF RACEWAYS SHALL BE COORDINATED WITH CIRCUIT DIRECTIONS AND BE INSPECTED BY THE ENGINEER PRIOR TO CONCRETE PLACEMENT

1-INCH (25.4) PVC TO GROUND FIELD OF 3 GROUND RODS IN A 10 FT (3.048 m). TRIANGLE CONNECTED VIA BARE COPPER WIRE. VERIFY EXACT LOCATION OF GROUND FIELD WITH THE ENGINEER. NO GROUND WELL SHALL BE PLACED IN CONCRETE PAD IN FRONT OF CONTROLLER.

REVISIONS	
NAME	DATE
R. TOMSOMS	08/19/04
R. TOMSOMS	5/11/09

ILLINOIS DEPARTMENT OF TRANSPORTATION
 LIGHTING CONTROLLER, RADIO CONTROL
 DUPLEX TYPE WITH SCADA
 BE-205 SHT 3 OF 4

SCALE: NONE
 DRAWN BY: CADD
 CHECKED BY:
 BE 205

PLOT DATE = 5/11/2009
 FILE NAME = c:\pva\work\spv\dot1\dr\lvk\cadd\4810535A\be205.dgn
 PLOT SCALE = 500/1000 = 1/2"
 USER NAME = drlvk