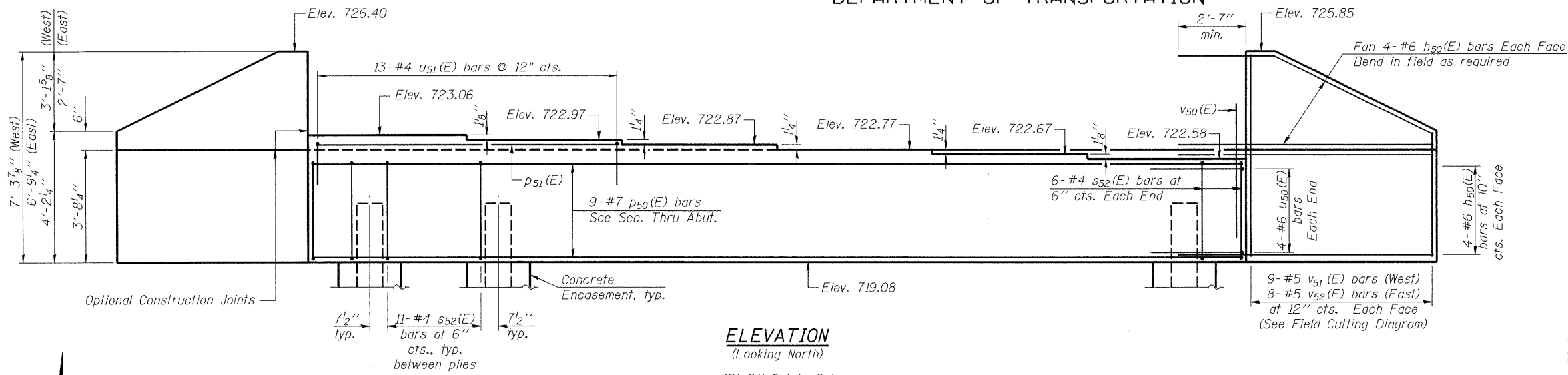


Notes:
Four steps monolithically with cap.

STATE OF ILLINOIS
DEPARTMENT OF TRANSPORTATION

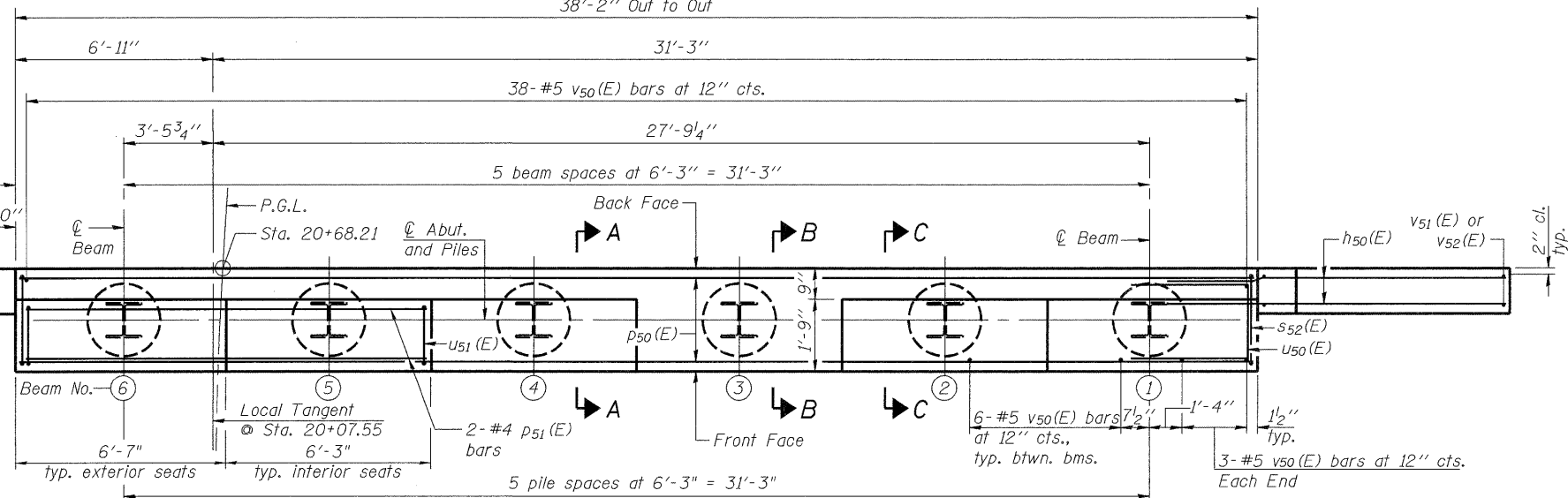


ELEVATION
(Looking North)

38'-2" Out to Out



8'-8" (West)
7'-7" (East)
7'-8" (West)
6'-7" (East)

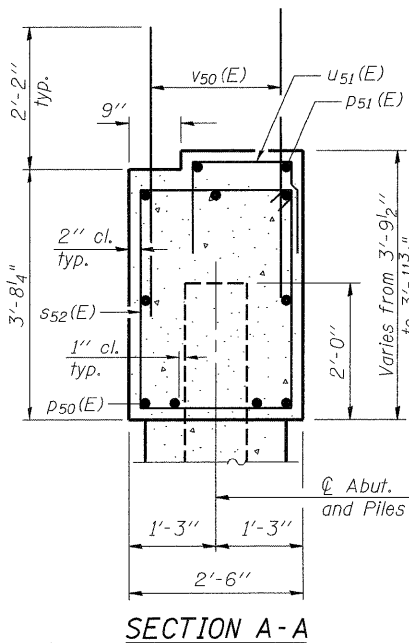


PLAN

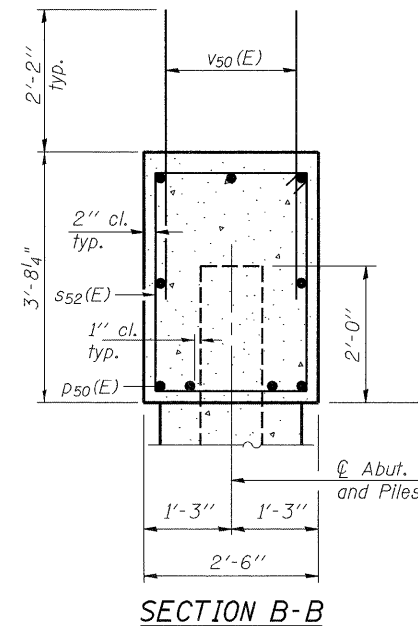
PILE DATA

Type: HP 10 x 42
Nominal Required Bearing: 180 kips
Factored Resistance Available: 90 kips
Est. Length: 44 feet
No. Production Piles: 5
No. Test Piles: 1

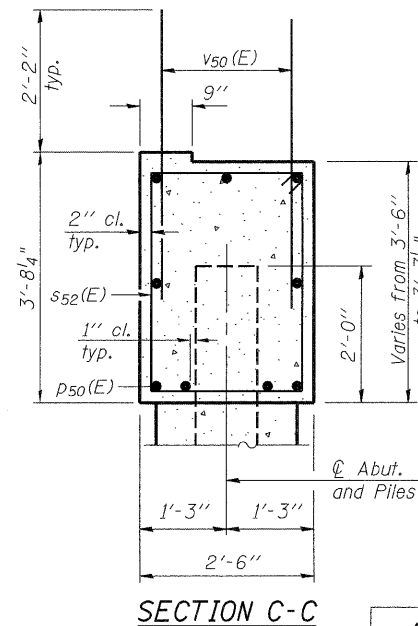
| | |
|----------|-------------|
| DESIGNED | SK/GMK/LCM |
| CHECKED | GBC/GMK/SMK |
| DRAWN | RR/LCM/SK |
| CHECKED | GBC/GMK/SMK |



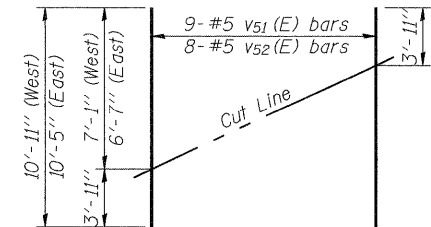
SECTION A-A



SECTION B-B

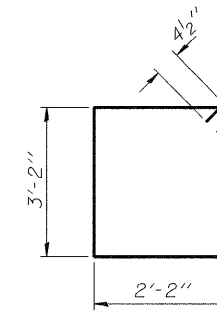


SECTION C-C

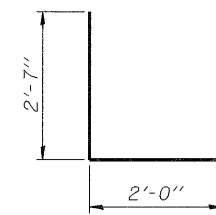


FIELD CUTTING DIAGRAM

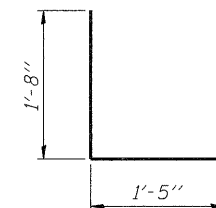
Order v51(E) and v52(E) full length. Cut as shown and use remainder of bars in opposite face.



BAR S52(E)



BAR U50(E)



BAR U51(E)

BILL OF MATERIAL

| Bar | No. | Size | Length | Shape |
|----------------------------------|-----|---------|---------|-------|
| h50(E) | 32 | #6 | 11'-9" | — |
| p50(E) | 9 | #7 | 37'-11" | — |
| p51(E) | 2 | #4 | 12'-7" | — |
| s52(E) | 67 | #4 | 11'-5" | □ |
| u50(E) | 8 | #6 | 7'-2" | — |
| u51(E) | 13 | #4 | 4'-9" | — |
| v50(E) | 74 | #5 | 4'-4" | — |
| v51(E) | 18 | #5 | 10'-11" | — |
| v52(E) | 16 | #5 | 10'-5" | — |
| Structure Excavation | | Cu. Yd. | 40 | |
| Concrete Structures | | Cu. Yd. | 17 | |
| Reinforcement Bars, Epoxy Coated | | Pound | 2,680 | |
| Furnishing Steel Piles HP10x42 | | Foot | 220 | |
| Driving Piles | | Foot | 220 | |
| Test Pile Steel HP10x42 | | Each | 1 | |
| Concrete Encasement | | Cu. Yd. | 2.1 | |

For details of Bar Splicers, see sheet 21 of 26.
For details of piles and Concrete Encasement, see sheet 20 of 26.

NORTH ABUTMENT
NORTHBOUND ILLINOIS ROUTE 394 OVER PLUM CREEK
STATION 20+07.55

| | | | | | |
|--------------|---|-----------|--------------------|--------------|-----------|
| SHEET NO. 17 | F.A.P. RTE. | SECTION | COUNTY | TOTAL SHEETS | SHEET NO. |
| | 332 | 2002-113R | WILL | 242 | 162 |
| 26 SHEETS | SN-099-0147 | | CONTRACT NO. 62542 | | |
| | FED. ROAD DIST. NO. 1 ILLINOIS FED. AID PROJECT | | | | |

