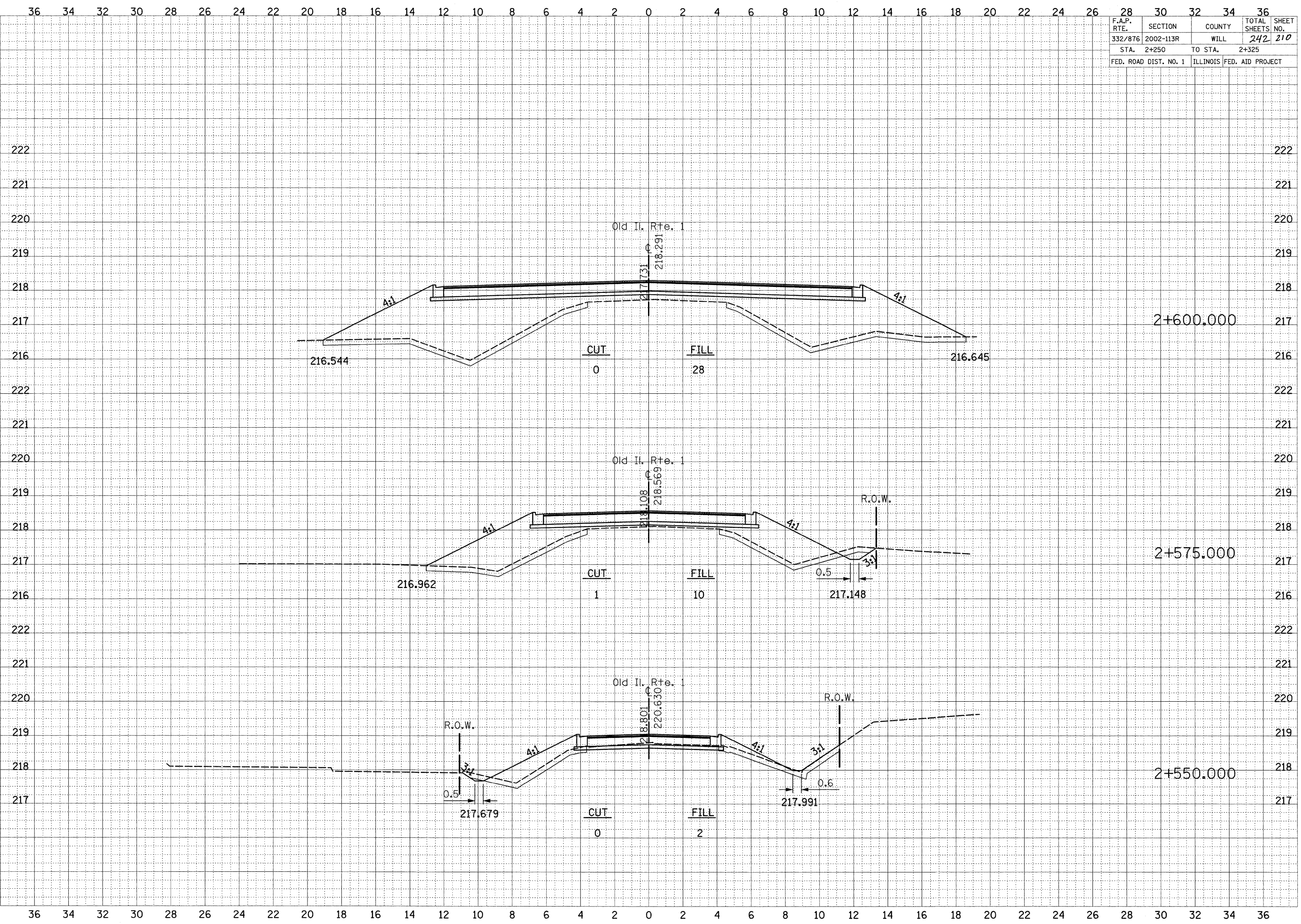


F.A.P. RTE.	SECTION	COUNTY	TOTAL SHEETS	SHEET NO.
332/876	2002-113R	WILL	242	210
STA. 2+250		TO STA. 2+325		
FED. ROAD DIST. NO. 1		ILLINOIS FED. AID PROJECT		



8/24/2009
 c:\pw_wor\KVPW\DOT\ULRICH\KDA010364\xs_01d111_2.dgn
 ulr\chcd