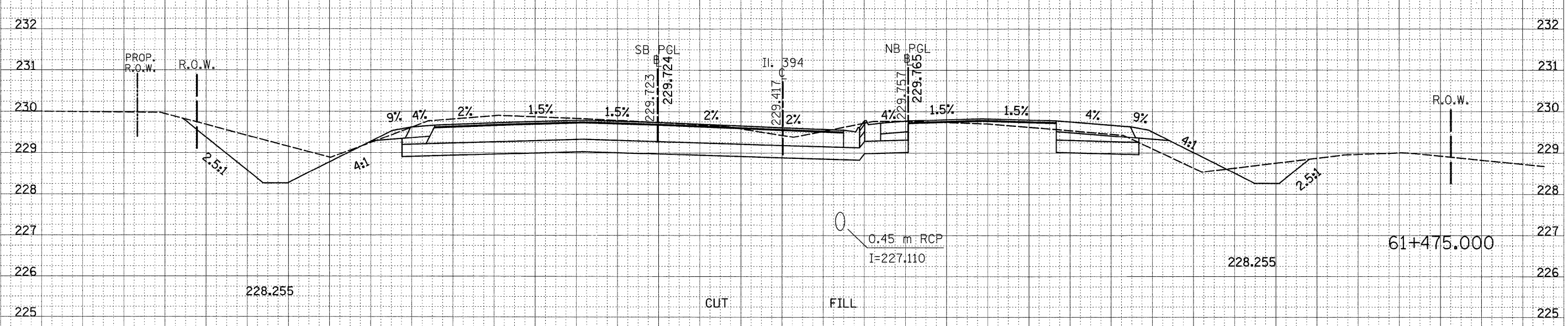
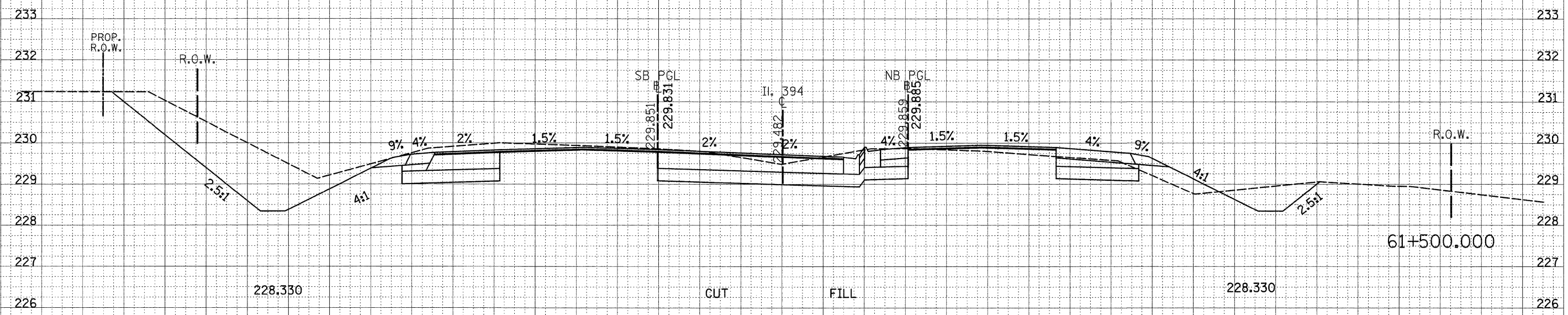


F.A.E. RTE.	SECTION	COUNTY	TOTAL SHEETS	SHEET NO.
332/876	2002-113R	WILL	242	235
STA. 61+475 TO STA. 61+500				
FED. ROAD DIST. NO. 1 ILLINOIS FED. AID PROJECT				



8/24/2009
 c:\pwworkspace\pwworkspace\ulrichkd\010364\11394_2.dgn
 ulrichkd