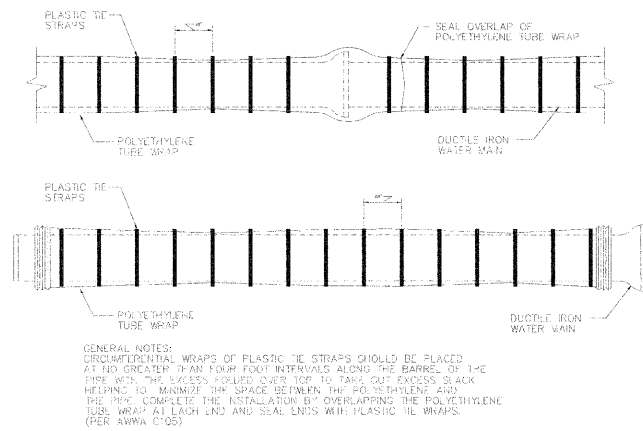
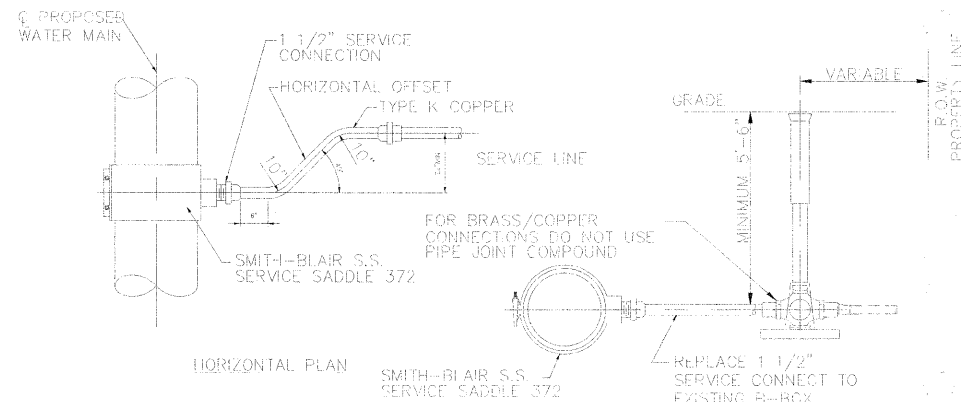


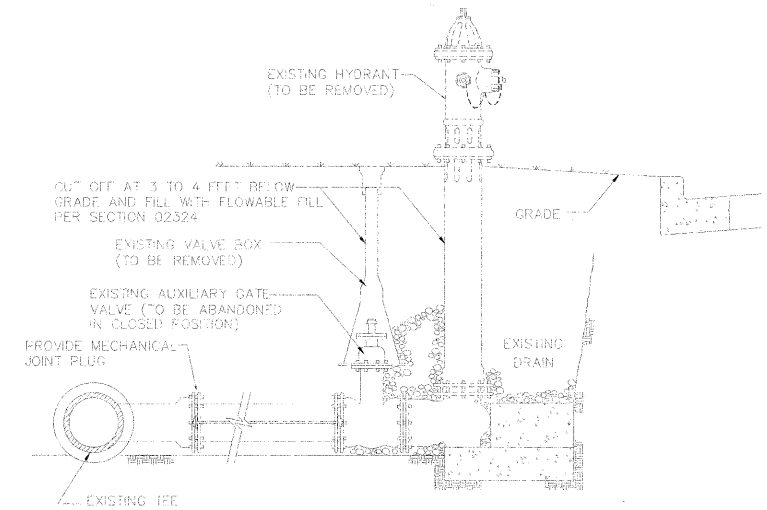
F.A.P. RTE.	SECTION	COUNTY	TOTAL SHEETS	SHEET NO.
350	00-00242-00-CH	COOK	129	96
STA.		TO STA.		
FED. ROAD DIST. NO. 7 ILLINOIS FED. AID PROJECT				



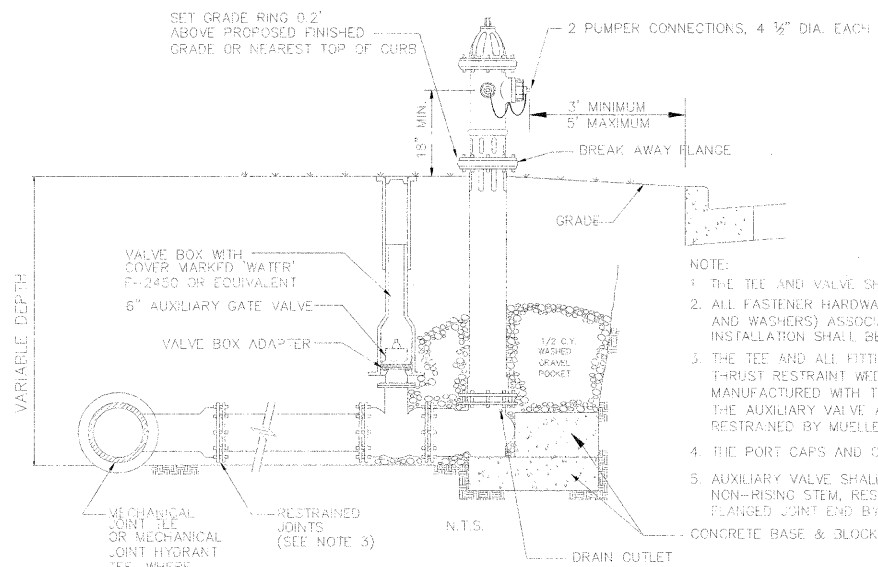
POLYETHYLENE TUBE WRAP FOR DUCTILE IRON PIPE



1 1/2" SERVICE TAP CONNECTION

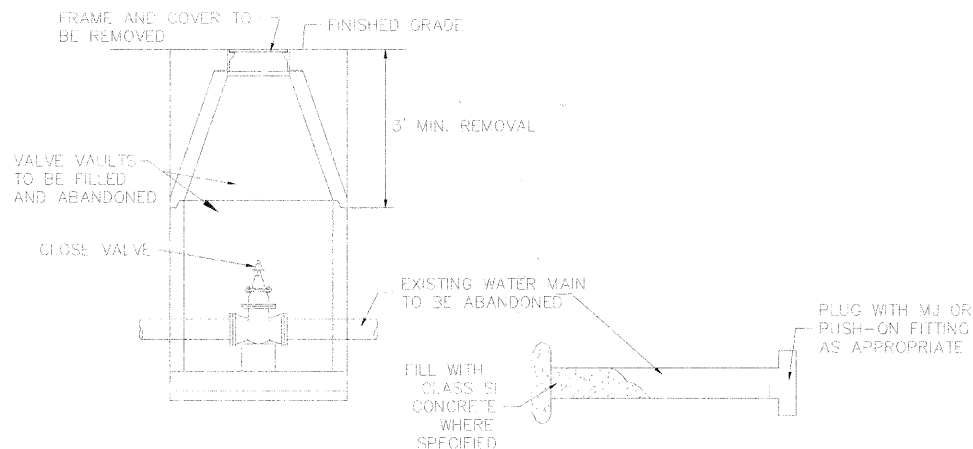


FIRE HYDRANT TO BE REMOVED



FIRE HYDRANT INSTALLATION

- NOTE:
1. THE TEE AND VALVE SHALL BE MECHANICAL JOINT.
 2. ALL FASTENER HARDWARE (i.e., NUTS, BOLTS, ROGS AND WASHERS) ASSOCIATED WITH THE FIRE HYDRANT INSTALLATION SHALL BE STAINLESS STEEL.
 3. THE TEE AND ALL FITTINGS SHALL BE RESTRAINED BY THRUST RESTRAINT WEDGES, RETAINER GLANDS MANUFACTURED WITH TORQUE LIMITING TWIST-OFF NUTS. THE AUXILIARY VALVE AND HYDRANT SHALL BE RESTRAINED BY MUELLER AQUAGRIP.
 4. THE PORT CAPS AND CHAINS SHALL BE PAINTED SILVER.
 5. AUXILIARY VALVE SHALL BE FULL BODIED EPOXY COATED, NON-RISING STEM, RESILIENT WEDGE GATE VALVE WITH FLANGED JOINT END BY MECHANICAL JOINT END.



VALVE VAULT, WATER MAIN & VALVE BOX ABANDONMENT DETAIL

PLT DATE = 11/13/2008
 PLOT SCALE = 1/4" = 1'-0"
 USER NAME = USER

REVISIONS	
NAME	DATE

ILLINOIS DEPARTMENT OF TRANSPORTATION
 SKOKIE BOULEVARD (U.S. ROUTE 41)
 VILLAGE OF SKOKIE WATER MAIN DETAILS
 DATE 11-14-08
 DRAWN BY SAG
 CHECKED BY DWB
 NOT TO SCALE