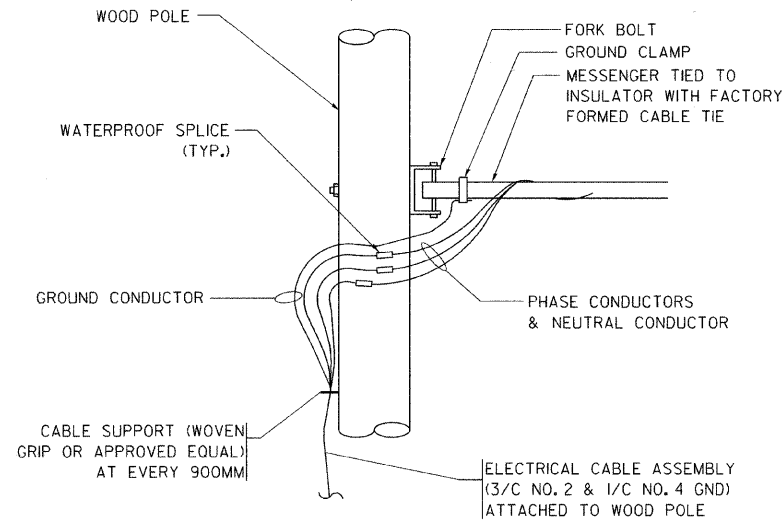
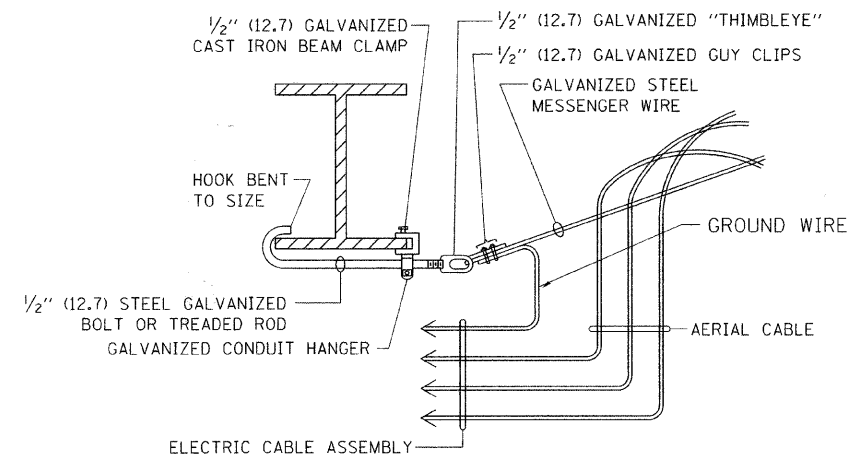


F.A. RTE.	SECTION	COUNTY	TOTAL SHEETS	SHEET NO.
350	00-00242-00-CH	COOK	129	111
STA.		TO STA.		
FED. ROAD DIST. NO.		ILLINOIS	FED. AID PROJECT	



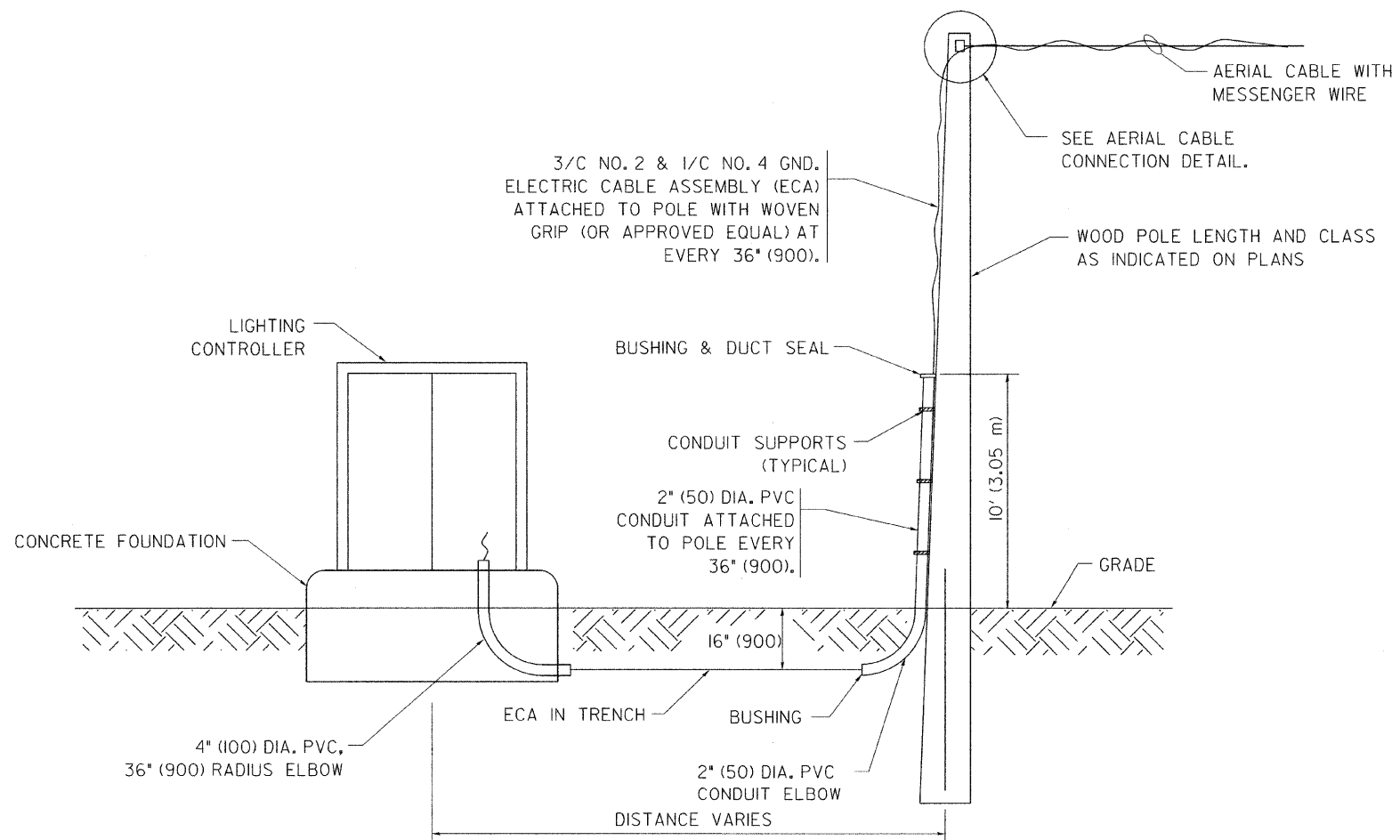
**AERIAL CABLE CONNECTION DETAIL**  
N.T.S.



**AERIAL CABLE ATTACHED TO STRUCTURE**  
NOT TO SCALE

**NOTES:**

1. ALL DIMENSIONS IN INCHES (MILLIMETERS) UNLESS OTHERWISE INDICATED.
2. SEE PROPOSED LIGHTING PLAN FOR CONDUIT, CABLE AND ROUTING.
3. THE CONTRACTOR SHALL PROVIDE INTERMEDIATE SUPPORTS TO MAINTAIN MINIMUM CLEARANCES. REFER TO AERIAL AERIAL CABLE ATTACHED TO STRUCTURE DETAIL.
4. COST OF SPLICES AND MOUNTING HARDWARE SHALL BE INCLUDED IN THE UNIT PRICE FOR AERIAL CABLE.



**WOOD POLE TO LIGHTING CONTROLLER WIRING CONNECTION DETAIL**  
N.T.S.

REVISIONS		ILLINOIS DEPARTMENT OF TRANSPORTATION
NAME	DATE	
		<b>TEMPORARY AERIAL CABLE INSTALLATION</b>  SCALE: VERT.     DRAWN BY HORIZ.            CHECKED BY DATE: 1/17/2007     BE-801 REVISION DATE: 01/01/07

PLOT DATE = 1/17/2007  
 FILE NAME = c:\pco\pca\ndt\std\bae801.dgn  
 PLOT SCALE = 50,000 / 1 IN.  
 USER NAME = jlr104hd