

MATCH LINE STA. 40+00
(SEE SHEET NO. 30)

MATCH LINE STA. 54+00


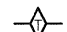
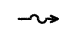
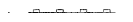

MATCH LINE STA. 54+00

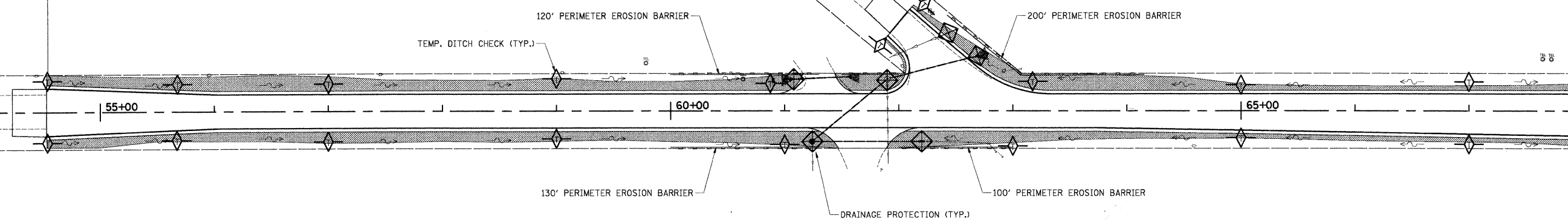
MATCH LINE STA. 68+00
(SEE SHEET NO. 32)

40+00 45+00 50+00

PROJECT OMISSION
STA. 34+03 TO STA. 54+53
WASTE MANAGEMENT OF ILLINOIS
(BY OTHERS)

LEGEND

-  SEEDING CLASS 2A
-  TEMPORARY DITCH CHECK
-  DITCH FLOW
-  PERIMETER EROSION BARRIER
-  DRAINAGE PROTECTION
(PAID FOR AS PERIMETER EROSION BARRIER)
(INSTALL PER IDOT STD. 280001-04)



FILE NAME = j:\2211\oad\sheet\2211-sht-ec2.dgn	USER NAME = ara	DESIGNED - RJD	REVISED -	STATE OF ILLINOIS DEPARTMENT OF TRANSPORTATION	LANDSCAPING AND EROSION CONTROL PLAN VIRGINIA ROAD	F.A. RTE.	SECTION	COUNTY	TOTAL SHEETS	SHEET NO.
	PLOT SCALE = 5/8" = 1' IN.	DRAWN - ARA	REVISED -			0121	03-00362-00-PV	MCHENRY	54	31
	PLOT DATE = 5/27/2009	CHECKED - GAB	REVISED -			CONTRACT NO. 63195				
	DATE - 5-28-09	REVISED -		SCALE: 1"=50'	SHEET NO. 2 OF 3 SHEETS	STA. 40+00 TO STA. 68+00	FED. ROAD DIST. NO.	ILLINOIS FED. AID PROJECT: M-9003(255)		