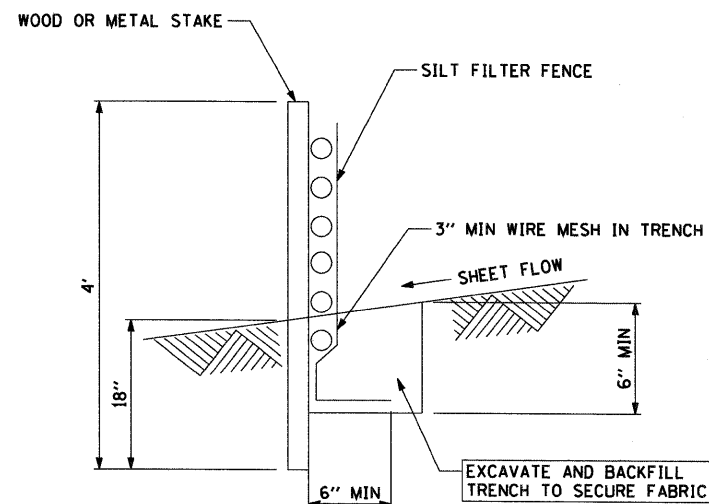


ELEVATION



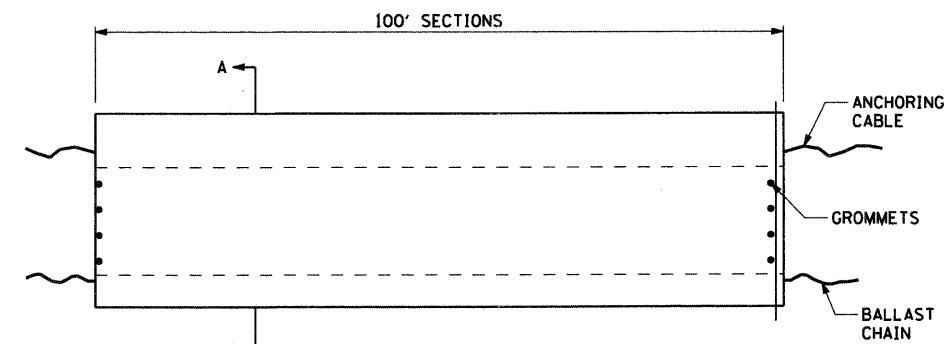
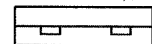
SECTION A-A

NOTES:

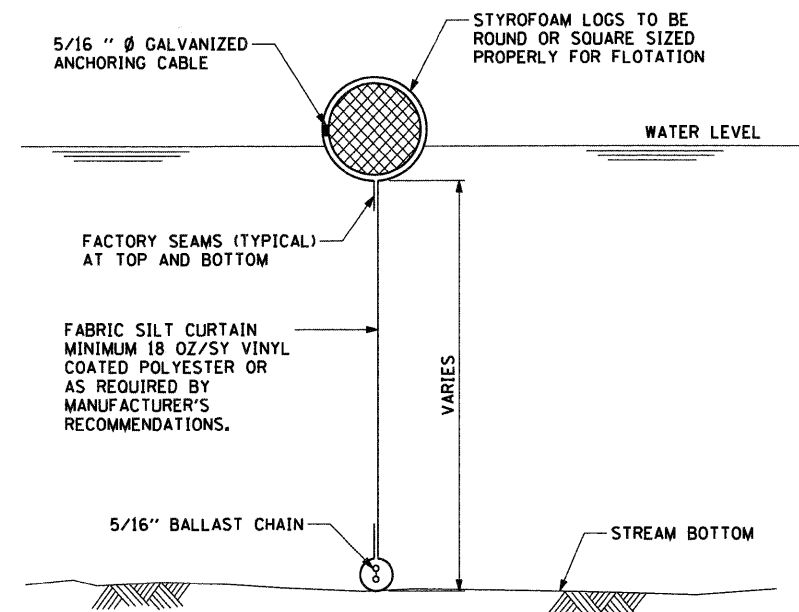
- PERIMETER EROSION BARRIER SHALL BE INSTALLED PRIOR TO ANY GRADING WORK IN THE AREA TO BE PROTECTED. IT SHALL BE MAINTAINED THROUGHOUT THE CONSTRUCTION PERIOD AND REMOVED IN CONJUNCTION WITH THE FINAL GRADING AND SITE STABILIZATION.
- WIRE MESH SHALL MEET THE REQUIREMENTS OF STANDARD SPECIFICATION ARTICLE 1081.15(d)

PERIMETER EROSION BARRIER WITH WIRE SUPPORT

STANDARD SYMBOL



ELEVATION



SECTION A-A

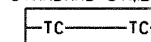
NOTES:

- TURBIDITY CURTAIN SHALL BE ANCHORED TO PREVENT DRIFT SHOREWARD OR DOWNSTREAM. ANCHORAGES SHALL BE INSTALLED ON BOTH SHORE AND STREAM SIDE. CURTAINS ARE NOT TO BE INSTALLED ACROSS FLOWING BODY OF WATER.
- SHORE ANCHORS SHALL CONSIST OF A POST WITH DEADMAN OR APPROVED EQUAL. STREAM ANCHORS SHALL BE OF SUFFICIENT SIZE TO STABILIZE THE CURTAIN WITH NUMBER AND SPACING DEPENDENT ON WATERWAY VELOCITIES.
- FABRIC SECTIONS SHALL BE CONNECTED END TO END WITH MINIMUM 5/8" DIAMETER POLYPROPYLENE ROPE.
- DESIGN OF CURTAIN AND ANCHORAGE SHALL BE IN ACCORDANCE WITH MANUFACTURER'S RECOMMENDATIONS. BOTTOM OF CURTAIN SHALL REACH BOTTOM OF WATERWAY USING ONE OR TWO VERTICAL SECTIONS AS REQUIRED.
- MAINTENANCE SHALL BE PERFORMED AS NEEDED. CONTRACTOR SHALL REMOVE THE CURTAIN AT COMPLETION OF WORK IN A MANNER THAT WILL PREVENT SILTATION OF THE WATERWAY.

APPLICATION: TURBIDITY CURTAINS TO BE USED TO CONTROL TURBIDITY AND DEBRIS WHEN WORKING IN WATERWAYS.

TURBIDITY CURTAIN

STANDARD SYMBOL



FILE NAME = P:\P6009873\9800_CADD\901_Drawing\Sheets\Civil\016009873-shc-detail1.dgn

AECOM

USER NAME = holmann
PLOT SCALE = 1:800 / 1" IN.
PLOT DATE = 5/22/2009

DESIGNED -
DRAWN - NJH
CHECKED - RMG
DATE - MARCH 20, 2009

REVISED -
REVISED -
REVISED -
REVISED -

MCHENRY COUNTY
DIVISION OF TRANSPORTATION

ROADWAY DETAILS - TEMPORARY EROSION CONTROL

SCALE: NTS SHEET NO. 1 OF 1 SHEETS

F.A.S. RTE.	SECTION	COUNTY	TOTAL SHEETS	SHEET NO.
0031	06-00323-00-BR	MCHENRY	53	19
CONTRACT NO. 63218				
FED. ROAD DIST. NO. 1 [ILLINOIS] FED. AID PROJECT				