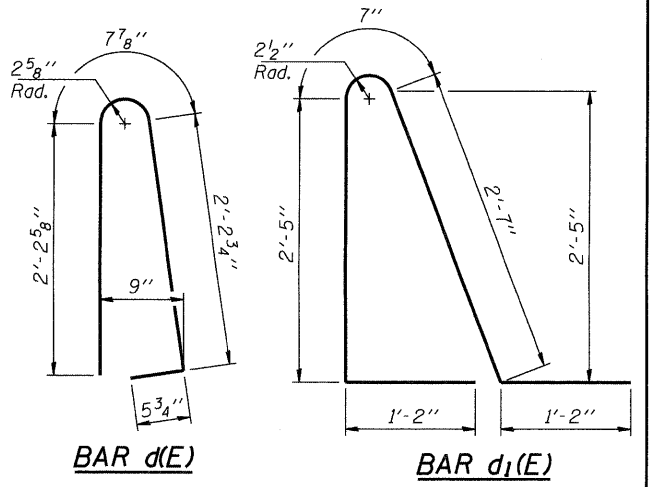
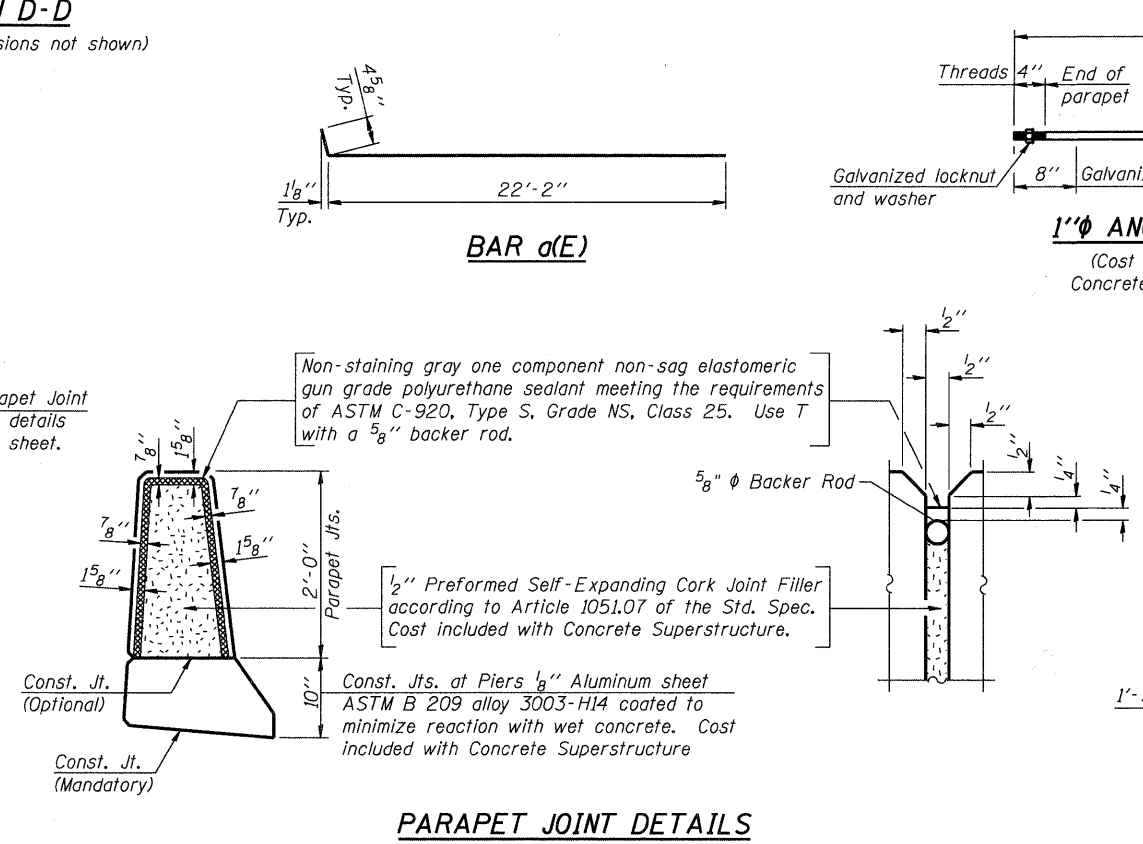
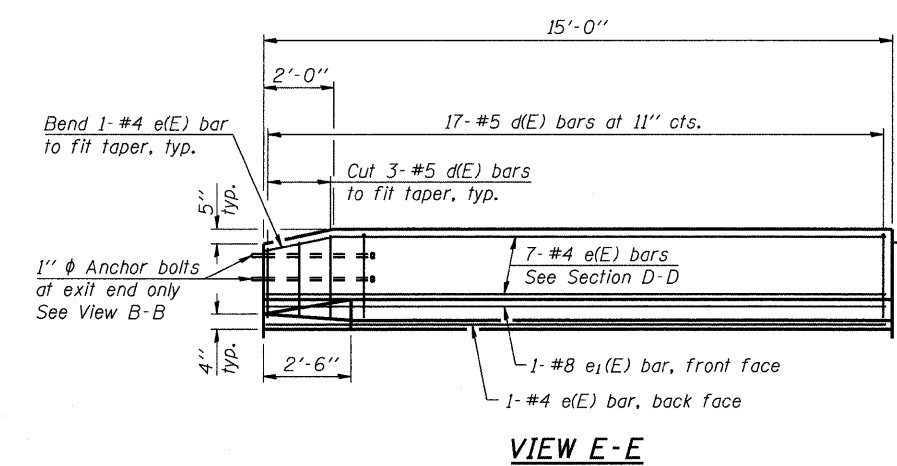
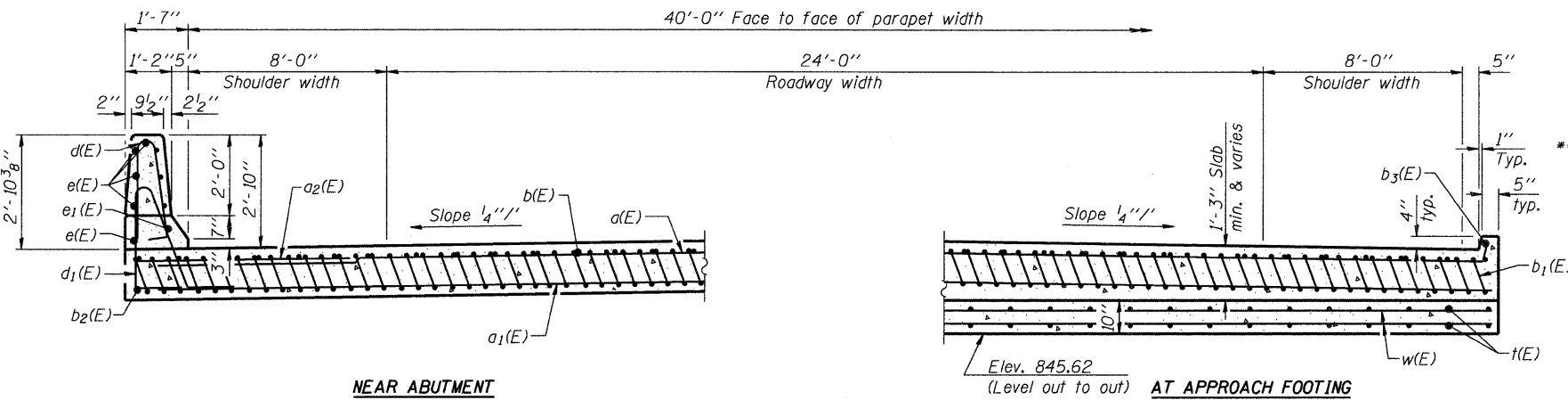
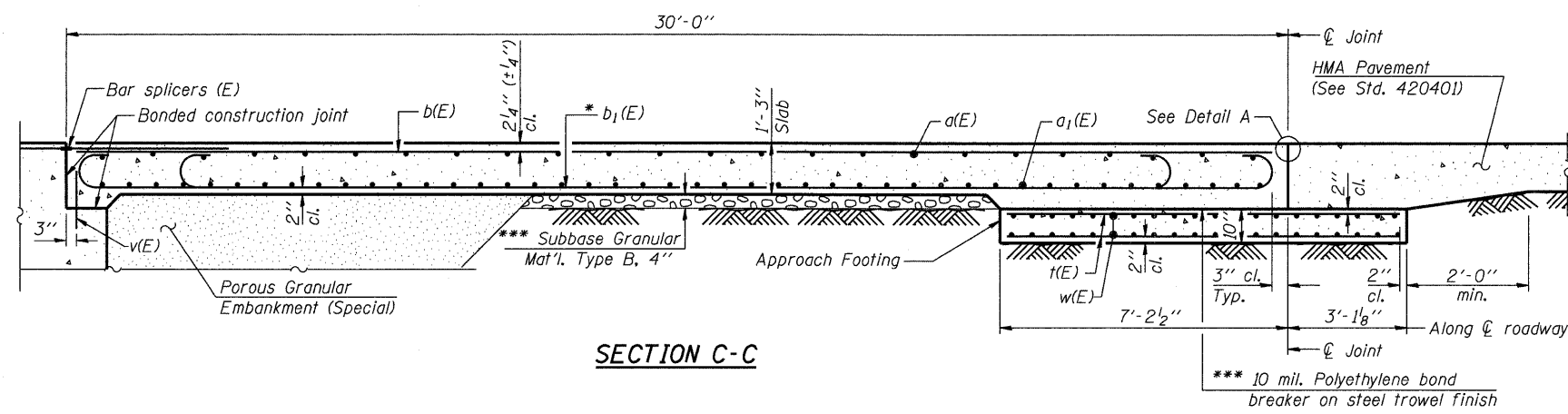


NOTES:

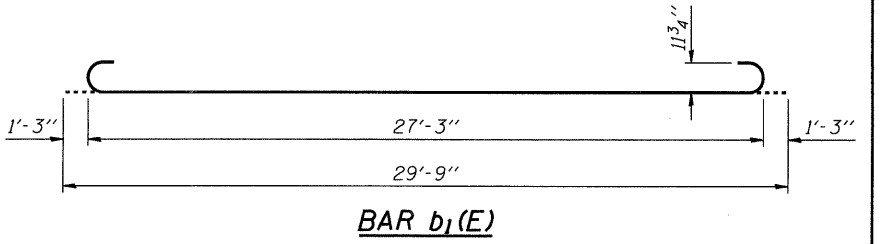
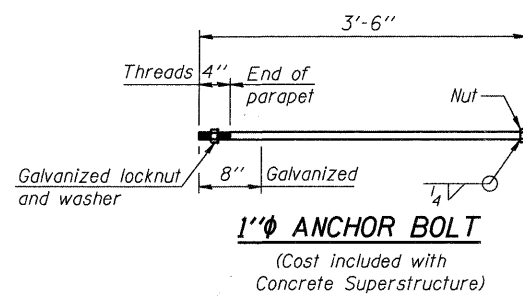
See sheet S-11 for Detail A and View B-B.
 Approach slab and parapet concrete shall be paid for as Concrete Superstructure.
 Approach footing concrete shall be paid for as Concrete Structures.
 Reinforcement shall be paid for as Reinforcement Bars, Epoxy Coated.
 For v(E) bar details, see sheet S-10.
 The approach footing maximum applied service bearing pressure (Qmax) = 2.0 ksf.
 For bar splicer details, see sheet S-21.
 Cost of excavation for approach footing included with Concrete Structures.
 For Porous Granular Embankment (Special) and drainage treatment details, see sheet S-2.



* Tilt #9 b1(E) bars as required to maintain clearance.
 *** Cost included with Concrete Superstructure.

**TWO APPROACHES
 BILL OF MATERIAL**

Bar	No.	Size	Length	Shape
a(E)	100	#4	22'-7"	U
a1(E)	184	#5	23'-2"	—
a2(E)	48	#6	6'-0"	—
b(E)	84	#4	29'-8"	—
b1(E)	194	#9	29'-9"	U
b2(E)	4	#4	14'-8"	—
b3(E)	4	#4	14'-9"	—
d(E)	68	#5	5'-7"	U
d1(E)	68	#5	7'-11"	U
e(E)	32	#4	14'-8"	—
e1(E)	4	#8	14'-8"	—
t(E)	172	#4	10'-0"	—
w(E)	160	#5	22'-6"	—
Concrete Superstructure		Cu. Yd.	133.9	
Concrete Structures		Cu. Yd.	26.6	
Reinforcement Bars, Epoxy Coated		Pound	34,090	
Protective Coat		Sq. Yd.	300	
Bridge Deck Grooving		Sq. Yd.	253.3	



FILE NAME: \\anchorage\p207\p60095673\p60095673\980_cad\981_drawing\sheet\structure\056-3177_60095673_612_Bridge_Approach_Slab_Details_11.dwg