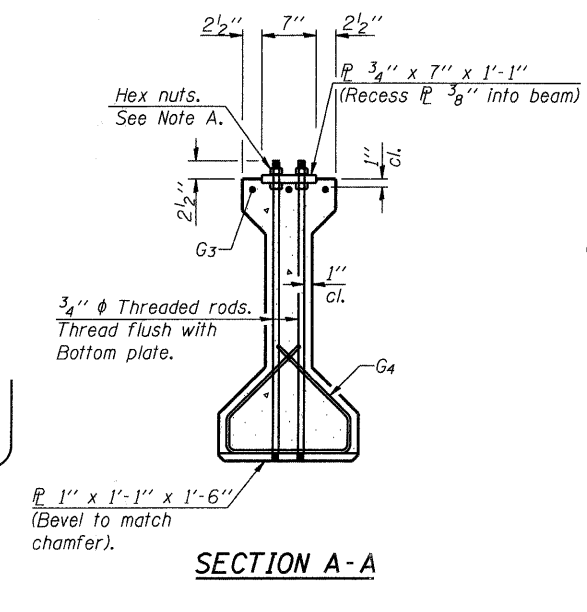


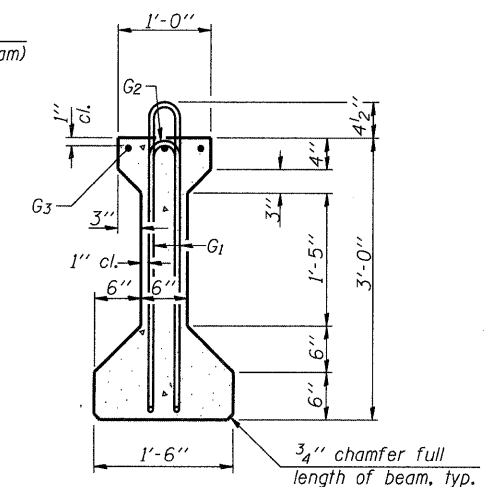
ELEVATION OF BEAM
(Showing reinforcement & dimensions)

* 3 spaces at 3" = 9".
** 4-3/4" φ threaded dowel rods at 3" cts., Each Face

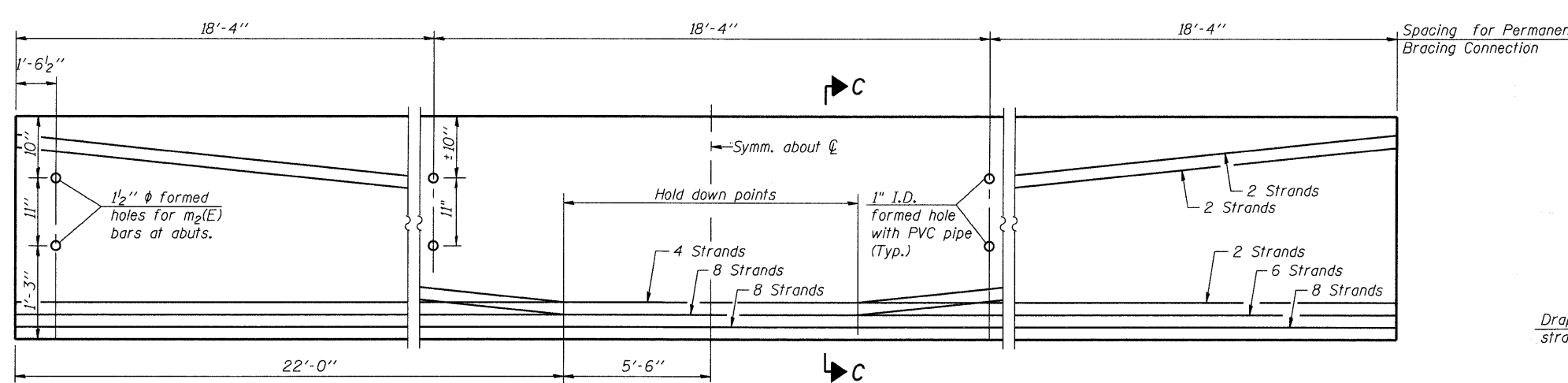
Note A:
Hex nuts (top and bottom) with lock washers (top). Only tighten sufficiently to compress lock washers.



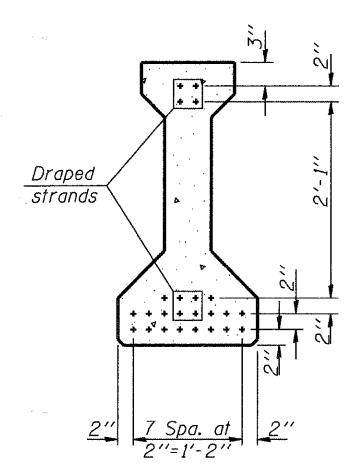
SECTION A-A



SECTION B-B



ELEVATION OF BEAM
(Showing prestressing steel)



SECTION C-C

*****BAR LIST
ONE BEAM ONLY**

Bar	No.	Size	Length	Shape
G ₁	94	#4	7'-5"	∩
G ₂	8	#4	5'-8"	∩
G ₃	6	#5	28'-6"	—
G ₄	38	#3	4'-1"	∩
G ₆	2	#8	6'-6"	U

***For information only

Notes:
See sheet S-16 for additional details and Bill of Material.
Required release strength, f'ci, shall be 6000 psi.

FILE NAME = \\naschj1p207\p60095873\p60095873\06_cad\981_drawing\sheet\structure\056-3177_60095873_S14_Beam_Details.dwg

AECOM	USER NAME = debezicd	DESIGNED - DD	REVISED -	MCHENRY COUNTY DIVISION OF TRANSPORTATION	36" PPC I-BEAM DETAILS - SPAN 1 STRUCTURE NO. 056-3177		F.A.S. RTE.	SECTION	COUNTY	TOTAL SHEETS	SHEET NO.
	PLOT SCALE = 0:1 1/2" / IN.	DRAWN - DD	REVISED -		SCALE:	SHEET NO. 1 OF 3 SHEETS	STA. TO STA.	0031	06-00323-00-BR	MCHENRY	53
	PLOT DATE = 5/28/2009	CHECKED - ATB	REVISED -				CONTRACT NO. 63218				
		DATE - 3/18/2009	REVISED -				FED. ROAD DIST. NO. 1 ILLINOIS FED. AID PROJECT				