

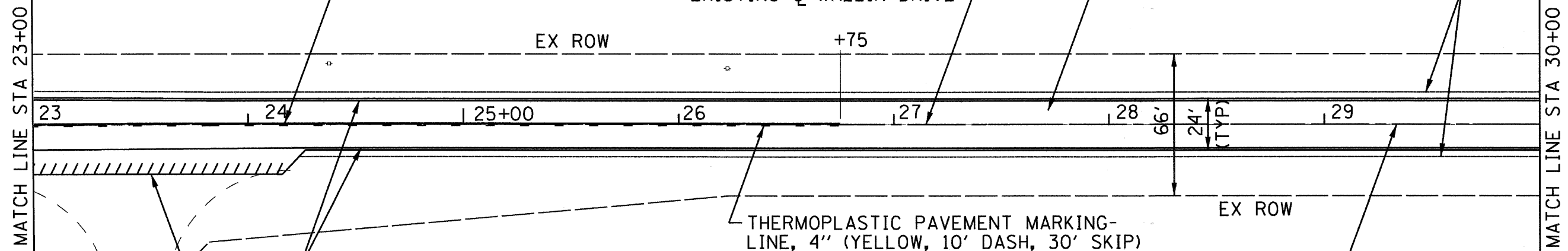


THERMOPLASTIC PAVEMENT MARKING LINE, 4" (YELLOW)

HMA SURFACE COURSE, MIX "D", N70 - 1 1/2" LEVELING BINDER (MM) N70 - 3/4"

EXISTING ϕ WALLIN DRIVE

AGGREGATE SHOULDERS, TYPE B



EX ROW

+75

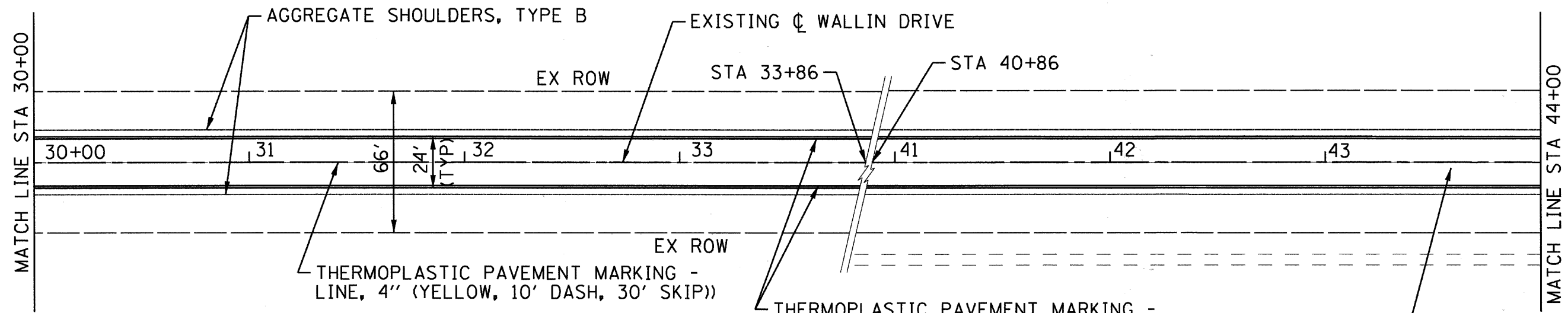
EX ROW

THERMOPLASTIC PAVEMENT MARKING - LINE, 4" (YELLOW, 10' DASH, 30' SKIP)

THERMOPLASTIC PAVEMENT MARKING - LINE, 4" (WHITE EDGE LINE)

THERMOPLASTIC PAVEMENT MARKING - LINE, 4" (YELLOW, 10' DASH, 30' SKIP)

HMA SURFACE REMOVAL - BUTT JOINT



AGGREGATE SHOULDERS, TYPE B

EXISTING ϕ WALLIN DRIVE

EX ROW

STA 33+86

STA 40+86

THERMOPLASTIC PAVEMENT MARKING - LINE, 4" (YELLOW, 10' DASH, 30' SKIP)

THERMOPLASTIC PAVEMENT MARKING - LINE, 4" (WHITE EDGE LINE)

HMA SURFACE COURSE, MIX "D", N70 - 1 1/2" LEVELING BINDER (MM) N70 - 3/4"

COPYRIGHT © 2009, BY BAXTER & WOODMAN, INC. STATE OF ILLINOIS - PROFESSIONAL DESIGN FIRM LICENSE NO. - 184-001121 - EXPIRES 4/30/2011 566bcd 8/19/2009 7:55:51AM

Baxter & Woodman
 Digital Lake, Illinois 815.438.1200
 Burlington, Wisconsin 882.782.7824
 Moline, Illinois 782.478.2000
 DeKalb, Illinois 815.787.9111
 Oregonside, Illinois 847.223.0088
 Chicago, Illinois 312.278.0030
 Plainfield, Illinois 815.608.7425

USER NAME = 566bcd	DESIGNED - JGH	REVISED - IDOT REVIEW 6-29-09
FILE NAME = 090439-Plan02.sht	DRAWN - BCD	REVISED - IDOT REVIEW 8-17-09
PLOT DATE = 8/19/2009	CHECKED - NJP	REVISED -
	DATE - 6-30-09	REVISED -

VILLAGE OF PLAINFIELD, ILLINOIS
FAU ROUTE 0349 WALLIN DRIVE
LAPP IMPROVEMENTS

RESURFACING & PAVEMENT MARKING PLAN	
SCALE: 1"=50'	STA. TO STA.

F.A. RTE.	SECTION	COUNTY	TOTAL SHEETS	SHEET NO.
*	09-00045-00-RS	WILL	12	6
FED. ROAD DIST. NO.		CONTRACT NO. 63226		
C-91-725-09	ILLINOIS	FED. AID PROJECT ARA-9003-1396		