

**EROSION CONTROL NOTES**

ANY AREA WHERE THERE IS NO PROPOSED GRADING OR WORK, THE EXISTING GROUND COVER SHALL REMAIN.

IT IS THE RESPONSIBILITY OF THE CONTRACTOR TO INSURE THAT SEDIMENT TRANSPORT OFF THE SITE IS REDUCED BY A COMBINATION OF MINIMIZATION OF EROSION AT THE SOURCE AND INSTALLATION OF SPECIFIC MEASURES TO CONTROL OR REDUCE THE TRANSPORT OF SEDIMENT. A COPY OF THE EROSION CONTROL PLAN BEING IMPLEMENTED BY THE CONTRACTOR WILL BE ON THE CONSTRUCTION SITE AT ALL TIMES.

DISTURBED AREAS ARE TO BE PROTECTED FROM EROSION IN A TIMELY MANNER. UPON COMPLETION OF GRADING OR CONSTRUCTION, THE AREA WILL BE STABILIZED (USING PERMANENT MEASURES WHEN POSSIBLE) WITHIN 7 CALENDAR DAYS. TEMPORARY STABILIZATION THROUGH THE USE OF EROSION CONTROL BLANKET OR OTHER APPROVED MEASURE WILL BE INSTALLED WHENEVER SITE DEVELOPMENT WORK, GRADING OR OTHER EARTH DISTURBING ACTIVITIES CEASE TO BE CONTINUOUS FOR A PERIOD EXCEEDING 14 DAYS.

THE EROSION CONTROL BLANKET REQUIRED IS CONSIDERED INCIDENTAL TO THE PAY ITEM "RESTORATION."

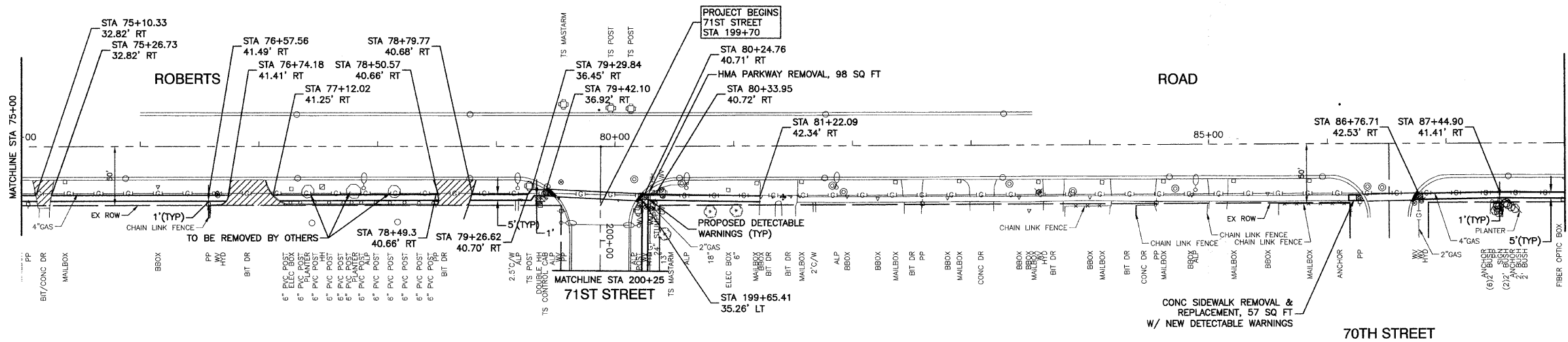
THE CONTRACTOR SHALL DESIGNATE ONE OF HIS EMPLOYEES AS RESPONSIBLE FOR IMPLEMENTATION OF THE EROSION AND SEDIMENT CONTROL PLAN ON ALL DISTURBED AREAS. THIS PERSON IS TO BE KNOWLEDGEABLE ABOUT INSTALLATION AND MAINTENANCE OF THE REQUIRED MEASURES. THIS PERSON IS TO HAVE THE AUTHORITY TO CARRY OUT THE PLAN GIVEN BY THE ENGINEER ON A REGULAR BASIS (AT LEAST ONCE EVERY 7 DAYS) AND AFTER RAINFALL EVENTS GREATER THAN 1/2".

UNLESS OTHERWISE INDICATED, ALL VEGETATIVE AND STRUCTURE EROSION AND SEDIMENT CONTROL PRACTICES WILL BE CONSTRUCTED ACCORDING TO THE MINIMUM STANDARDS AND SPECIFICATIONS IN THE ILLINOIS URBAN MANUAL REVISED FEBRUARY 2002.

THE CONTRACTOR SHALL BE RESPONSIBLE FOR CONTROLLING THE DUST AND AIRBORNE DIRT GENERATED BY HIS/HER CONSTRUCTION ACTIVITIES. THIS WORK WILL BE DONE ACCORDING TO SECTION 107.36 OF THE STANDARD SPECIFICATIONS.

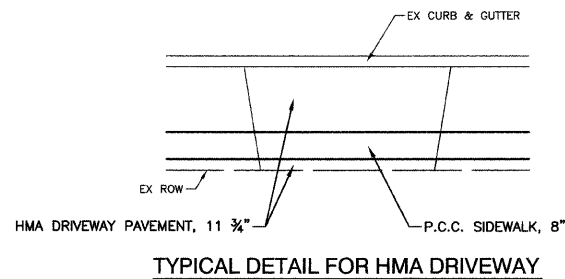
THE CONTRACTOR MUST TAKE MEASURES TO MINIMIZE SOIL TRACKED ONTO PUBLIC, AND PRIVATE ROADS, INCLUDING THE USE OF STABILIZED CONSTRUCTION ENTRANCES AND VEHICLE WASHDOWN FACILITIES WHERE APPROPRIATE. ANY SEDIMENT REACHING A PUBLIC OR PRIVATE ROAD SHALL BE REMOVED BY SHOVELING OR STREET CLEANING (NOT FLUSHING) BEFORE THE END OF THE WORK DAY AND TRANSPORTED TO A CONTROLLED SEDIMENT DISPOSAL AREA.

THIS WORK WILL NOT BE PAID FOR SEPARATELY BUT WILL BE CONSIDERED INCIDENTAL TO THE CONTRACT.

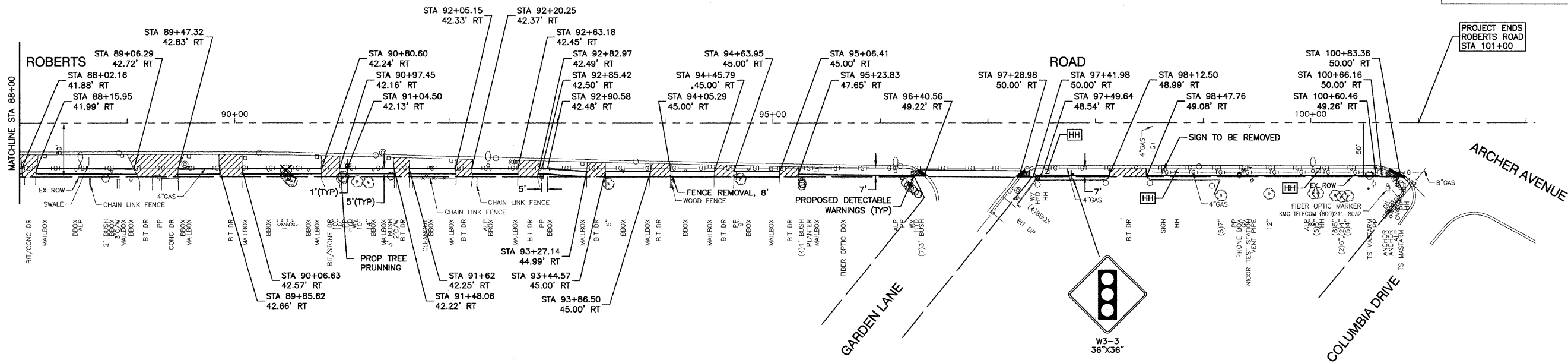


**LEGEND**

- TREE TO BE REMOVED
- CONC CURB AND GUTTER REMOVAL & REPLACE (10' TYPICAL PER LOCATION UNLESS OTHERWISE NOTED)
- PROPOSED DRIVEWAY PAVEMENT REMOVAL & REPLACE W/ PORTLAND CEMENT CONCRETE DRIVEWAY PAVEMENT, 8" OR HOT-MIX ASPHALT DRIVEWAY PAVEMENT, 11 3/4" (SEE "HMA DRIVEWAY DETAIL")
- DETECTABLE WARNINGS (8 SQ FT EACH LOCATION)
- MANHOLES TO BE ADJUSTED
- FIRE HYDRANT TO BE REMOVED AND RELOCATED
- VALVE VAULTS TO BE ADJUSTED
- HANDHOLE TO BE ADJUSTED
- CATCH BASIN TO BE ADJUSTED



NOTE:  
ALL SIDEWALK WILL HAVE A MINIMUM THICKNESS OF 5" UNLESS WHEN CROSSING A DRIVEWAY THEN MINIMUM THICKNESS SHALL BE 8"



FILE NAME = 08291-PLAN-01 - IDOT P04	USER NAME =	DESIGNED - RJW	REVISED -
		CHECKED - RJW	REVISED -
	PLOT SCALE =	DRAWN - PS	REVISED -
	PLOT DATE = 08-20-09	CHECKED - AG	REVISED -

STATE OF ILLINOIS  
DEPARTMENT OF TRANSPORTATION

SIDEWALK IMPROVEMENTS  
ROBERTS ROAD - 83RD STREET TO ARCHER AVENUE

F.A.U. RTE. 2757/11537	SECTION 09-00060-00-SW	COUNTY COOK	TOTAL SHEETS 35	SHEET NO. 8
CONTRACT NO. 63228				
FED. ROAD DIST. NO. 1 ILLINOIS FED. AID PROJECT M-9003(325)				

SCALE: 1"=50' SHEET NO. 8 OF 35 SHEETS STA. TO STA.