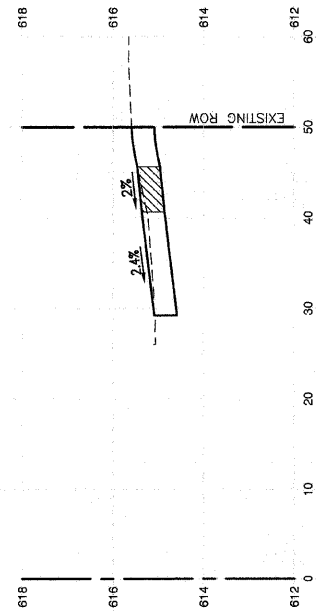
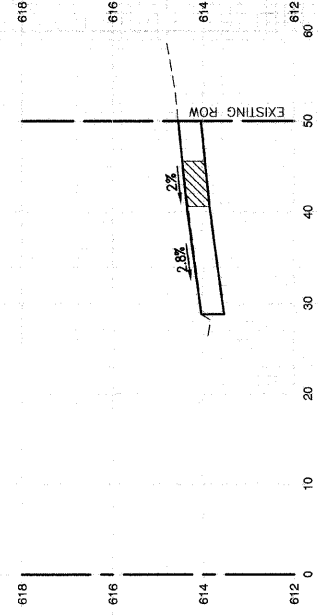


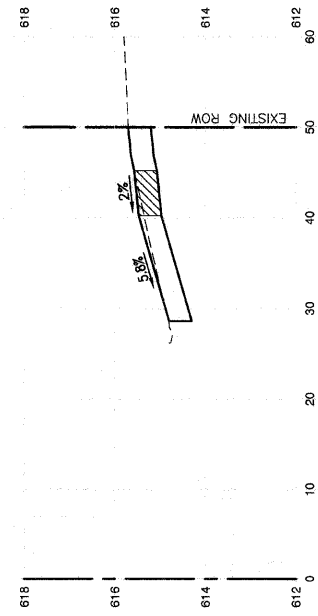
59+46.50



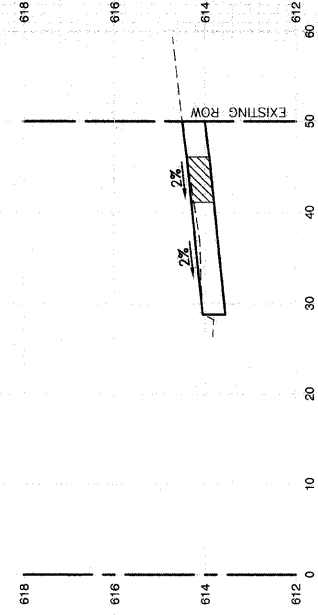
70+56



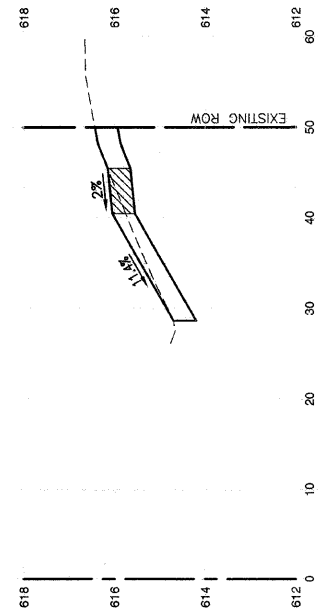
58+38



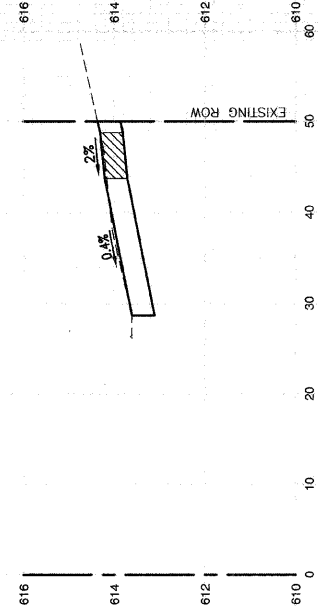
70+32



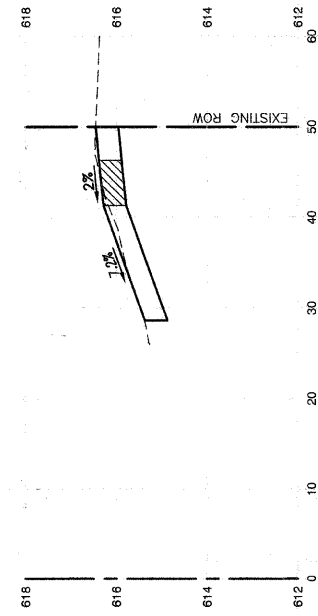
57+78



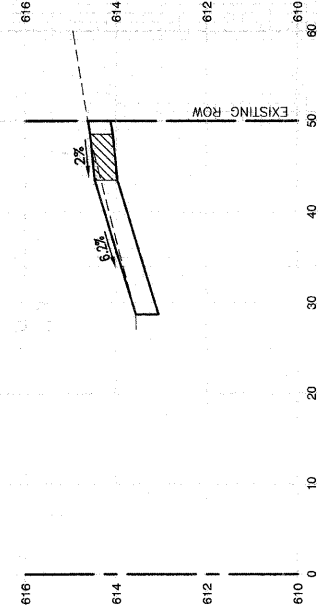
69+47



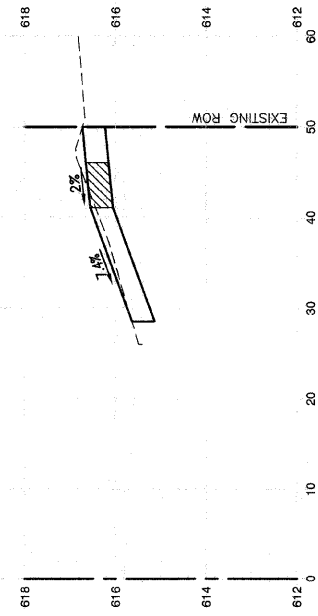
55+96.50



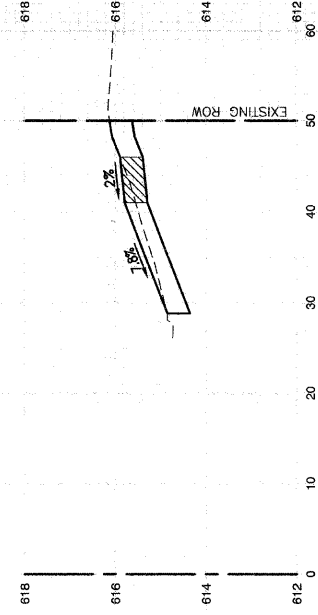
67+45.50



55+68.50



60+38.50



FILE NAME = 09291.XSEC 01 - X03	USER NAME =	DESIGNED -- RJW	REVISED --
		CHECKED -- RJW	REVISED --
	PLOT SCALE =	DRAWN -- PS	REVISED --
	PLOT DATE = 08-20-09	CHECKED -- AG	REVISED --

STATE OF ILLINOIS
DEPARTMENT OF TRANSPORTATION

SIDWALK IMPROVEMENTS CROSS SECTIONS AT DRIVEWAY LOCATIONS ROBERTS ROAD		F.A.U. RTE. 2757/1537	SECTION 09-00060-00-SW	COUNTY COOK	TOTAL SHEETS 35	SHEET NO. 27
SCALE: H 1"=10' V 1"=2'		SHEET NO. 27 OF 35 SHEETS		STA. TO STA.		FED. ROAD DIST. NO. 1 ILLINOIS FED. AID PROJECT M-9003(325)