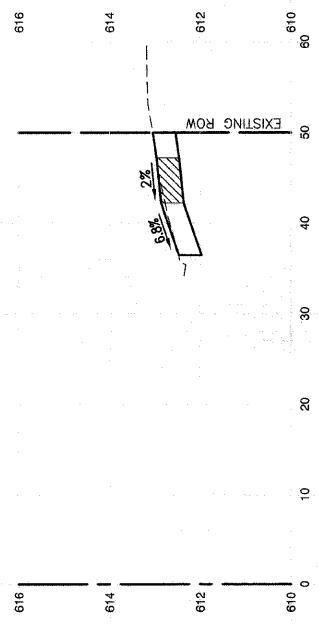
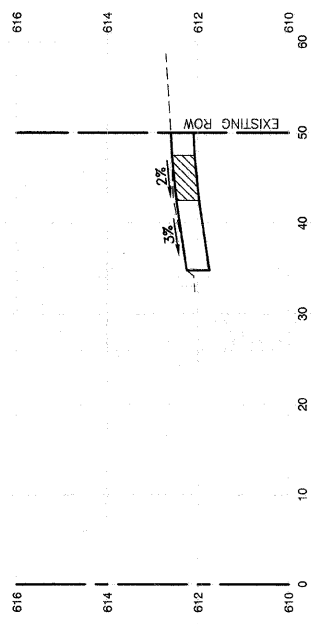


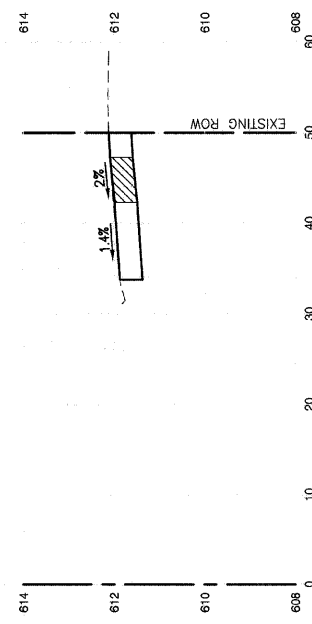
93+36



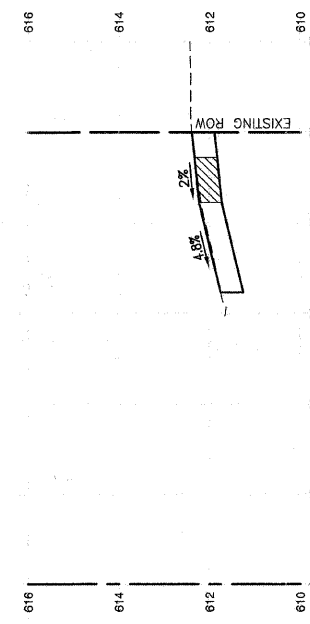
92+72.50



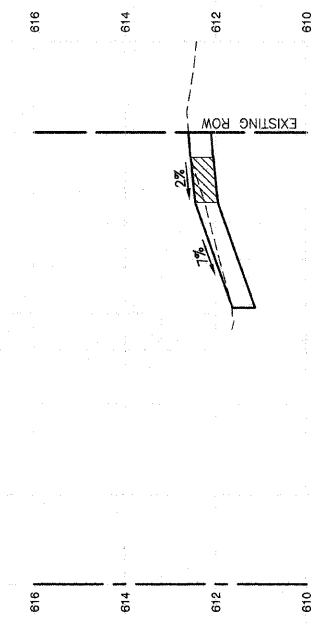
92+13.50



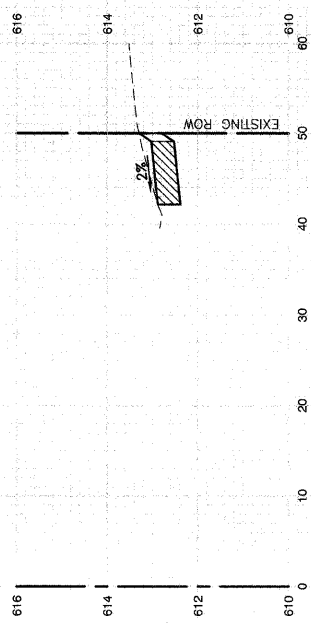
91+55.50



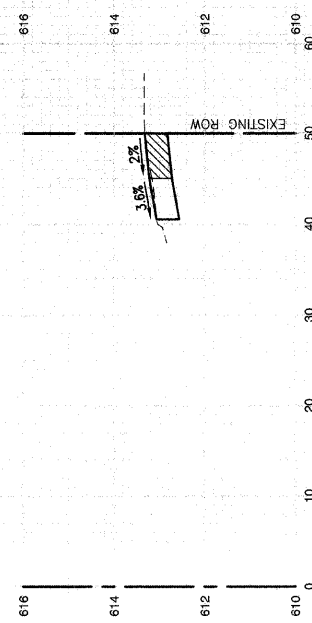
90+89



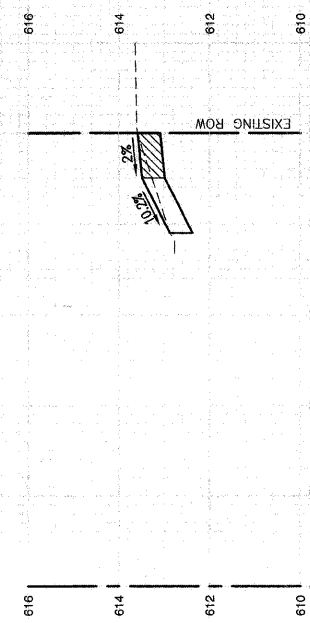
98+30.50



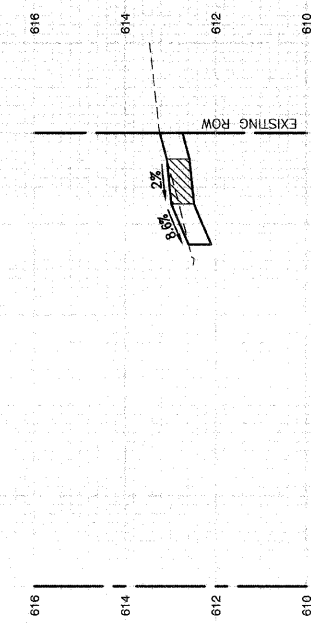
95+15



94+55



93+96



FILE NAME = 09291-XSEC-01 - X05

USER NAME =	DESIGNED -- RJW	REVISED --
	CHECKED -- RJW	REVISED --
PLOT SCALE =	DRAWN -- PS	REVISED --
PLOT DATE = 08-20-09	CHECKED -- AG	REVISED --

STATE OF ILLINOIS
DEPARTMENT OF TRANSPORTATION

SIDEWALK IMPROVEMENTS CROSS SECTIONS AT DRIVEWAY LOCATIONS ROBERTS ROAD			
SCALE: H 1"=10' V 1"=2'	SHEET NO. 29 OF 35 SHEETS	STA.	TO STA.

F.A.U. RTE. 2757/1537	SECTION 09-00060-00-SW	COUNTY COOK	TOTAL SHEETS 35	SHEET NO. 29
FED. ROAD DIST. NO. 1		ILLINOIS		FED. AID PROJECT M-9003(325)
CONTRACT NO. 63228				