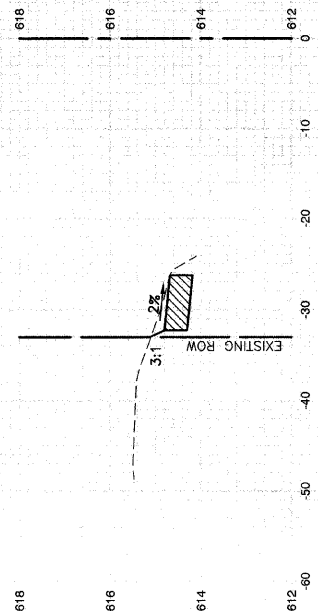
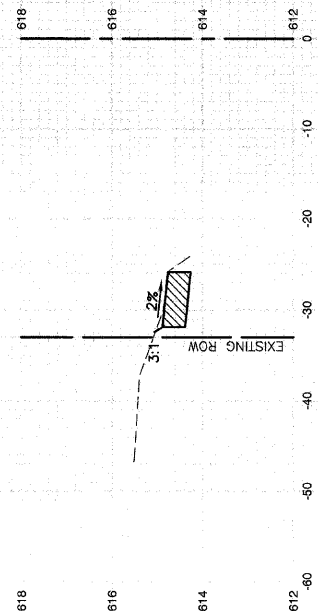


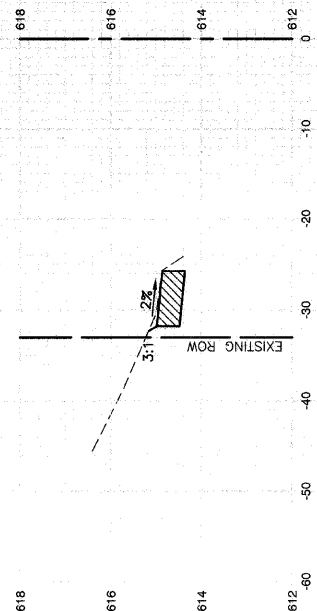
209+00



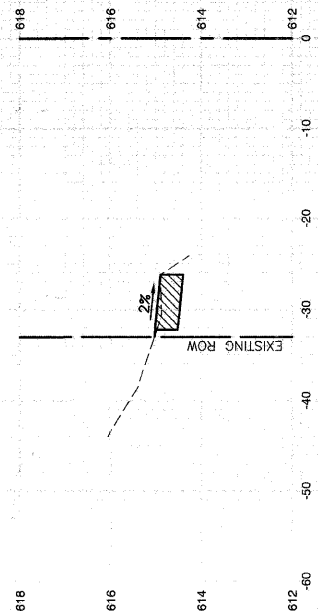
208+50



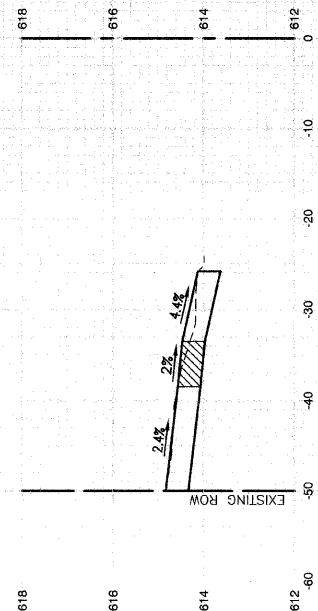
208+00



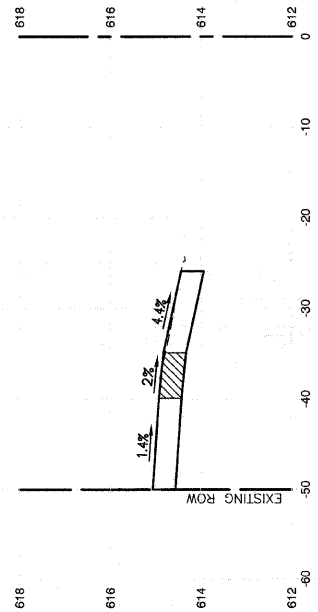
207+50



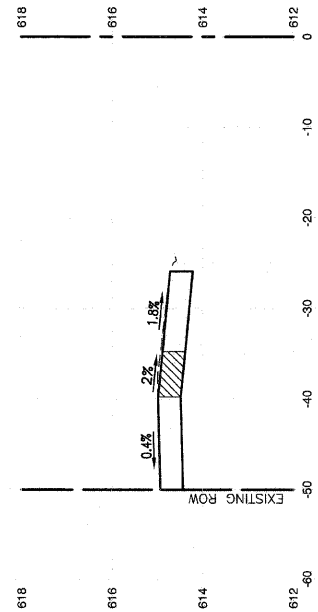
205+89.50



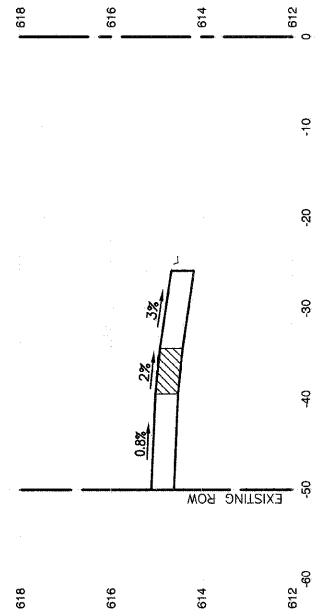
205+06.50



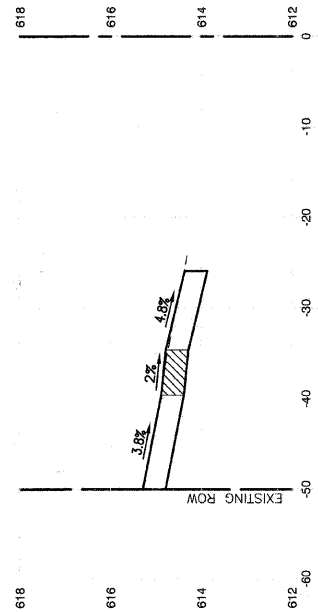
204+59



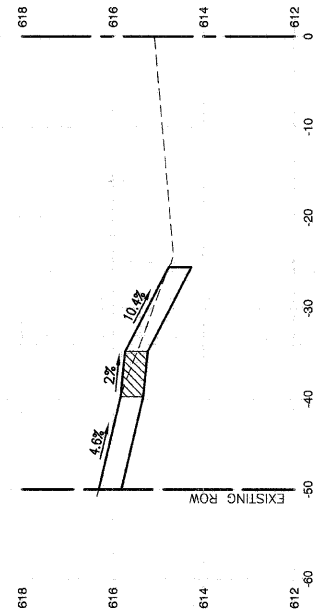
203+61.50



202+64



201+65



FILE NAME = 09291-XSEC-01 -X09

USER NAME =	DESIGNED -- RJW	REVISED --
	CHECKED -- RJW	REVISED --
PLOT SCALE =	DRAWN -- PS	REVISED --
PLOT DATE = 08-20-09	CHECKED -- AG	REVISED --

STATE OF ILLINOIS
DEPARTMENT OF TRANSPORTATION

SIDEWALK IMPROVEMENTS
CROSS SECTIONS
71ST STREET

SCALE: H 1"=10' V 1"=2' SHEET NO. 30 OF 35 SHEETS STA. TO STA.

F.A.U. RTE. 2757/1537	SECTION 09-00060-00-SW	COUNTY COOK	TOTAL SHEETS 35	SHEET NO. 30
FED. ROAD DIST. NO. 1 ILLINOIS		FED. AID PROJECT M-9003(325)		
CONTRACT NO. 63228				