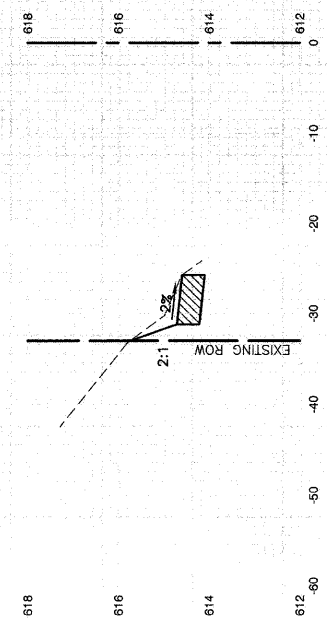
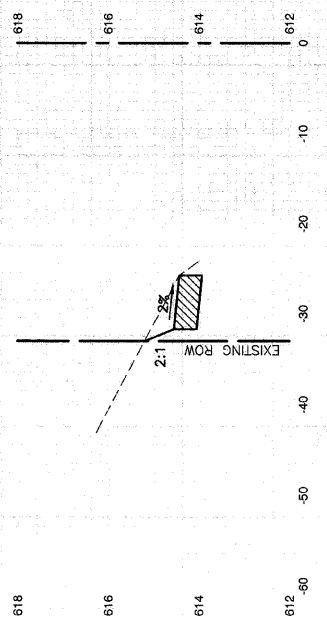


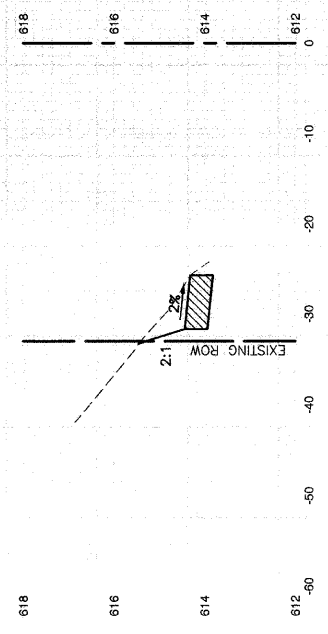
214+50



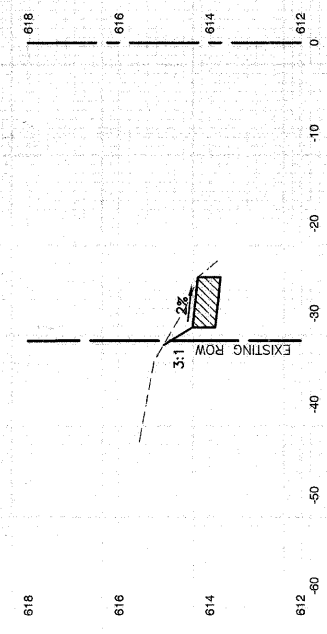
214+00



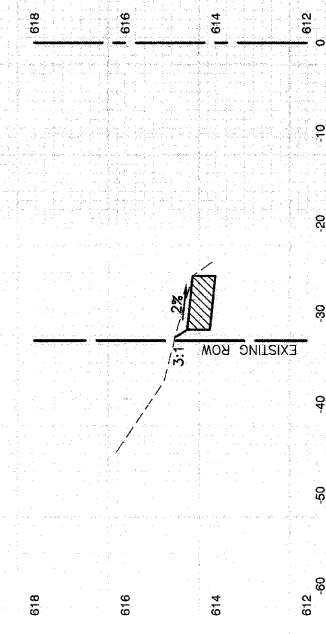
213+50



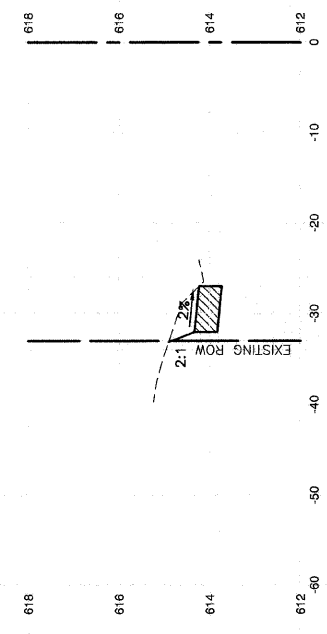
213+00



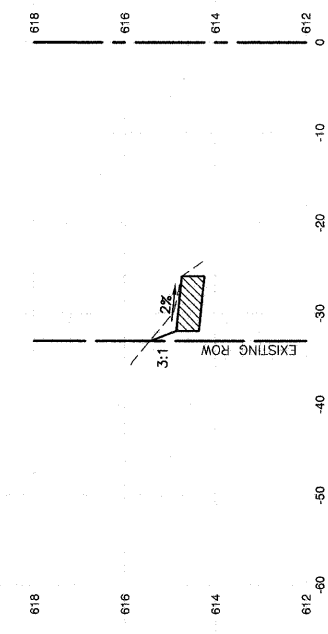
212+50



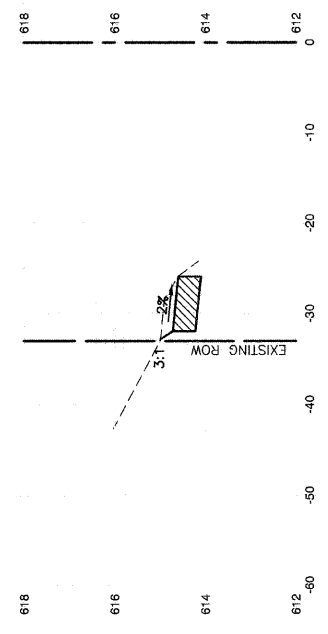
212+00



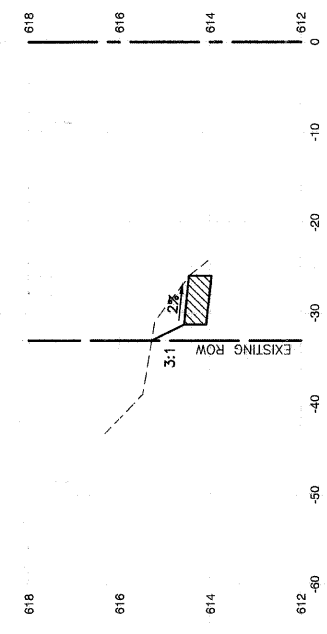
211+00



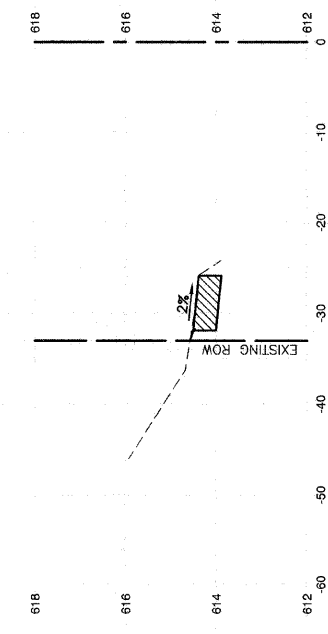
210+50



210+00



209+50



FILE NAME = 09291.XSEC 01 - X10	USER NAME =	DESIGNED -- RJW	REVISED --
		CHECKED -- RJW	REVISED --
	PLOT SCALE =	DRAWN -- PS	REVISED --
	PLOT DATE = 08-20-09	CHECKED -- AG	REVISED --

STATE OF ILLINOIS
DEPARTMENT OF TRANSPORTATION

SIDEWALK IMPROVEMENTS CROSS SECTIONS 71ST STREET		F.A.U. RTE. 2757/1537	SECTION 09-00060-00-SW	COUNTY COOK	TOTAL SHEETS 35	SHEET NO. 31
SCALE: H 1"=10' V 1"=2'		SHEET NO. 31 OF 35 SHEETS		CONTRACT NO. 63228		
STA. TO STA.		FED. ROAD DIST. NO. 1 ILLINOIS FED. AID PROJECT M-9003(325)				