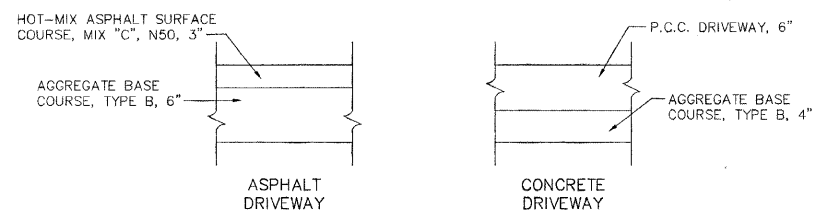
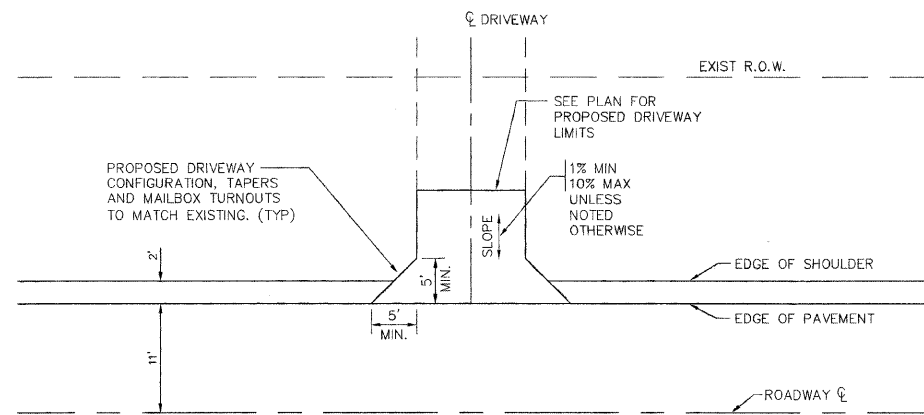
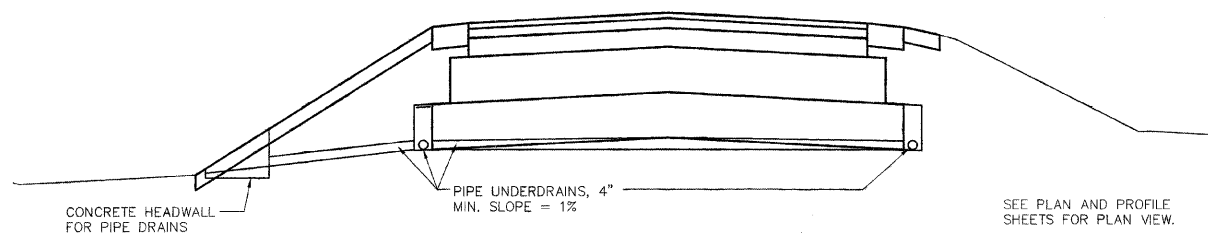


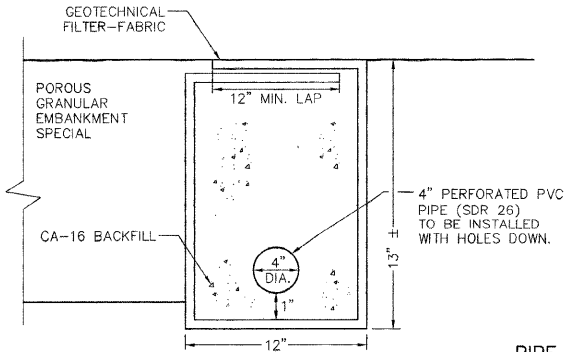
BUTT JOINT DETAIL



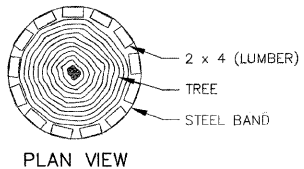
DRIVEWAY DETAIL



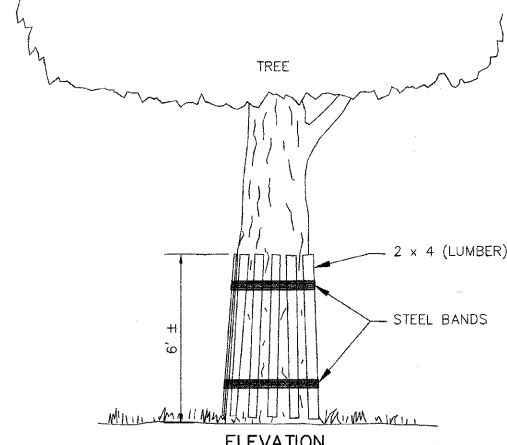
PIPE UNDERDRAIN CROSSING



PIPE UNDERDRAIN DETAIL

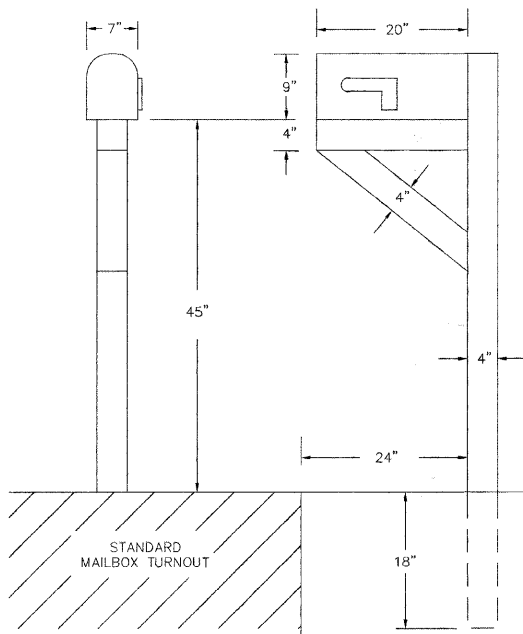


PLAN VIEW



ELEVATION

TREE PROTECTION DETAIL



MAILBOX AND POST DETAIL

PLAN	DATE	BY
SUBMITTED		
PLOTTED		
NOTE BOOK		
NO.		
REVISIONS		
BY	DATE	DESCRIPTION
NO.		
CAD FILE NAME		

PROFILE	DATE	BY
SUBMITTED		
PLOTTED		
NOTE BOOK		
NO.		
REVISIONS		
BY	DATE	DESCRIPTION
NO.		
STRUCTURE		
NOTATION		
CHKD		

A:\11 25 2009 10 35 19 a.m. 2\DWG\10203-SHT-DETAILS.DWG
 P:\03\10203\CAD\PHASE 2\DWG\10203-SHT-DETAILS.DWG
 April 28, 2009 10:35:19 a.m.
 P:\03\10203\CAD\PHASE 2\DWG\10203-SHT-DETAILS.DWG

FILE NAME =	USER NAME =	DESIGNED --	REVISED --
		DRAWN --	REVISED --
		CHECKED --	REVISED --
		DATE --	REVISED --
PLOT SCALE =			
PLOT DATE =			

STATE OF ILLINOIS
DEPARTMENT OF TRANSPORTATION



RAFFEL ROAD IMPROVEMENTS
SPECIAL DETAILS

F.A.U. RTE.	SECTION	COUNTY	TOTAL SHEETS	SHEET NO.
041	09-00110-00-PV	McHENRY	22	21
RAFFEL ROAD		CONTRACT NO. 63283		
FED. ROAD DIST. NO. 1 ILLINOIS FED. AID PROJECT ARA-9003(445)				

SCALE: SHEET NO. OF SHEETS STA. 31+00 TO STA. 36+50