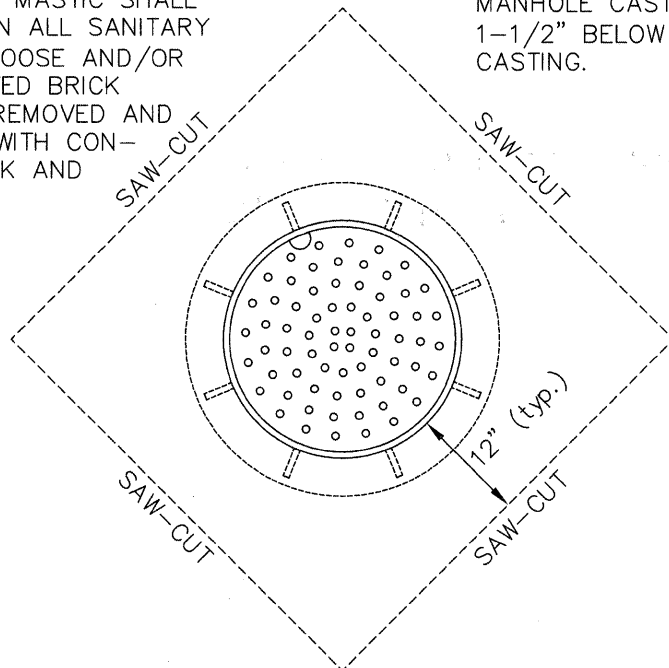


SET CASTING TO GRADE ON PRECAST ADJUSTING RINGS MORTARED INTO PLACE. BITUMINOUS MASTIC SHALL BE USED ON ALL SANITARY SEWERS. LOOSE AND/OR DETERIORATED BRICK SHALL BE REMOVED AND REPLACED WITH CONCRETE BRICK AND MORTAR.

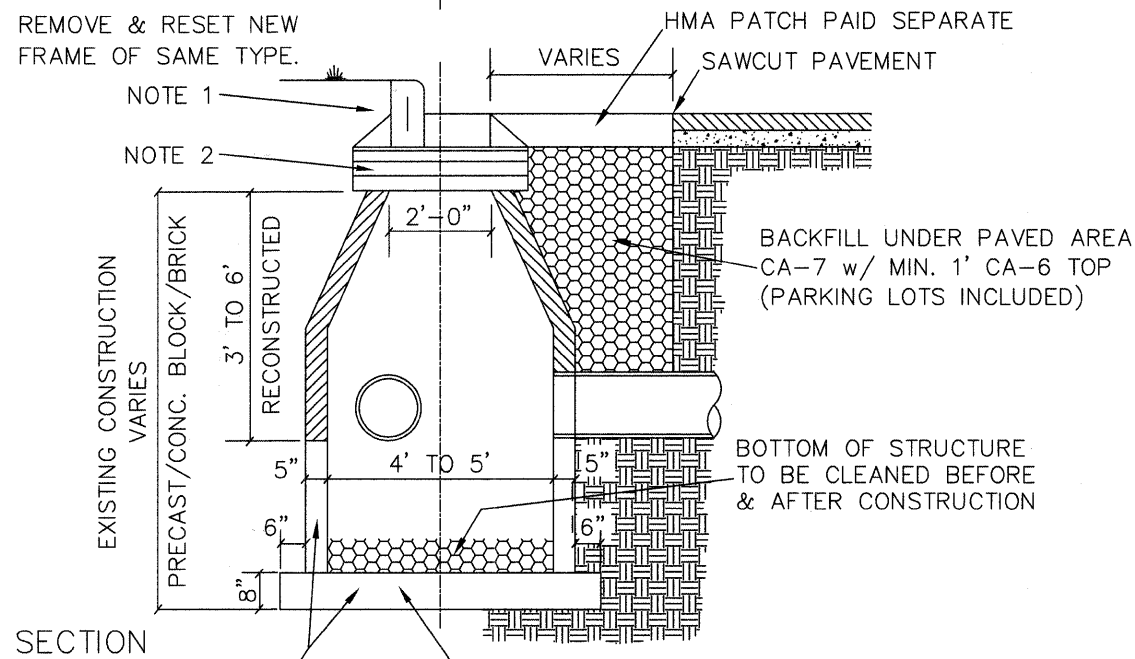
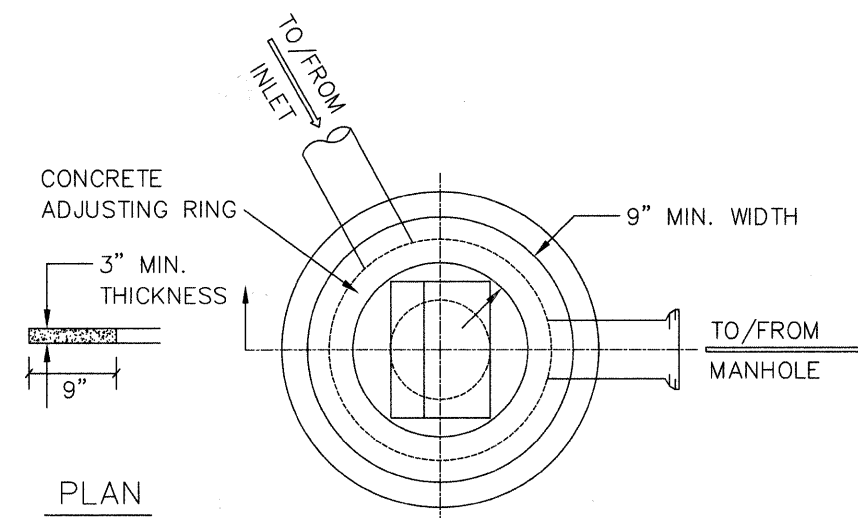
PLACE HOT-MIX ASPHALT BINDER 4" BELOW EXISTING BEARING FLANGE OF THE MANHOLE CASTING TO 1-1/2" BELOW TOP CASTING.



- ① ADJUSTING RINGS SHALL BE PRECAST AND SHALL BE USED FOR SANITARY MANHOLES, STORM SEWER MANHOLES, VALVE VAULTS, CATCH BASINS, AND INLETS.
- ② ADJUSTMENTS TO BE DONE AFTER COLD MILLING, AND/OR LEVELING.

CASTING ADJUSTMENT (ASPH. PVT.)

RECONSTRUCT CATCHBASIN OR RECONSTRUCT INLET



EXISTING CONCRETE BOTTOM, PRE-CAST OR CONCRETE BLOCK COURSES IN ACCEPTABLE CONDITION TO REMAIN

NOTE 1:
BACKFILL NON-PAVED AREA w/ COMPACTED EARTH AND 4" TOPSOIL w/ CLASS I SEED

NOTE 2:
MINIMUM OF ONE (1) 3" ADJ. RING SHALL BE PLACED UNDER EACH FRAME. MAX. 9"

Joseph A. Schudt & Associates
 19350 S. HARLEM AVENUE FRANKFORT, IL 60423
 PHONE: 708-720-1000 FAX: 708-720-1065
 ILLINOIS REGISTERED DESIGN FIRM No. 184-001172
 CIVIL ENGINEERING LAND SURVEYING ENVIRONMENTAL LAND PLANNING GPS SERVICES

*34th Street Street Paving
 East End Ave. to Holeman Ave.*

COPYRIGHT © 2009
 JOSEPH A. SCHUDT & ASSOCIATES
 ALL RIGHTS RESERVED

FILE NAME =	USER NAME =	DESIGNED - S.M.H.	REVISED - 8-24-09	STATE OF ILLINOIS DEPARTMENT OF TRANSPORTATION	MISCELLANEOUS DETAILS	F.A.P. RTE. 3734	SECTION 09-00058-00-RS	COUNTY COOK	TOTAL SHEETS 12	SHEET NO. 10	
	PLOT SCALE =	CHECKED - S.M.H.	REVISED -			SCALE: N/A	SHEET NO. 10 OF 12 SHEETS	CONTRACT NO. 63284		ILLINOIS FED. AID PROJECT AREA - 9003 (394)	
	PLOT DATE =	DATE - 6-24-09	REVISED -			STA. TO STA.	Long Section Number Multiple County Names				
						09-026.dwg 09-026					