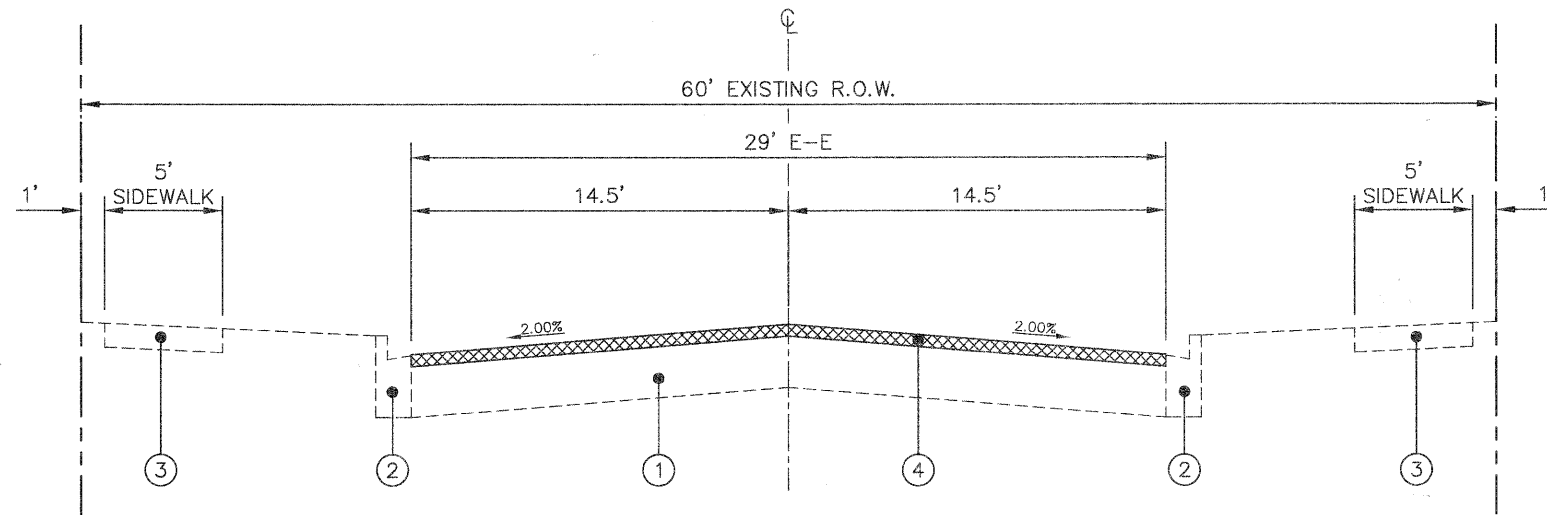
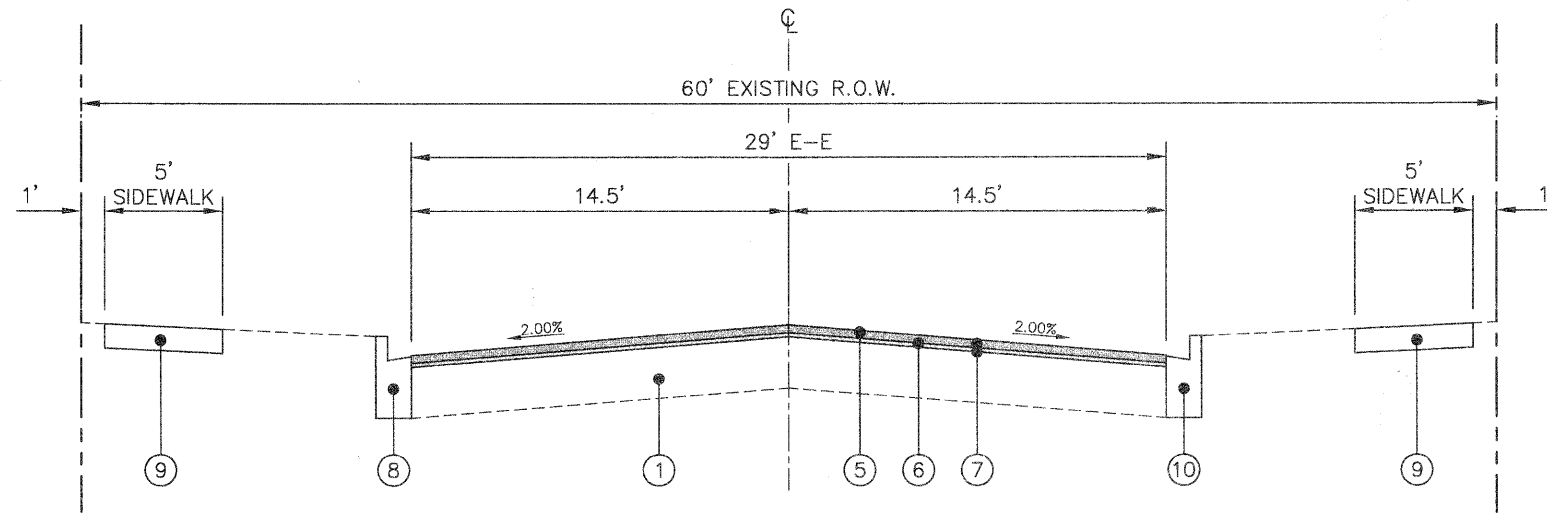


F.A.P. RTE.	SECTION	COUNTY	TOTAL SHEETS	SHEET NO.
1395	09-00109-00-RS	KANE	18	5
CONTRACT NO. 83294				



EXISTING TYPICAL SECTION

FROM BURGESS ROAD TO COUNTRY CLUB PLACE
 STA. 43+25 TO STA. 54+00, KANEVILLE ROAD
 N.T.S.



PROPOSED TYPICAL SECTION

FROM BURGESS ROAD TO COUNTRY CLUB PLACE
 STA. 43+25 TO STA. 54+00, KANEVILLE ROAD
 N.T.S.

LEGEND

- | | |
|--|---|
| ① EXISTING 11" TO 13" FULL-DEPTH ASPHALT PAVEMENT | ⑥ LEVELING BINDER (MACHINE METHOD), N70, 1.25" |
| ② EXISTING B-6.12 COMBINATION CONCRETE CURB AND GUTTER | ⑦ BITUMINOUS MATERIALS (PRIME COAT) AND AGGREGATE (PRIME COAT) |
| ③ EXISTING PORTLAND CEMENT CONCRETE SIDEWALK, 5" | ⑧ COMBINATION CONCRETE CURB AND GUTTER REMOVAL AND REPLACEMENT (AT VARIOUS LOCATIONS) |
| ④ HOT-MIX ASPHALT SURFACE REMOVAL, 3.25" | ⑨ PORTLAND CEMENT CONCRETE SIDEWALK REMOVAL AND REPLACEMENT (AT VARIOUS LOCATIONS) |
| ⑤ HOT-MIX ASPHALT SURFACE COURSE, MIX "D", N70, 2.0" | |

Plotted: August 14, 2009 @ 8:14 AM By: Kris Pung - Tab: 05 X-Sections 22x34
 COPYRIGHT © 2009 ENGINEERING ENTERPRISES, INC.

Engineering Enterprises, Inc.
 CONSULTING ENGINEERS
 52 Wheeler Road
 Sugar Grove, Illinois 60554
 630.466.6700 / www.eeiweb.com

CITY OF GENEVA
 KANE COUNTY, ILLINOIS

NO.	DATE	REVISIONS

KANEVILLE ROAD
 LAPP IMPROVEMENTS

TYPICAL EXISTING
AND PROPOSED
CROSS SECTIONS

DATE:	AUGUST 2009
PROJECT NO.:	GE0901
FILE:	GE0901-CVR
SHEET	5 OF 18

Path: H:\S\KPR09\GE0901\DWG\DWG_FINAL_ENG\GE0901-CR