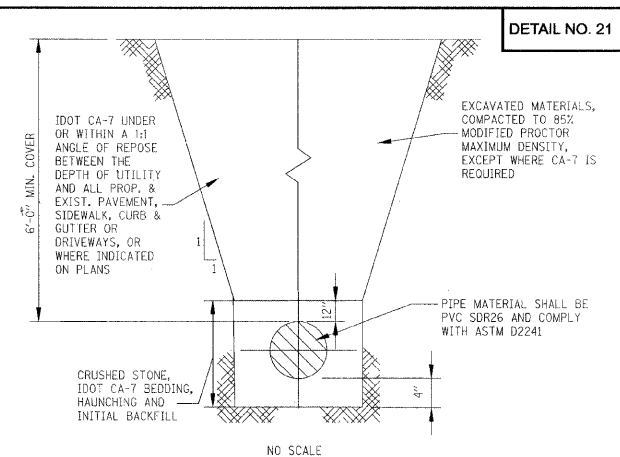


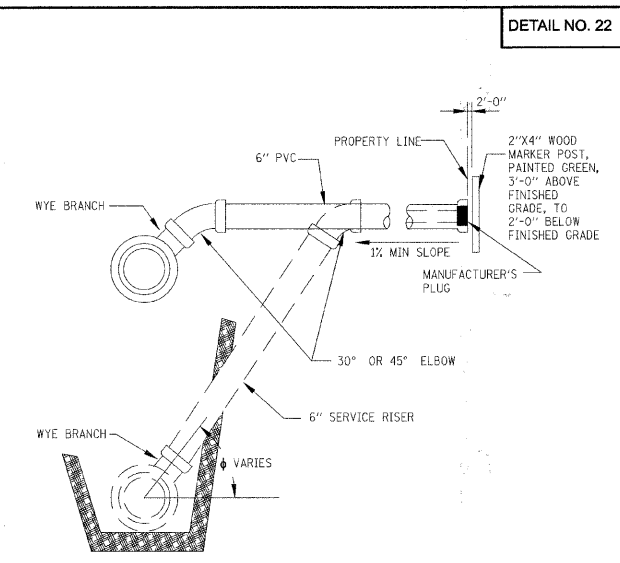
**VILLAGE OF HINSDALE
STANDARD DETAIL
FOR
SANITARY MANHOLE PIPE
CONNECTION**

REV: _____
DATE: APRIL 2008
FILE: SANITARY#SMHPLC



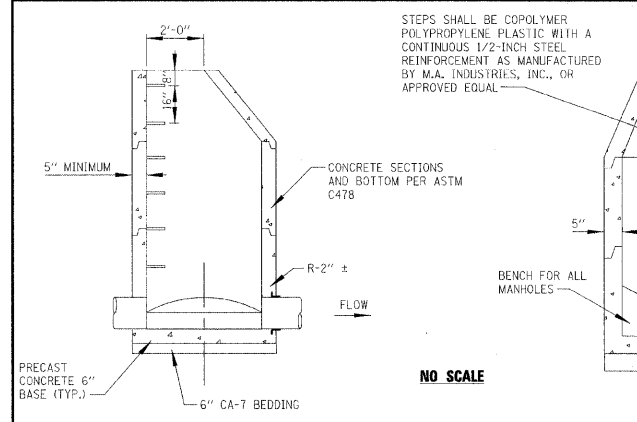
**VILLAGE OF HINSDALE
STANDARD DETAIL
FOR
SANITARY SEWER
INSTALLATION**

REV: _____
DATE: APRIL 2008
FILE: SANITARY#SSI



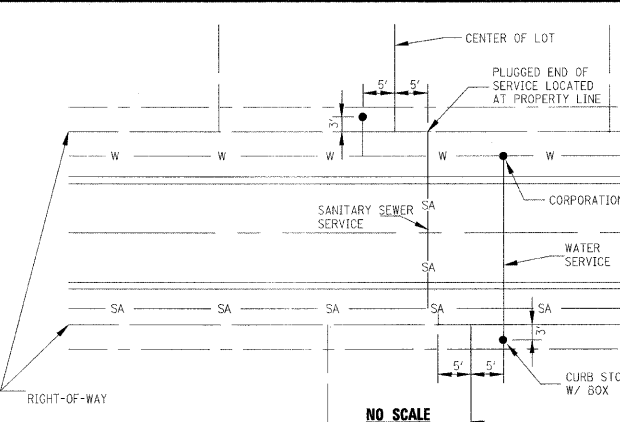
**VILLAGE OF HINSDALE
STANDARD DETAIL
FOR
SEWER SERVICE FOR
SANITARY SEWERS**

REV: _____
DATE: APRIL 2008
FILE: SANITARY#SWERT



**VILLAGE OF HINSDALE
STANDARD DETAIL
FOR
MANHOLE, TYPE A**

REV: _____
DATE: APRIL 2008
FILE: MISC#MA



**VILLAGE OF HINSDALE
STANDARD DETAIL
FOR
TYPICAL SERVICE
LATERALS**

REV: _____
DATE: APRIL 2008
FILE: MISC#TSLRATS

PROJECT: GARFIELD ST., DUPAGE COUNTY, ILL. SHEET NO. 57 OF 65
 DATE: 8/13/2009
 DRAWN BY: SVJ
 CHECKED BY: GT
 DATE: 8/13/09



USER NAME = s.johnson	DESIGNED -	REVISED -
PLOT SCALE = NONE	DRAWN - SVJ	REVISED -
PLOT DATE = 8/13/2009	CHECKED - GT	REVISED -
	DATE - 8/13/09	REVISED -

**VILLAGE OF HINSDALE
DUPAGE COUNTY, ILLINOIS
GARFIELD STREET, FIRST STREET, & PARK AVENUE**

STANDARD SANITARY SEWER DETAILS

SCALE: NONE SHEET NO. 57 OF 65 SHEETS STA. TO STA.

F.A.U. RTE. 2670	SECTION NO. 08-00086-00-RS	COUNTY DUPAGE	TOTAL SHEETS 65	SHEET NO. 57
CONTRACT NO. 63297				
FED. ROAD DIST. NO. ILLINOIS FED. AID PROJECT				