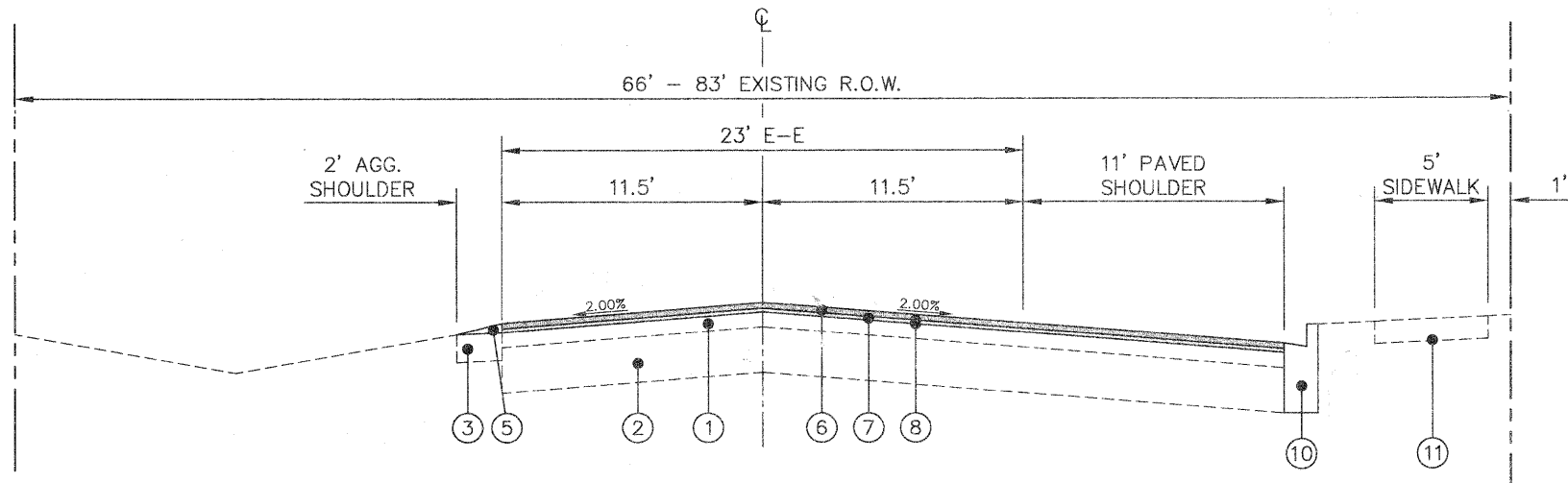


EXISTING TYPICAL SECTION

STA 209+80 TO STA 213+28, PRAIRIE STREET
 STA 222+33 TO STA 225+65, PRAIRIE STREET
 N.T.S.



PROPOSED TYPICAL SECTION

STA 209+80 TO STA 213+28, PRAIRIE STREET
 STA 222+33 TO STA 225+65, PRAIRIE STREET
 N.T.S.

LEGEND	
①	EXISTING ASPHALT SURFACE (4" WEST OF IL 47/US 30, 7" EAST OF IL 47/US 30)
②	EXISTING AGGREGATE BASE COURSE (14" WEST OF IL 47/US 30, 7" EAST OF IL 47/US 30)
③	EXISTING AGGREGATE SHOULDER
④	HOT-IN PLACE RECYCLING
⑤	AGGREGATE WEDGE SHOULDER, TYPE "B"
⑥	HOT-MIX ASPHALT SURFACE COURSE, MIX "C", N50, 2.0"
⑦	LEVELING BINDER (MACHINE METHOD), N50, 1.0"
⑧	BITUMINOUS MATERIALS (PRIME COAT) AND AGGREGATE (PRIME COAT)
⑨	HOT-MIX ASPHALT SURFACE REMOVAL - VARIABLE DEPTH
⑩	COMBINATION CONCRETE CURB AND GUTTER
⑪	PORTLAND CEMENT CONCRETE SIDEWALK
⑫	GRADING AND SHAPING DITCHES

Plotfile: August 17, 2009 7:19 AM By: Kris Pung - Tab: 05 X-Sections 22x34

COPYRIGHT © 2009 ENGINEERING ENTERPRISES, INC.

Engineering Enterprises, Inc.
 CONSULTING ENGINEERS
 52 Wheeler Road
 Sugar Grove, Illinois 60554
 630.466.6700 / www.eeiweb.com

VILLAGE OF SUGAR GROVE
 KANE COUNTY, ILLINOIS

NO.	DATE	REVISIONS

PRAIRIE STREET
 LAPP IMPROVEMENTS

TYPICAL EXISTING AND
PROPOSED CROSS SECTIONS

DATE:	AUGUST 2009
PROJECT NO:	SG0909
FILE:	SG0909-CVR
SHEET	5 OF 12

Path: \\SG0909\DWG\DWG_FINAL_ENG\SG0909-CVR