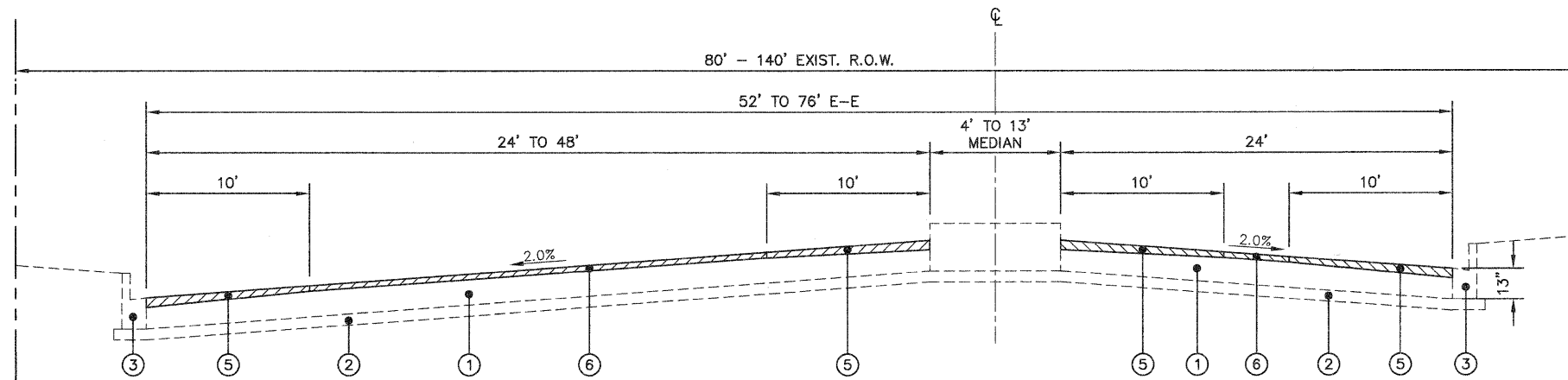
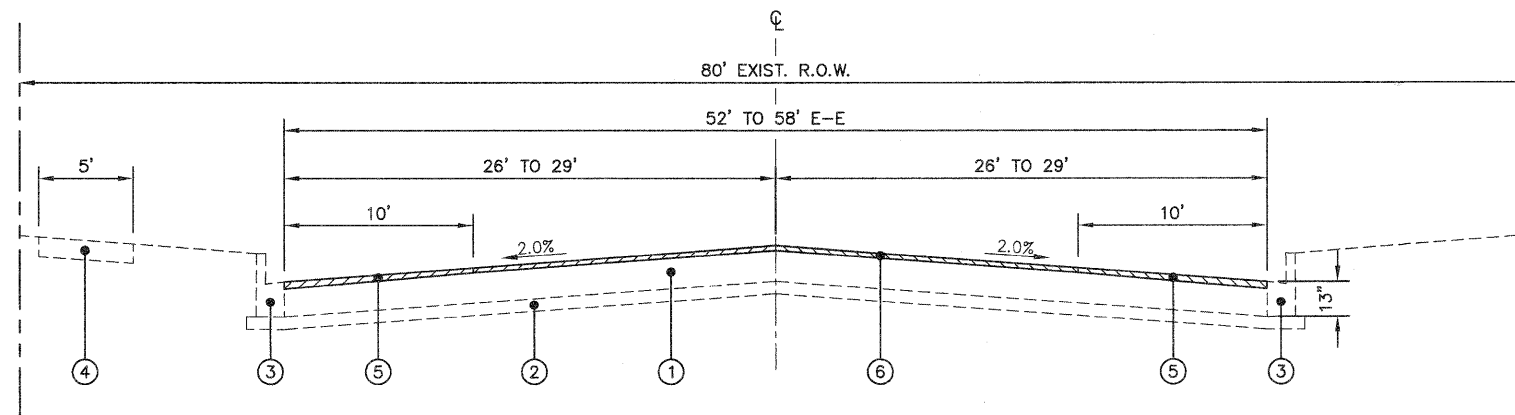


F.A.U. RTE.	SECTION	COUNTY	TOTAL SHEETS	SHEET NO.
1302	09-00177-00-B5	KANE	17	4
CONTRACT NO. 63301				



EXISTING TYPICAL SECTION
STA 206+35 TO STA 218+79, BIG TIMBER ROAD
 N.T.S.



EXISTING TYPICAL SECTION
STA 218+79 TO STA 267+17, BIG TIMBER ROAD
 N.T.S.

LEGEND	
①	EXISTING 13" ASPHALT PAVEMENT
②	EXISTING 4" AGGREGATE BASE COURSE
③	EXISTING B-6.12 COMBINATION CURB AND GUTTER
④	EXISTING PORTLAND CEMENT CONCRETE SIDEWALK, 5"
⑤	HOT-MIX ASPHALT SURFACE REMOVAL, VARIABLE DEPTH
⑥	HOT-MIX ASPHALT SURFACE REMOVAL, 2.0"
⑦	HOT-MIX ASPHALT SURFACE COURSE, MIX "D", N70, 2.0"
⑧	LEVELING BINDER (MACHINE METHOD), N70, 1.0"
⑨	BITUMINOUS MATERIALS (PRIME COAT) AND AGGREGATE (PRIME COAT)
⑩	COMBINATION CONCRETE CURB AND GUTTER REMOVAL AND REPLACEMENT (AT VARIOUS LOCATIONS)
⑪	PORTLAND CEMENT CONCRETE SIDEWALK REMOVAL AND REPLACEMENT (AT VARIOUS LOCATIONS)

Plotted: August 26, 2009 @ 10:10 AM By: Kris Pung - Tab: 04 Section - 22x34

COPYRIGHT © 2009 ENGINEERING ENTERPRISES, INC.



Engineering Enterprises, Inc.
 CONSULTING ENGINEERS
 52 Wheeler Road
 Sugar Grove, Illinois 60554
 630.466.6700 / www.eelweb.com

CITY OF ELGIN

NO.	DATE	REVISIONS

BIG TIMBER ROAD
LAPP IMPROVEMENTS

TYPICAL EXISTING
CROSS SECTIONS
AND REMOVAL WORK

DATE:	AUGUST 2009
PROJECT NO:	EG0901
FILE:	EG0901-CVR
SHEET	4 OF 17

Path: H:\SIS\PROJ\EG0901\DWG\FINAL ENG\EG901-CVR