

HORIZONTAL & VERTICAL CONTROL

Chain 74NBND contains:
CUR 260 CUR 270 CUR 280 1013

Beginning chain 74NBND description

Curve Data

Curve 260
P.I. Station 1579+36.13 N 1,654,259.81 E 2,251,147.05
Delta = 2° 21' 02.16" (LT)
Degree = 0° 14' 27.08"
Tangent = 488.04'
Length = 975.94'
Radius = 23,788.56'
External = 5.01'
Long Chord = 975.87'
Mid. Ord. = 5.00'
P.C. Station 1574+48.09 N 1,654,747.81 E 2,251,153.45
P.T. Station 1584+24.03 N 1,653,771.96 E 2,251,160.66
C.C. N 1,654,435.62 E 2,274,939.96

Course from PT 260 to PC 270 S 1° 35' 55.16" E Dist 1,490.70'

Curve Data

Curve 270
P.I. Station 1604+90.96 N 1,651,705.83 E 2,251,218.32
Delta = 5° 22' 27.07" (RT)
Degree = 0° 28' 00.00"
Tangent = 576.23'
Length = 1,151.61'
Radius = 12,277.70'
External = 13.51'
Long Chord = 1,151.19'
Mid. Ord. = 13.50'
P.C. Station 1599+14.73 N 1,652,281.84 E 2,251,202.25
P.T. Station 1610+66.35 N 1,651,130.85 E 2,251,180.38
C.C. N 1,651,939.31 E 2,238,929.33

Course from PT 270 to PC 280 S 3° 46' 31.91" W Dist 875.88'

Curve Data

Curve 280
P.I. Station 1625+28.04 N 1,649,672.34 E 2,251,084.13
Delta = 3° 01' 27.54" (LT)
Degree = 0° 15' 29.49"
Tangent = 585.81'
Length = 1,171.34'
Radius = 22,191.15'
External = 7.73'
Long Chord = 1,171.21'
Mid. Ord. = 7.73'
P.C. Station 1619+42.23 N 1,650,256.88 E 2,251,122.71
P.T. Station 1631+13.57 N 1,649,086.58 E 2,251,076.45
C.C. N 1,648,795.64 E 2,273,265.69

Course from PT 280 to 1013 S 0° 45' 04.37" W Dist 2,558.37'

Point 1013 N 1,646,528.43 E 2,251,042.91 Sta 1656+71.94

Ending chain 74NBND description

Chain 74SBND contains:
CUR 230 CUR 240 CUR 250

Beginning chain 74SBND description

Curve Data

Curve 230
P.I. Station 1582+64.80 N 1,653,932.32 E 2,251,054.74
Delta = 6° 14' 53.75" (RT)
Degree = 0° 28' 07.26"
Tangent = 667.24'
Length = 1,333.15'
Radius = 12,224.83'
External = 18.20'
Long Chord = 1,332.49'
Mid. Ord. = 18.17'
P.C. Station 1575+97.56 N 1,654,599.50 E 2,251,063.50
P.T. Station 1589+30.71 N 1,653,270.06 E 2,250,973.42
C.C. N 1,654,759.94 E 2,238,839.72

Course from PT 230 to PC 240 S 7° 00' 00.75" W Dist 1,456.54'

Curve Data

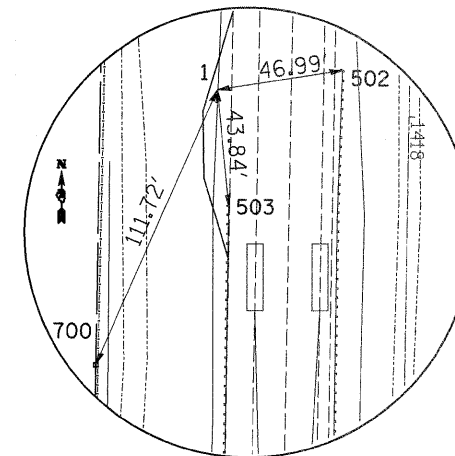
Curve 240
P.I. Station 1618+16.13 N 1,650,406.15 E 2,250,621.77
Delta = 13° 16' 35.08" (LT)
Degree = 0° 28' 00.00"
Tangent = 1,428.88'
Length = 2,844.95'
Radius = 12,277.70'
External = 82.87'
Long Chord = 2,838.59'
Mid. Ord. = 82.31'
P.C. Station 1603+87.25 N 1,651,824.38 E 2,250,795.91
P.T. Station 1632+32.21 N 1,648,985.84 E 2,250,777.97
C.C. N 1,650,328.06 E 2,262,982.09

Course from PT 240 to PC 250 S 6° 16' 34.33" E Dist 952.55'

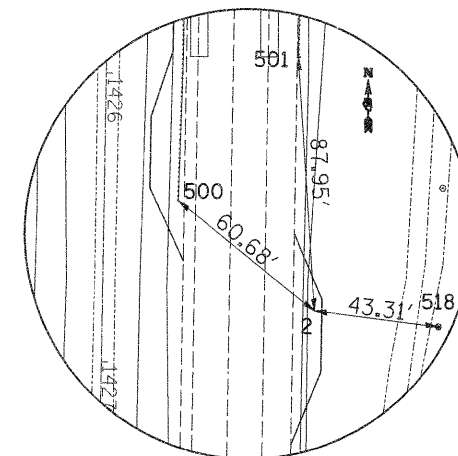
Curve Data

Curve 250
P.I. Station 1649+41.58 N 1,647,286.72 E 2,250,964.84
Delta = 7° 01' 38.71" (RT)
Degree = 0° 27' 53.49"
Tangent = 756.82'
Length = 1,511.74'
Radius = 12,325.46'
External = 23.21'
Long Chord = 1,510.79'
Mid. Ord. = 23.17'
P.C. Station 1641+84.76 N 1,648,039.00 E 2,250,882.11
P.T. Station 1656+96.49 N 1,646,529.97 E 2,250,954.92
C.C. N 1,646,691.56 E 2,238,630.52

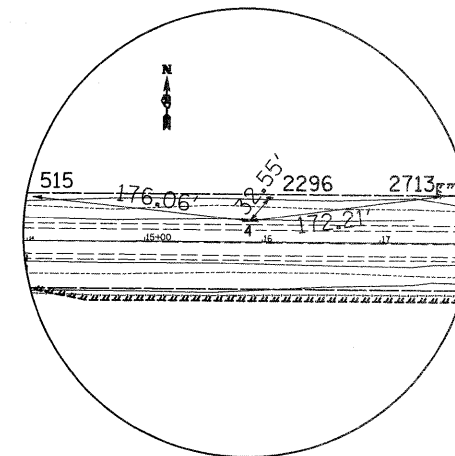
Ending chain 74SBND description



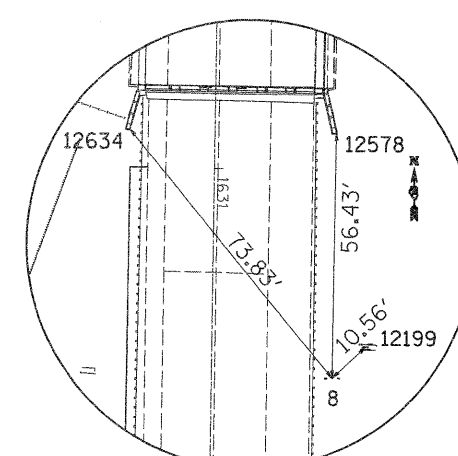
HORIZONTAL CONTROL POINT NO. 1



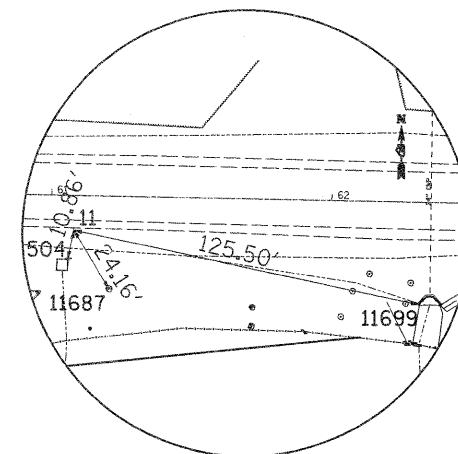
HORIZONTAL CONTROL POINT NO. 2



HORIZONTAL CONTROL POINT NO. 4



HORIZONTAL CONTROL POINT NO. 8



HORIZONTAL CONTROL POINT NO. 11

FILE NAME =	USER NAME = cushmanbw	DESIGNED -	REVISED -	STATE OF ILLINOIS DEPARTMENT OF TRANSPORTATION	HORIZONTAL & VERTICAL CONTROL	F.A.I. RTE.	SECTION	COUNTY	TOTAL SHEETS	SHEET NO.	
cr:\pw\work\p\dot\cushmanbw\dms36777\200298-shr-ATB.dgn		DRAWN -	REVISED -			74	37-(4HB,4HB-1,4HB-2)D	HENRY	148	17	
PLOT SCALE = 50.0000' / IN.		CHECKED -	REVISED -			CONTRACT NO. 64264					
PLOT DATE = Wed Aug 05 13:17:18 2009		DATE -	REVISED -			SCALE:	SHEET NO. OF SHEETS	STA. TO STA.	FED. ROAD DIST. NO. ILLINOIS FED. AID PROJECT		