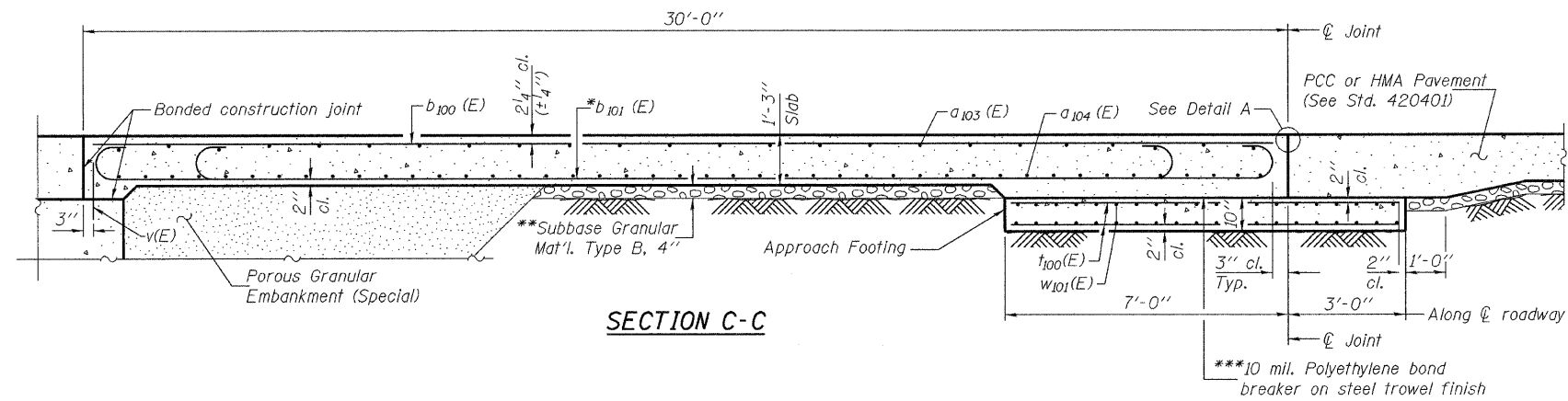


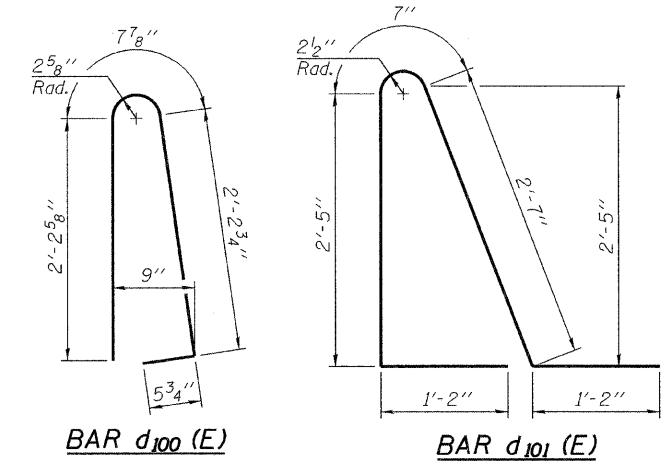
STATE OF ILLINOIS
DEPARTMENT OF TRANSPORTATION

Notes:
See sheet 22 of 30 for Detail A and View B-B.
Approach slab and parapet concrete shall be paid for as Concrete Superstructure.
Approach footing concrete shall be paid for as Concrete Structures.
Reinforcement shall be paid for as Reinforcement Bars, Epoxy Coated.
For v(E) bar details, see sheets 16 & 17 of 30.
The approach footing maximum applied service bearing pressure (Qmax) = 2.0 ksf.
For bar splicer details, see sheet 26 of 30.
Cost of excavation for approach footing included with Concrete Structures.
For Porous Granular Embankment (Special) and drainage treatment details, see sheet 2 of 30.



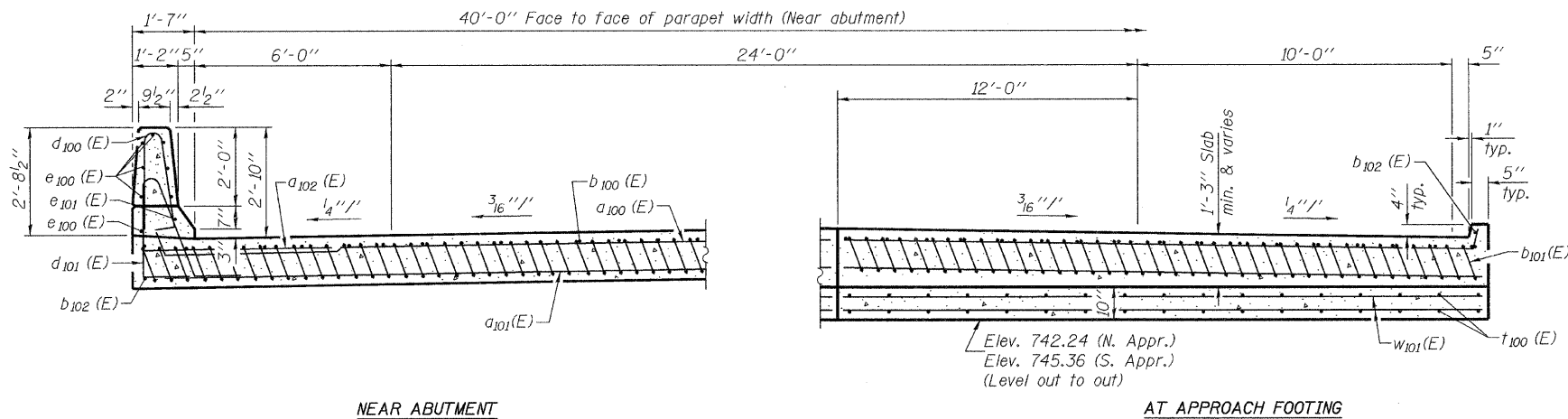
SECTION C-C

*Tilt #9 b₁₀₁(E) bars as required to maintain clearance.
***Cost included with Concrete Superstructure.



TWO APPROACHES
BILL OF MATERIAL

Bar	No.	Size	Length	Shape
a ₁₀₀ (E)	50	#4	18'-11"	U
a ₁₀₁ (E)	92	#5	18'-7"	U
a ₁₀₂ (E)	48	#6	6'-0"	U
a ₁₀₃ (E)	50	#4	22'-11"	U
a ₁₀₄ (E)	92	#5	22'-7"	U
b ₁₀₀ (E)	70	#4	29'-8"	U
b ₁₀₁ (E)	202	#9	29'-9"	U
b ₁₀₂ (E)	8	#4	14'-8"	U
d ₁₀₀ (E)	68	#5	5'-7"	U
d ₁₀₁ (E)	68	#5	7'-11"	U
e ₁₀₀ (E)	32	#4	14'-8"	U
e ₁₀₁ (E)	4	#8	14'-8"	U
t ₁₀₀ (E)	176	#4	9'-8"	U
w ₁₀₀ (E)	80	#5	18'-7"	U
w ₁₀₁ (E)	80	#5	22'-7"	U
Concrete Superstructure			Cu. Yd.	133.2
Concrete Structures			Cu. Yd.	25.8
Reinforcement Bars, Epoxy Coated			Pound	33680

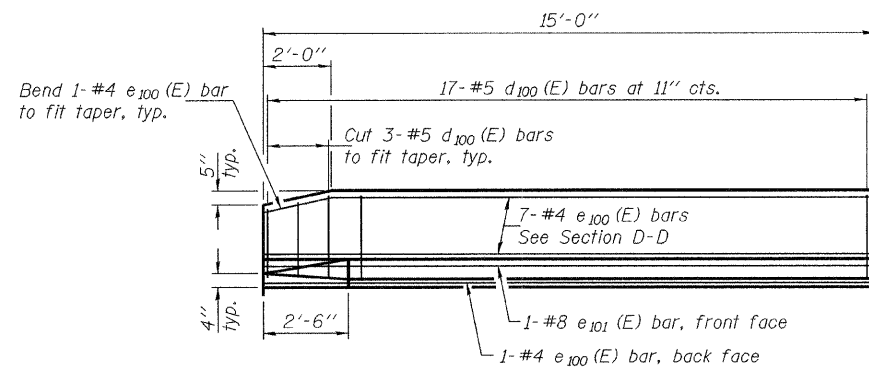


NEAR ABUTMENT

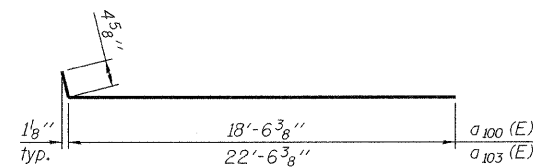
SECTION D-D

(See Plan for dimensions not shown)
(Section D-D showing South Appr.; North Appr. similar by 180° rotation)

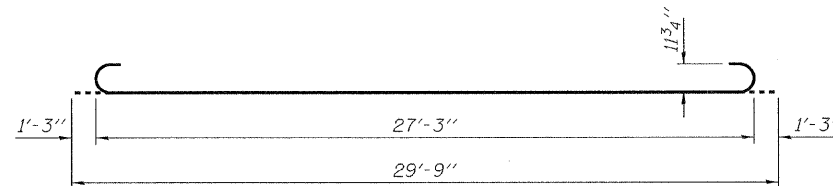
AT APPROACH FOOTING



VIEW E-E



BARS a₁₀₀(E) & a₁₀₃(E)



BAR b₁₀₁(E)

BRIDGE APPROACH SLAB DETAILS (S.B.)
STRUCTURE NO. 037-0015 (S.B.)
STRUCTURE NO. 037-0016 (N.B.)

DESIGNED Nicholas R. Barnett
CHECKED Michael D. Rolape
DRAWN h.t. duong
CHECKED NRB/MDR/GRA

September 29, 2009
EXAMINED Thomas J. Damagala
PASSED Ralph E. Curkum

SHEET NO. 23 30 SHEETS	F.A.I. RTE.	SECTION	COUNTY	TOTAL SHEETS	SHEET NO.
	74	37-4HB	HENRY	148	58
CONTRACT NO. 64264					
FED. ROAD DIST. NO. - ILLINOIS FED. AID PROJECT					