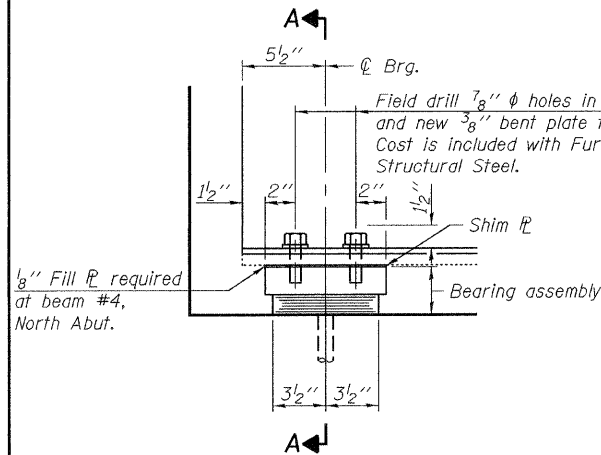
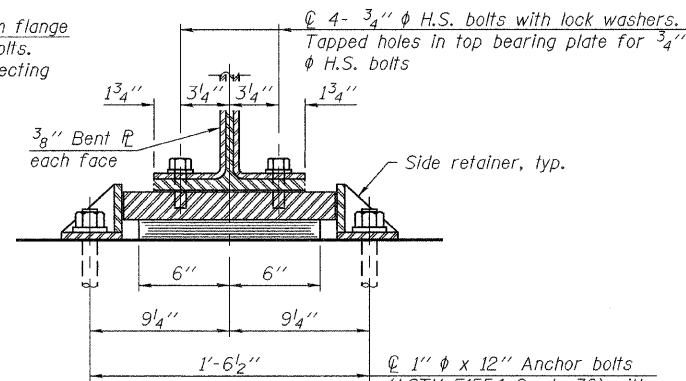


STATE OF ILLINOIS
DEPARTMENT OF TRANSPORTATION



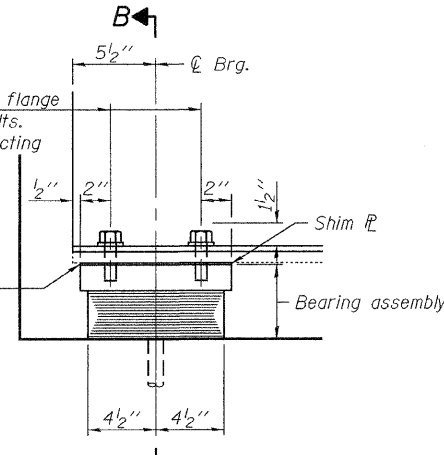
ELEVATION AT ABUT.



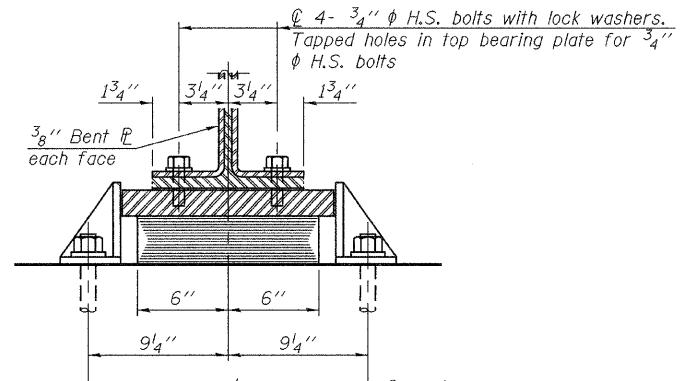
SECTION A-A

Field drill 7/8" ϕ holes in existing bottom flange and new 3/8" bent plate for 3/4" H.S. bolts. Cost is included with Furnishing and Erecting Structural Steel.

1/8" Fill \bar{r} required at beam #3, South Abut.



ELEVATION AT ABUT.

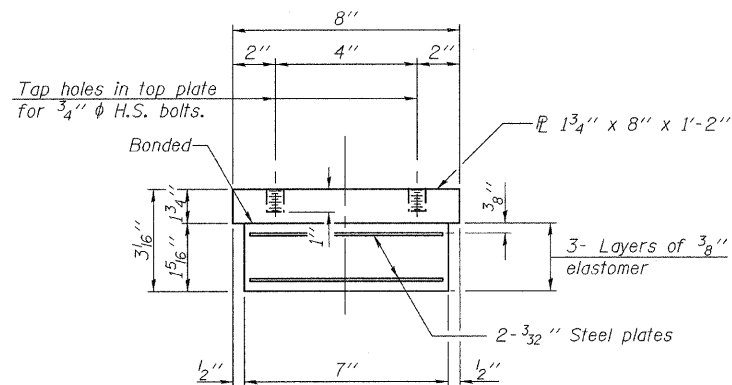


SECTION B-B

\bar{r} 1" ϕ x 12" Anchor bolts (ASTM F1554 Grade 36) with 2 1/4" x 2 1/4" x 5/16" \bar{r} washer under nut

TYPE I ELASTOMERIC EXP. BRG.
AT NORTH ABUTMENT

TYPE I ELASTOMERIC EXP. BRG.
AT SOUTH ABUTMENT



NORTH ABUTMENT
BEARING ASSEMBLY

Notes:

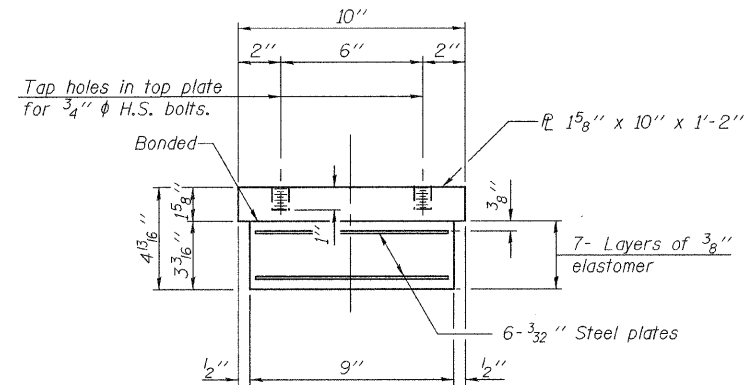
Anchor bolts shall be ASTM F1554 all-thread (or an Engineer-approved alternate material) of the grade(s) and diameter(s) specified. ASTM A307 Grade C anchor bolts may be used in lieu of ASTM F1554 Grade 36 (Fy=36ksi). The corresponding specified grade of AASHTO M314 anchor bolts may be used in lieu of ASTM F1554.

Anchor bolts for side retainers may be cast in place or installed in holes drilled before or after members are in place.

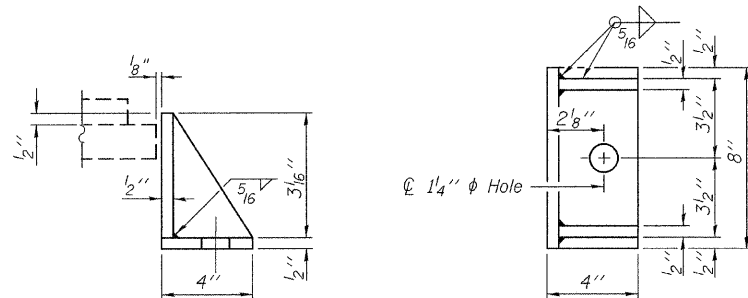
Drilled and set anchor bolts shall be installed according to Article 521.06 of the Standard Specifications. Side retainers and other steel members required for the bearing assembly shall be included in the cost of Elastomeric Bearing Assembly, Type I.

Two 1/8" adjusting shims shall be provided for each bearing in addition to all other plates or shims and placed as shown on bearing details.

Shim plates shall not be placed under Bearing Assembly.

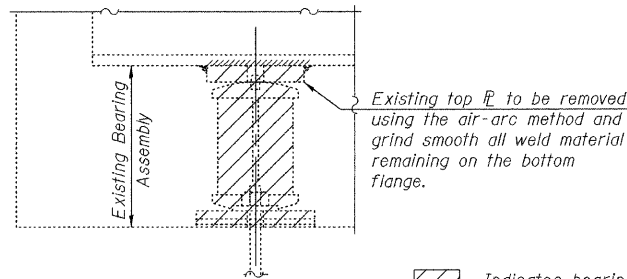


SOUTH ABUTMENT
BEARING ASSEMBLY



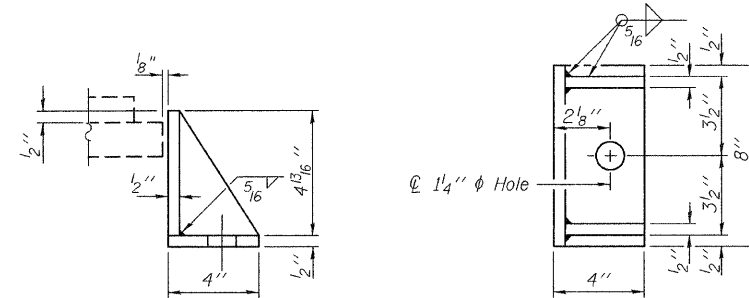
NORTH ABUTMENT
SIDE RETAINER

Equivalent rolled angle with stiffeners will be allowed in lieu of welded plates.



EXISTING BEARING REMOVAL DETAIL

Cost included with Jacking and Cribbing.



SOUTH ABUTMENT
SIDE RETAINER

Equivalent rolled angle with stiffeners will be allowed in lieu of welded plates.

Indicates bearing removal.

DESIGNED	Michael D. Rolape
CHECKED	Nicholas R. Barnett
DRAWN	Michael B. Mossman
CHECKED	M.D.R./N.R.B./G.R.A.

EXAMINED	September 29, 2009
PASSED	Thomas J. Domagalaki Ralph E. Anderson

BILL OF MATERIAL

Item	Unit	Total
Elastomeric Bearing Assembly Type I	Each	14
Anchor Bolts	Each	28

BEARING DETAILS
STRUCTURE NO. 037-0018 (N.B.)

SHEET NO. 19 27 SHEETS	F.A.I. RTE.	SECTION	COUNTY	TOTAL SHEETS	SHEET NO.
	74	37-4HB-1	HENRY	148	112
			CONTRACT NO. 64264		
ILLINOIS FED. AID PROJECT					