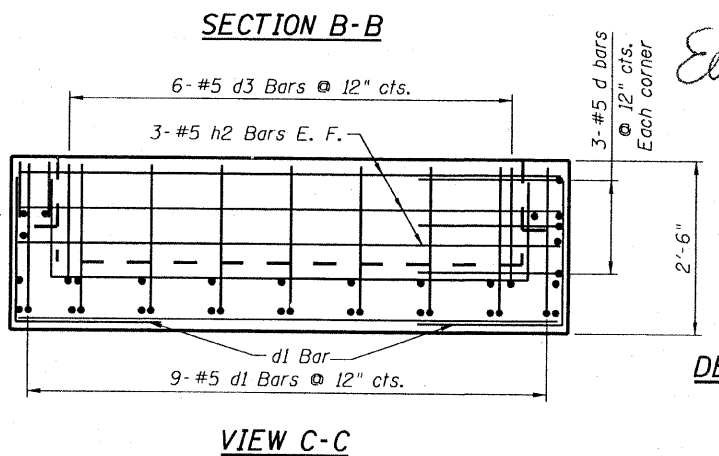
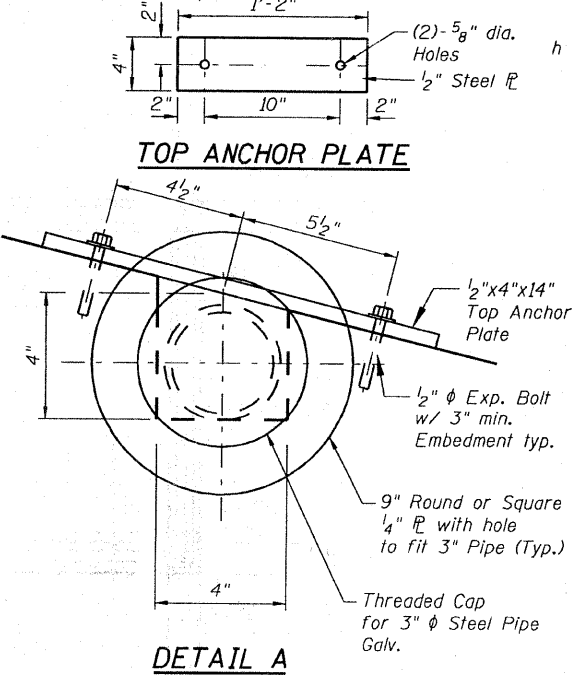
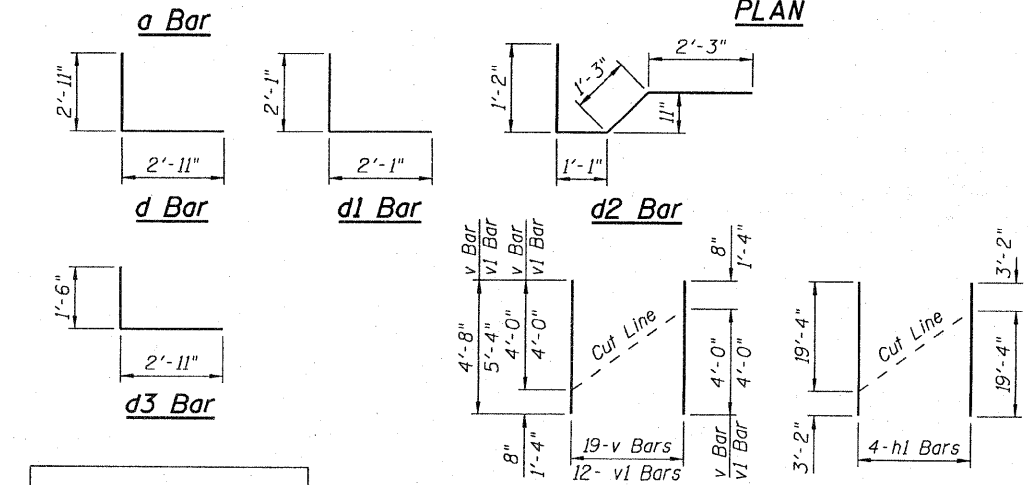
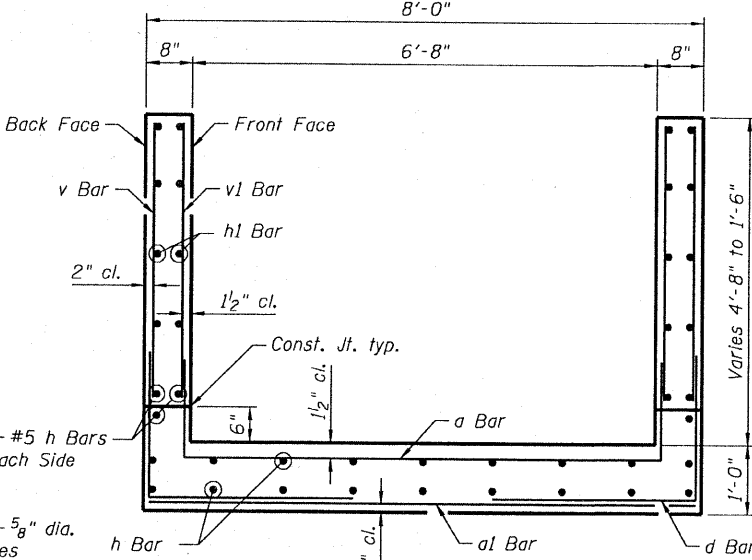
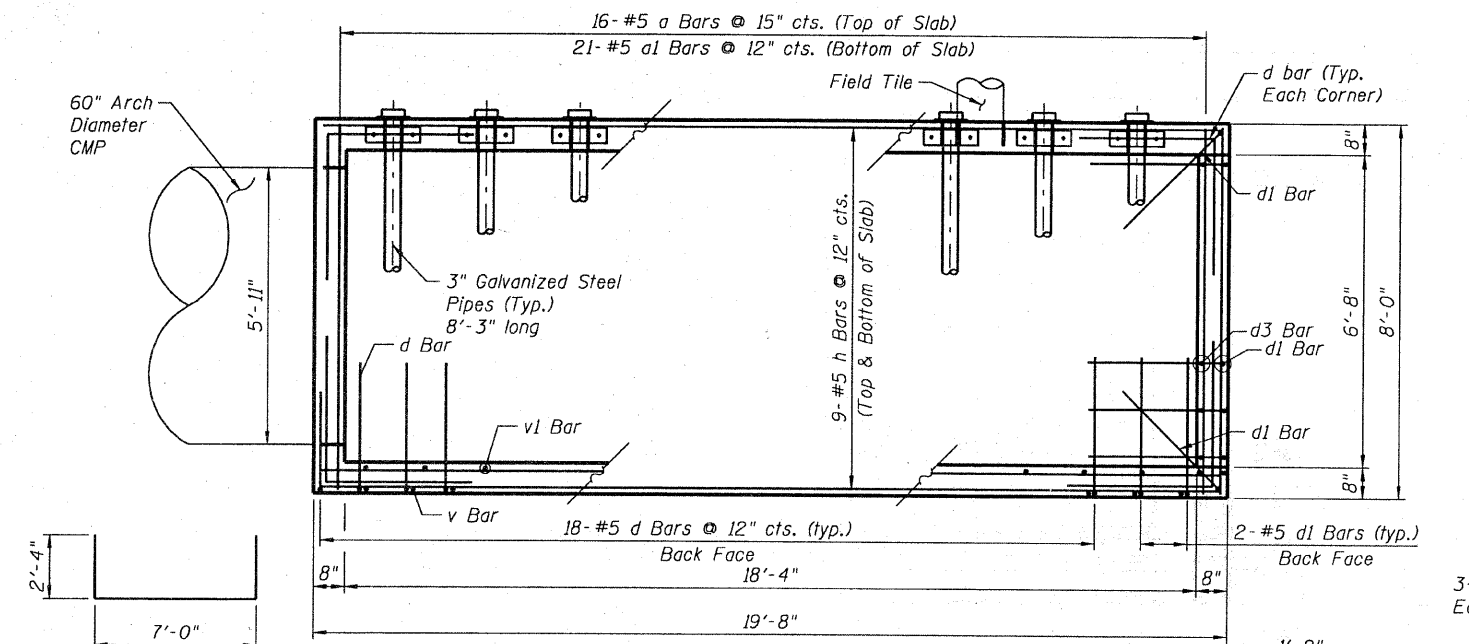
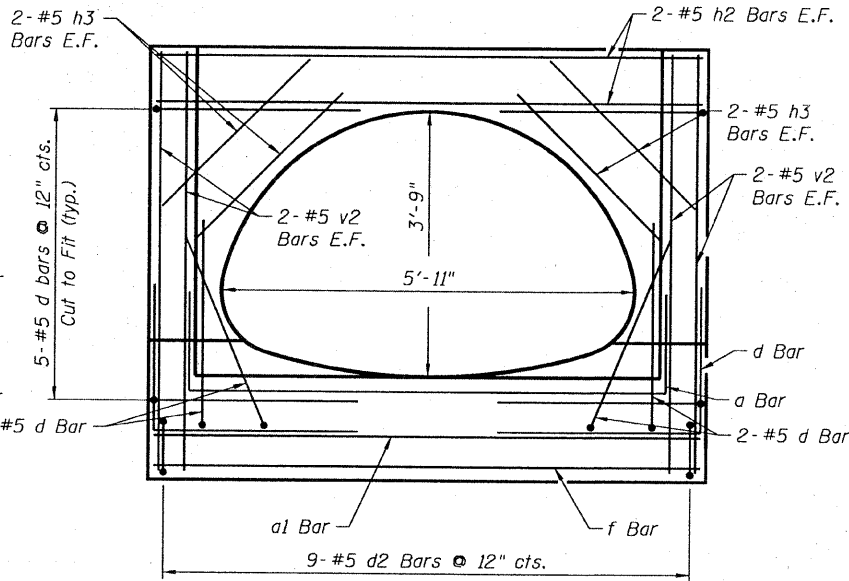
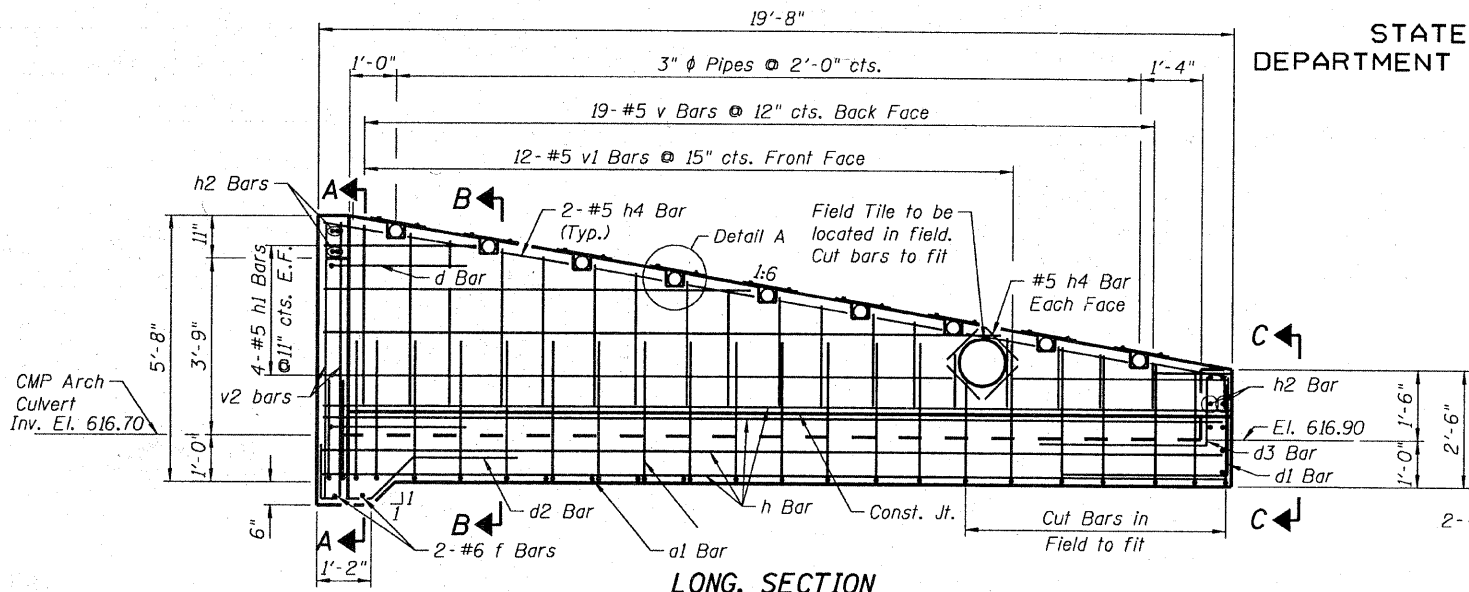


STATE OF ILLINOIS
DEPARTMENT OF TRANSPORTATION

GENERAL NOTES:

1. Reinforcement bars shall conform to the requirements of AASHTO M-31, M-42 or M-35, Grade 60.
2. Exposed edges shall be beveled $\frac{3}{4}$ ".
3. All construction joints shall be bonded.
4. The contract unit price "each" for culvert Drop Box and culvert End Section shall include the Expansion Bolts, Galvanized Pipe, Concrete Structures, Reinforcement Bars, Steel Plates, Bolts, Nuts, Washers, Pipe Caps, earth excavation where required, and necessary grading to fit the structure as shown in the cross sections, or to the slope.
5. Steel pipes shall conform to A.S.T.M. A-53 (Type E or S) Grade B. Schedule 40. & shall be galvanized conforming to A.S.T.M. A-120.
6. Steel plates shall conform to AASHTO M-183 & shall be galvanized conforming to AASHTO M-111.
7. Bolts, nuts, & washers shall be in accordance with Article 1006.08 of the Standard Specifications and shall be galvanized.
8. This work shall be done according to the applicable portion of 503, 508, and 542 of the Standard Specifications.
9. Extend field tile to new grated drop box using 6 ft 8" dia. PVC pipe. PVC pipe shall be in accordance with Article 1040.03 of the Standard Specifications. Cost shall be included with Culvert Drop Box pay item.



BILL OF MATERIAL

Bar	No.	Size	Length	Shape
a	16	# 5	11' - 8"	L
a1	21	# 5	7' - 8"	L
d	56	# 5	5' - 10"	L
d1	13	# 5	4' - 2"	L
d2	9	# 5	5' - 9"	L
d3	6	# 5	4' - 5"	L
f	2	# 6	7' - 8"	L
h	24	# 5	19' - 4"	L
h1	8	# 5	22' - 6"	L
h2	10	# 5	7' - 8"	L
h3	8	# 5	3' - 0"	L
h4	48	# 5	1' - 6"	L
v	19	# 5	4' - 8"	L
v1	12	# 5	5' - 4"	L
v2	8	# 5	5' - 8"	L
Culvert Drop Box	Each			1
Concrete Structures	Cu. Yd.			9.6
Reinforcement Bars, Epoxy Coated	Pound			1,920
1/2" Galv. Exp. Bolts	Each			36
1/4" Galv. Steel Plate (9" Nominal)	Each			18
1/2"x4"x14" Galvanized Steel Plate	Each			18
3" Galv. Steel Pipe	Each			9
3" Galv. Pipe Caps	Each			18

* For Information Only



DATE: 10/23/2009
SEAL EXPIRES: 11/30/2009

Eward

DESIGN STRESSES

$f_y = 60,000$ psi
 $f'_c = 3,500$ psi

DROP BOX - NORTH SIDE

FAP ROUTE 638(IL 82)

STA. 1361+50

DESIGNED	-
CHECKED	-
DRAWN	-
CHECKED	-

Ciorba Group, Inc.
CONSULTING ENGINEERS
5507 North Cumberland Avenue, Suite 402 Chicago, Illinois 60656
Tel. 773.775.4009 Fax 773.775.4014 Email chicago@ciorba.com

SHEET NO. S-1	F.A.P. RTE.	SECTION	COUNTY	TOTAL SHEETS	SHEET NO.
	638 (IL82)	I29BR	HENRY COUNTY	42	23A
S-2 SHEETS	CONTRACT NO. 64A04				
FED. ROAD DIST. NO.		ILLINOIS FED. AID PROJECT			

NEW
REVISED SHEET 10/28/09

10/23/2009 \$NAME\$ N:\PROJECTS\3317\11\Design\Structural\CAD\3317-11-01.plm1.dgn