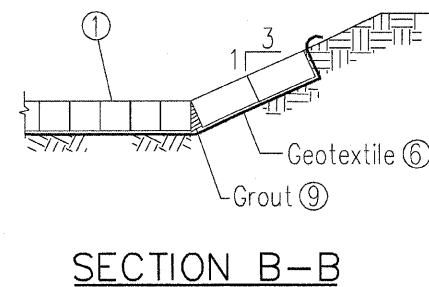
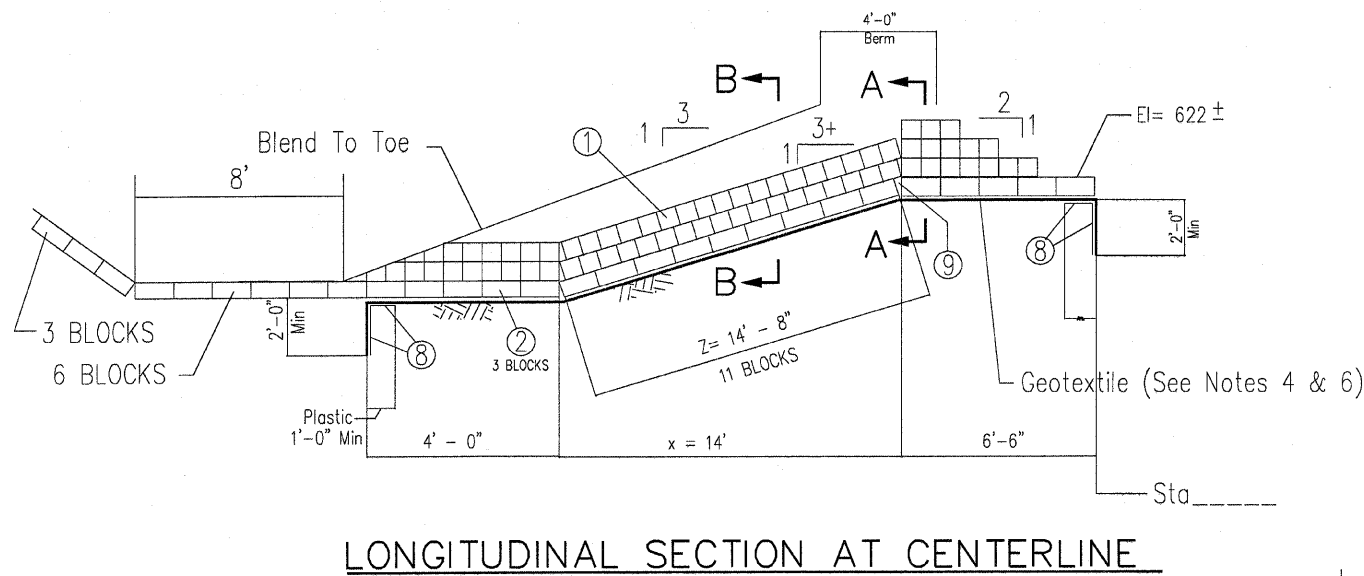
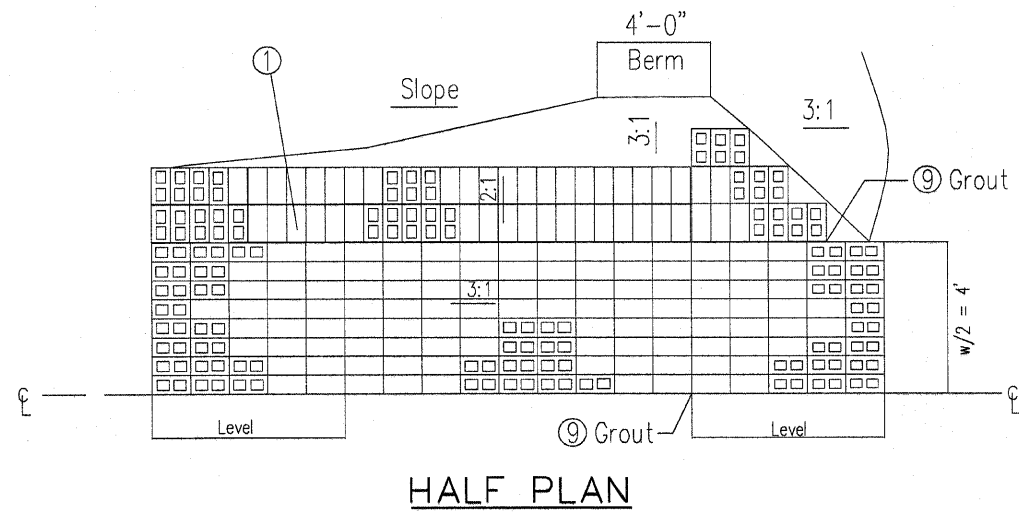


STONE LINED DITCH

CONSTRUCTION NOTES

- Concrete blocks shall be 8"x8"x16" long, in good condition, and free of excess mortar.
- Concrete blocks shall be placed with holes up.
- Concrete blocks in floor shall be placed with length parallel to direction of flow.
- Geotextile shall be installed as recommended by manufacturers instructions. All seams shall overlap a minimum of 9 inches.
- Blocks in sidewalls shall be placed with length perpendicular (90 degrees) to direction of flow.
- Geotextile (non-woven) minimum criteria:

| | | |
|---|-------|--------------|
| Weight of Geotextile (oz/sq.yd.) | _____ | 6 |
| Tensile strength (lb) ASTM D 4632 | _____ | 180 |
| Elongation at failure (%) ASTM D 4632 | _____ | ≥ 50 |
| Puncture (lb) ASTM D 4833 | _____ | 80 |
| Ultraviolet light (% residual tensile strength) | _____ | 80 |
| ASTM D 4355 | _____ | min 70 |
| Apparent opening size (AOS) ASTM D 4751 | _____ | max 40 sieve |
| Permittivity sec ⁻¹ ASTM D 4491 | _____ | min 0.70 |
- A maximum 6 inch clean or washed chip or gravel fill (base) may be placed between the natural ground (sub base) and the Geotextile to provide a level base. At least 80% of the materials in the base shall be larger than the holes in the Geotextile. No material shall be placed between the blocks and the Geotextile.
- Extend cutoff trenches, plastic and filter fabric, U.S. & D.S. to a total width of block placement. Plastic in D.S. cutoff trench is optional.
- Grout triangular shaped void at each side by 3:1 chute section and across crest of weir. Grout to be 1 part cement and 3 parts sand.
- Holes in concrete blocks may be filled with soil and seeded to a waterway seeding mixture.
- Concrete blocks shall not be driven on by any machinery during or after placement.
- Berm shall be seeded and mulched to the 342 Critical Area Seeding specifications.



| | | | |
|---|--------------------|------------|-----------|
| FILE NAME = | USER NAME = Fordjd | DESIGNED - | REVISED - |
| ca\pwwork\pwwid\fordjd\158244\IL-ENG\122A.dgn | | DRAWN - | REVISED - |
| PLOT SCALE = 50.0000' / 1" | | CHECKED - | REVISED - |
| PLOT DATE = Mon Oct 26 10:50:01 2009 | | DATE - | REVISED - |

STATE OF ILLINOIS
DEPARTMENT OF TRANSPORTATION

REVISOR NEW SHEET 10/28/09

STONE LINED DITCH
SCALE: SHEET NO. 1 OF 2 SHEETS STA. 1362+00

| | | | | |
|---------------------------|---------|--------|--------------|-----------|
| F.A.P. RTE. | SECTION | COUNTY | TOTAL SHEETS | SHEET NO. |
| 638 | 129 BR | HENRY | 42 | 23C |
| CONTRACT NO. 64A04 | | | | |
| ILLINOIS FED. AID PROJECT | | | | |