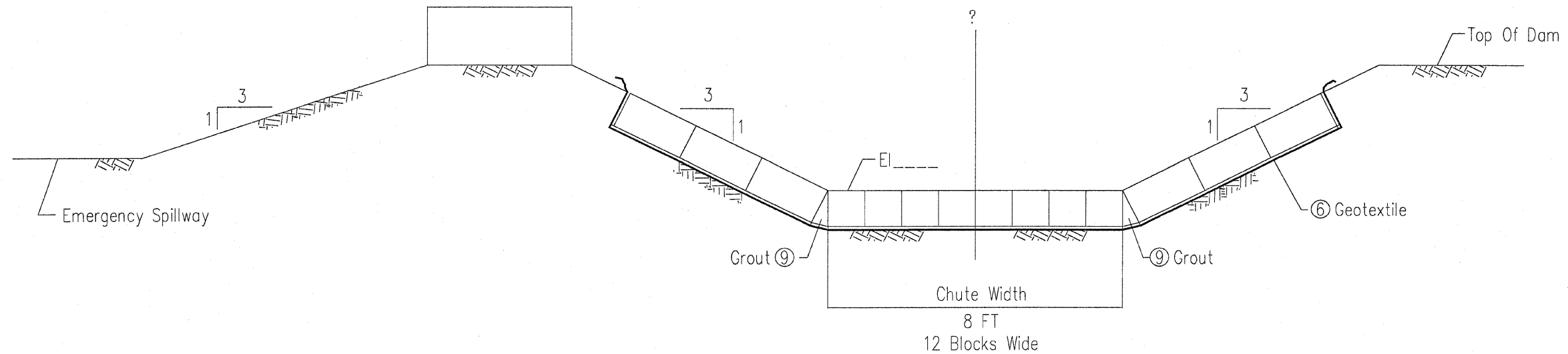
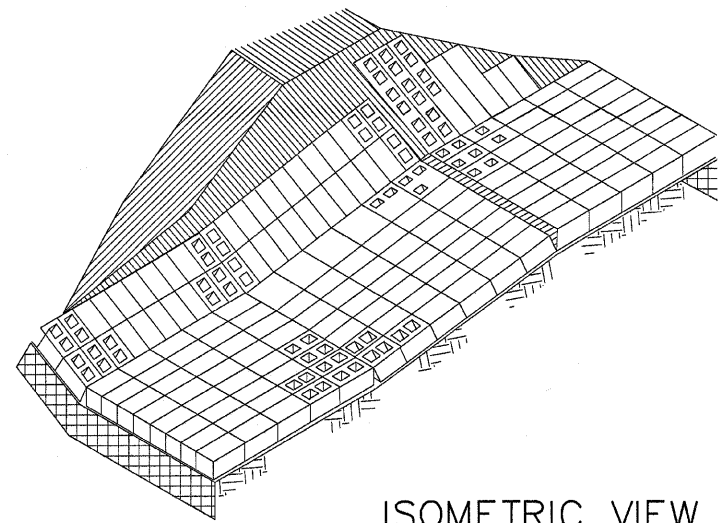


STONE LINED DITCH



SECTION A-A

Scale: 1" = 1'-0"



**ISOMETRIC VIEW
HALF PROFILE**

BILL OF MATERIAL	
ITEM	QUANTITY
Concrete Blocks 8"x8"x16"	660
Geotextile	76 Sq. Yd.
Plastic Cutoff (3' Wide)	32' Lin. Ft.
Cement Grout	

STONE LINED DITCH

This work shall include the concrete blocks, approximately 75' of grading and shaping the ditch, seeding the ditch, covering the ditch with excelsior blanket, geotextile, plastic cutoff, cement grout and anything else needed to construct stone lined ditch.

Area estimated includes the 76 square yards for concrete block section and 75' x 30' for the ditch. Estimated area is 326 SQUARE YARDS.

This work shall be paid for at the contract unit price per square yard for STONE LINED DITCH which price shall include all labor, materials and equipment necessary to complet the work, as per the Resident Engineer.

REVISIED NEW SHEET 10/28/09

FILE NAME =	USER NAME = Fordjd	DESIGNED -	REVISED -	STATE OF ILLINOIS DEPARTMENT OF TRANSPORTATION	STONE LINED DITCH	F.A.P. RTE.	SECTION	COUNTY	TOTAL SHEETS	SHEET NO.
ca\pwwork\pwwork\Fordjd\0158244\IL-ENC-1228.dgn	DRAWN -	REVISED -	638			129 BR	HENRY	42	23D	
PLOT SCALE = 50.0000' / IN.	CHECKED -	REVISED -	CONTRACT NO. 64A04							
PLOT DATE = Mon Oct 26 11:54:03 2009	DATE -	REVISED -	SCALE:			SHEET NO. 2 OF 2 SHEETS	STA. 1362+00	ILLINOIS FED. AID PROJECT		