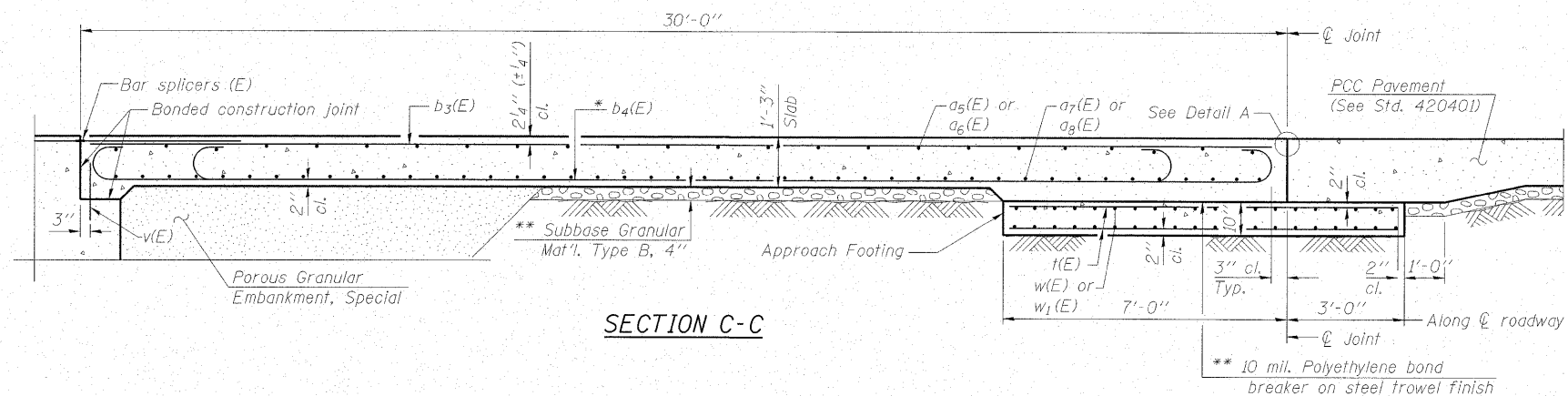


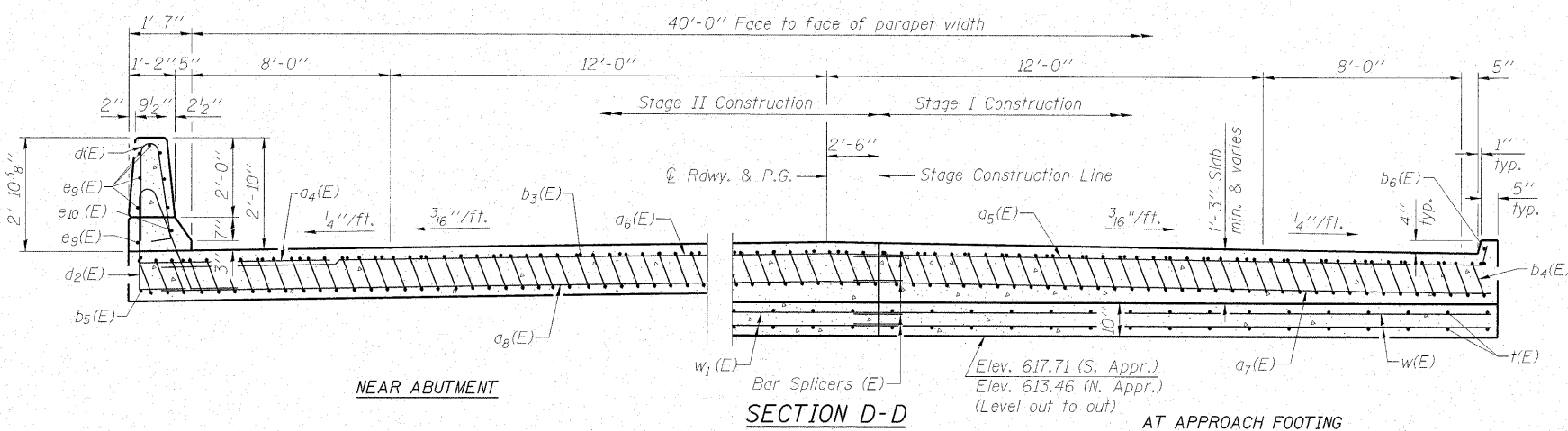
STATE OF ILLINOIS
DEPARTMENT OF TRANSPORTATION

Notes:

See sheet 12 of 24 for Detail A and View B-B.
Approach slab and parapet concrete shall be paid for as Concrete Superstructure.
Approach footing concrete shall be paid for as Concrete Structures.
Reinforcement shall be paid for as Reinforcement Bars, Epoxy Coated.
For v(E) bar details, see sheet 10 of 24.
The approach footing maximum applied service bearing pressure (Q_{max}) = 2.0 ksf.
For bar splicer details, see sheet 21 of 24.
Cost of excavation for approach footing included with Concrete Structures.
For Porous Granular Embankment, Special and drainage treatment details, see sheet 2 of 24.
See sheet 10 of 24 for parapet joint detail at back of abutment.



SECTION C-C



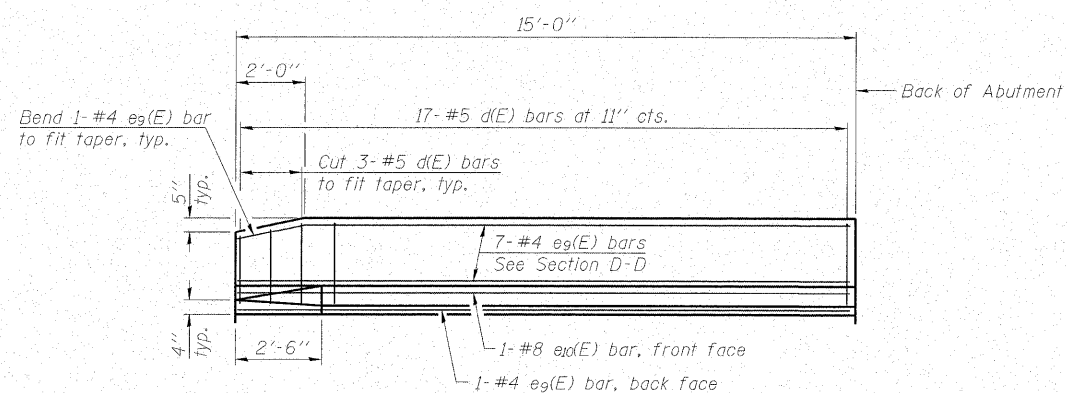
NEAR ABUTMENT

SECTION D-D

(Looking North)

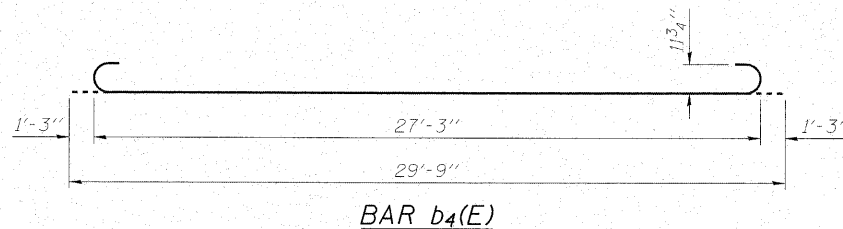
(See Plan for dimensions not shown)

AT APPROACH FOOTING

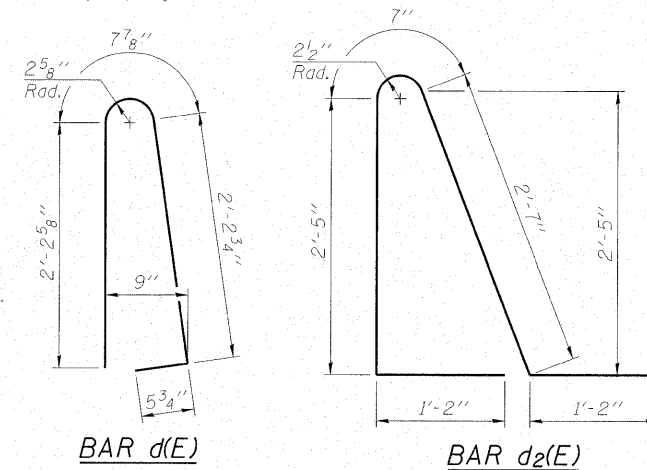


VIEW E-E

BAR a5(E) & a6(E)



BAR b4(E)



BAR d(E)

BAR d2(E)

* Tilt #9 b4(E) bars as required to maintain clearance.

** Cost Included with Concrete Superstructure.

TWO APPROACHES
BILL OF MATERIAL

Bar	No.	Size	Length	Shape
a4(E)	48	#6	6'-0"	
a5(E)	50	#4	18'-5"	
a6(E)	50	#4	23'-5"	
a7(E)	92	#5	18'-1"	
a8(E)	92	#5	23'-1"	
b3(E)	86	#4	29'-8"	
b4(E)	204	#9	29'-9"	
b5(E)	4	#4	14'-8"	
b6(E)	4	#4	14'-8"	
d(E)	68	#5	5'-7"	
d2(E)	68	#5	7'-11"	
e9(E)	32	#4	14'-8"	
e10(E)	4	#8	14'-8"	
t(E)	172	#4	9'-8"	
w(E)	80	#5	18'-1"	
w1(E)	80	#5	23'-1"	
Concrete Superstructure			Cu. Yd.	133.1
Concrete Structures			Cu. Yd.	25.8
Reinforcement Bars, Epoxy Coated			Pound	34170
Form Liner Textured Surface			Sq. Ft.	168

(Sheet 2 of 2)

BRIDGE APPROACH SLAB DETAILS
STRUCTURE NO. 037-0175



DESIGNED - BAS
CHECKED - KEF
DRAWN - SGM
CHECKED - RJA/KEF

SHEET NO. 13 24 SHEETS	F.A.P. RTE.	SECTION	COUNTY	TOTAL SHEETS	SHEET NO.
	638	129 BR-3	HENRY	73	30
CONTRACT NO. 64B08					
FED. ROAD DIST. NO. ILLINOIS FED. AID PROJECT					