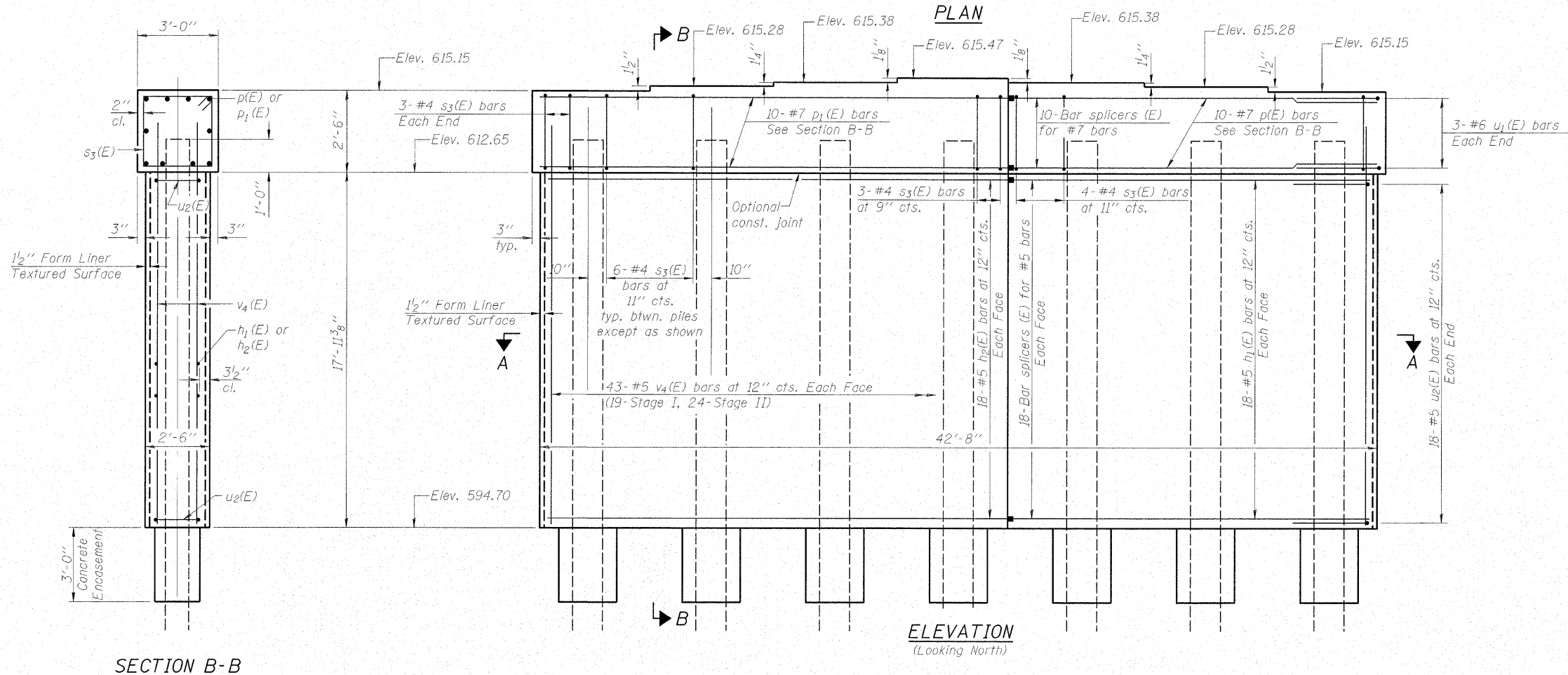
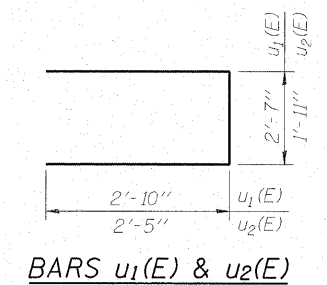
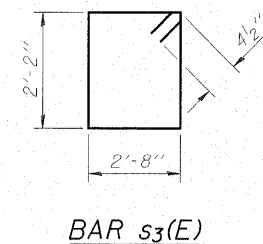
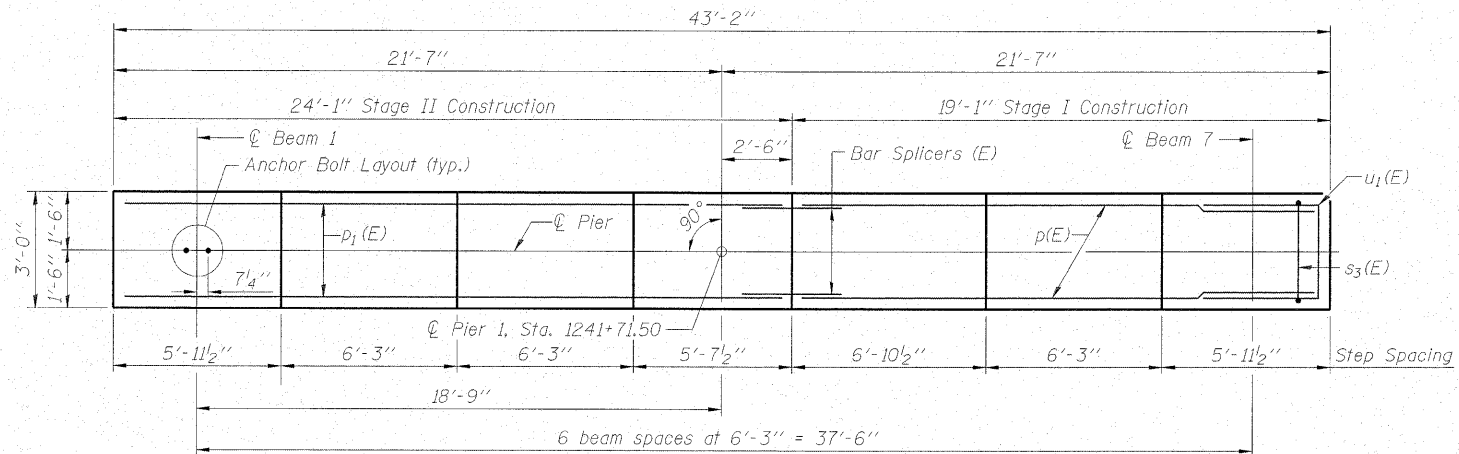


STATE OF ILLINOIS
DEPARTMENT OF TRANSPORTATION

Notes:
Space reinforcement in cap to miss anchor bolts.
Pour steps monolithically with cap.
For details of piles, see sheet 20 of 24.
For details of Bar Splicers, see sheet 21 of 24.
If a portion of the pier wall or concrete encasement is under water, reinforcement may be placed underwater into forms.
Concrete shall be tremied according to Article 503.08 of the Standard Specifications to an elevation of 1'-0" above the water line at the time of the construction.
See sheet 10 of 24 for details of the Form Liner Textured Surface. 2" clearance to reinforcement bars shall be maintained from the form liner.

PILE DATA

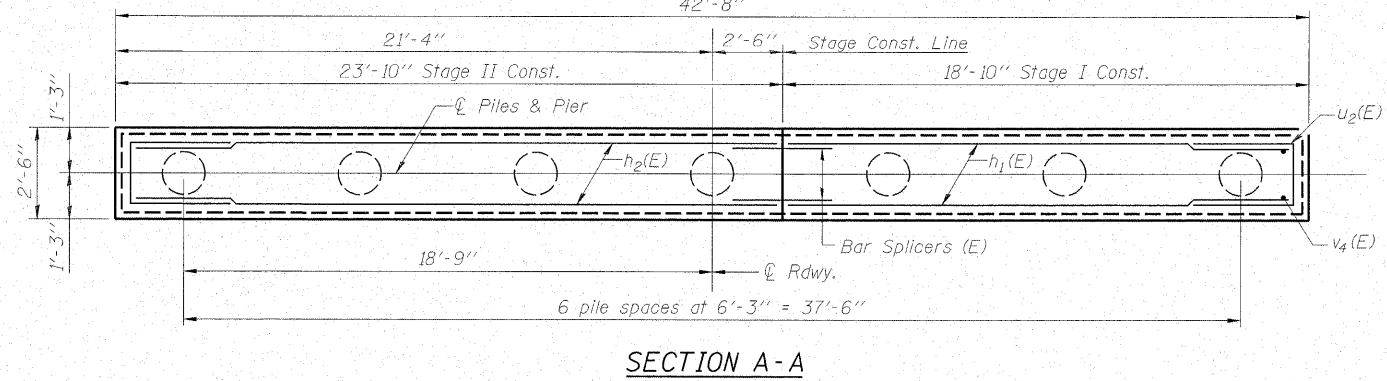
Type: Metal Shell 14 in. dia. x 0.312 in. walls w/ pile shoes
Nominal Required Bearing: 446 kips
Factored Resistance Available: 223 kips
Est. Length: 57 feet
No. Production Piles: 6
No. Test Piles: 1



BILL OF MATERIAL

Bar	No.	Size	Length	Shape
h1(E)	36	#5	18'-5"	—
h2(E)	36	#5	23'-5"	—
p(E)	10	#7	18'-9"	—
p1(E)	10	#7	23'-9"	—
s3(E)	43	#4	10'-5"	□
u1(E)	6	#6	8'-3"	⊓
u2(E)	36	#5	6'-9"	⊓
v4(E)	86	#5	19'-3"	—
Structure Excavation		Cu. Yd.	17	
Concrete Structures		Cu. Yd.	78.4	
Concrete Encasement		Cu. Yd.	3.0	
Reinforcement Bars, Epoxy Coated		Pound	4790	
Furnishing Metal Shell Piles, 14"x0.312"		Foot	342	
Driving Piles		Foot	342	
Test Pile, Metal Shells		Each	1	
Pile Shoes		Each	7	
Anchor Bolts, 1"		Each	14	
Underwater-Structure Excavation Protection, Location 1		Each	1	
Form Liner Textured Surface		Sq. Ft.	1622	

**PIER 1
STRUCTURE NO. 037-0175**



SHEET NO. 18 24 SHEETS	F.A.P. RTE.	SECTION	COUNTY	TOTAL SHEETS	SHEET NO.
	638	129 BR-3	HENRY	73	35
CONTRACT NO. 64B08					
FED. ROAD DIST. NO. [ILLINOIS] FED. AID PROJECT					

MAUREH & STUTZ, INC.
ENGINEERS SURVEYORS

DESIGNED - BAS
CHECKED - KEF
DRAWN - SGM
CHECKED - RJA/KEF