

STATE OF ILLINOIS
DEPARTMENT OF TRANSPORTATION

| | | | | | |
|-----------------------|------------------|------------|-------------------|-----------|--------------------------|
| ROUTE NO. | SECTION | COUNTY | TOTAL SHEETS | SHEET NO. | SHEET NO. 2 32 SHEETS |
| F.A.P. 301 | 21-VBR 21RS-2 | STEPHENSON | 112 | 50 | |
| FED. ROAD DIST. NO. 7 | | ILLINOIS | FED. AID PROJECT- | | |

Contract #64D15

GENERAL NOTES

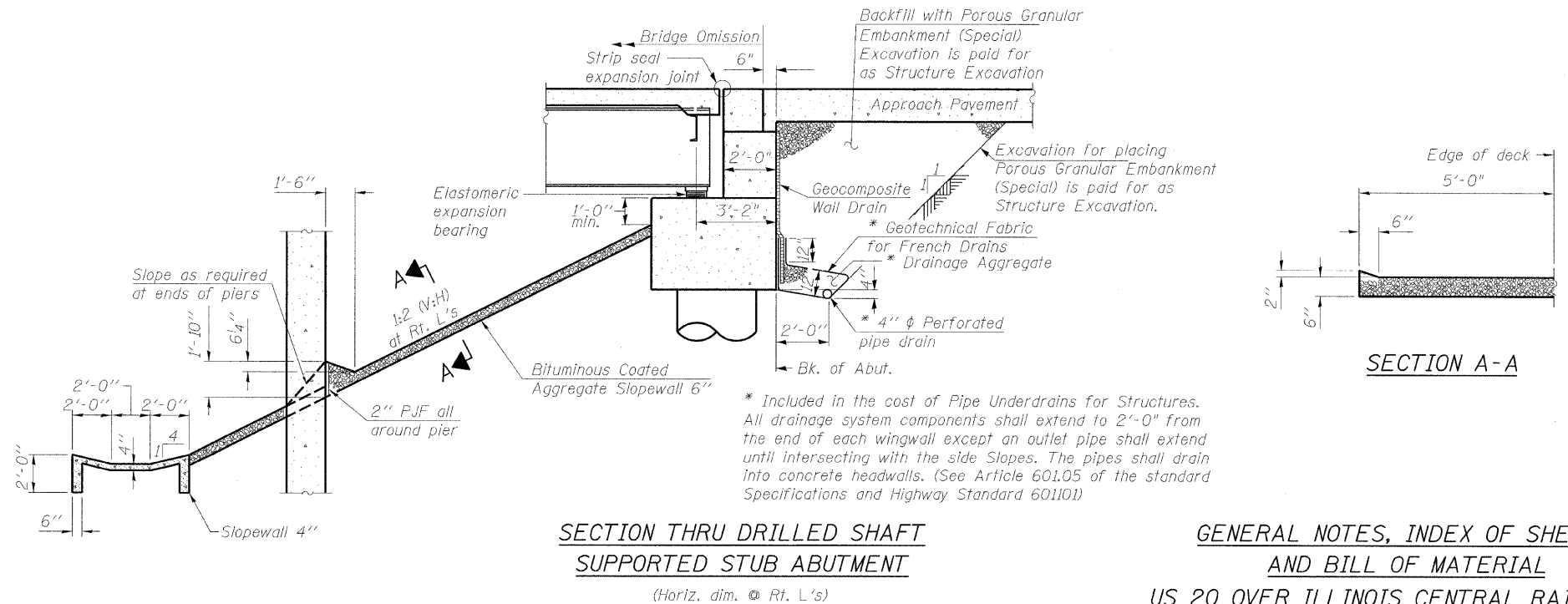
- Fasteners shall be AASHTO M164 Type 1, mechanically galvanized bolts. Bolts $\frac{7}{8}$ -in. ϕ , holes $\frac{15}{16}$ -in. ϕ , unless otherwise noted.
- Calculated weight of Structural Steel:
= 782,600 lb. (AASHTOM270GR50)
= 65,300 lb. (AASHTOM270GR36)
- No field welding is permitted except as specified in the contract documents.
- Reinforcement bars shall conform to the requirements of ASTM A 706 Gr 60. See Special Provisions
- Reinforcement bars designated (E) shall be epoxy coated.
- Bearing seat surfaces shall be constructed or adjusted to their designated elevations within a tolerance of $\frac{1}{8}$ inch (0.01 ft.). Adjustment shall be made either by grinding the surface or by shimming the bearings.
- Concrete Sealer shall be applied to the designated areas of the Abutments.
- The Inorganic Zinc Rich Primer / Acrylic / Acrylic Paint System shall be used for shop and field painting of new structural steel except where otherwise noted. The color of the final finish coat for all interior steel surfaces shall be gray, Munsell No. 10Y 7/1. The color of the final finish coat for the exterior and bottom flange of the fascia beams shall be Blue 10B 3/6. See Special Provision for "Cleaning and Painting New Metal Structures".
- All cross frames or diaphragms shall be installed as steel is erected and secured with erection pins and bolts except as otherwise noted. Individual cross frames or diaphragms at supports may be temporarily disconnected to install bearing anchor rods.
- Load carrying components designated "NTR" shall conform to the Supplemental Requirements for Notch Toughness, Zone 2.
- Two $\frac{1}{8}$ in. adjusting shims shall be provided for each bearing in addition to all other plates or shims and placed as shown on bearing details.
- The Contractor is advised that the existing PPC Deck beams are in a deteriorated condition with reduced load carrying capacity. It is the contractor's responsibility to account for the condition of the beams when developing construction procedures for removal and replacement of the superstructure.
- If the Contractor procedures for existing beam removal involves placement of heavy equipment on the existing deck beams, a detailed procedure shall be submitted to the engineer for approval. The procedure shall include calculations, sealed by an Illinois Licensed Structural Engineer, verifying the structural adequacy of the beams for the proposed loads. Cost included with Removal of Existing Structures.
- If the Contractor chooses to alter the temporary cantilevered sheet piling design requirements shown on the plans, a design submittal including plan details and calculations will be required for review and acceptance by the Engineer.
- The Contractor shall connect the first sheet piling to the existing abutment wall to ensure stability of sheets driven to the top of the existing footing. This connection shall be reviewed and accepted by the Engineer and included in the cost for Temporary Sheet Piling.
- 4" Slope wall shall be reinforced with wire fabric 6" x 6" - W4.0 x W4.0 with a mass of 58 lbs per 100 sq.ft.
- Slipforming of the parapets is not allowed.
- The cost of the slope wall removal included with removal of existing structures.
- The SSPC QP-1 painting contractor certifications will be required for this bridge.

TOTAL BILL OF MATERIAL

| ITEM | UNIT | SUPER | SUB | TOTAL |
|--|---------|---------|--------|---------|
| Removal of Existing Structure | Each | - | - | 1 |
| Structure Excavation | Cu. Yd. | - | 770 | 770 |
| Concrete Structures | Cu. Yd. | - | 899 | 899 |
| Concrete Superstructure | Cu. Yd. | 731.0 | - | 731.0 |
| Bar Splicers | Each | 1,238 | 388 | 1,626 |
| Bridge Deck Grooving | Sq. Yd. | 2,410 | - | 2,410 |
| Protective Coat | Sq. Yd. | 3,160 | - | 3,160 |
| Elastomeric Bearing Assembly, Type I | Each | - | 18 | 18 |
| Elastomeric Bearing Assembly, Type II | Each | - | 9 | 9 |
| Furnishing and Erecting Structural Steel | L. Sum | 1 | - | 1 |
| Stud Shear Connectors | Each | 6,615 | - | 6,615 |
| Reinforcement Bars, Epoxy Coated | Pound | 197,850 | 94,120 | 291,970 |
| Reinforcement Bars | Pound | - | 58,930 | 58,930 |
| Bituminous Coated Aggregate Slope Wall, 6" | Sq. Yd. | - | 3,000 | 3,000 |
| Slope Wall, 4" | Sq. Yd. | - | 100 | 100 |
| Temporary Sheet Piling | Sq. Ft. | - | 3,000 | 3,000 |
| Name Plates | Each | - | 1 | 1 |
| Porous Granular Embankment (Special) | Cu. Yd. | - | 420 | 420 |
| Pipe Underdrains for Structures, 4" | Foot | - | 170 | 170 |
| Geocomposite Wall Drain | Sq. Yd. | - | 150 | 150 |
| Proformed Joint Strip Seal | Foot | 144 | - | 144 |
| Concrete Sealer | Sq. Ft. | - | 2,200 | 2,200 |
| Anchor Bolts, 1 1/4" | Each | - | 36 | 36 |
| Anchor Bolts, 1 1/2" | Each | - | 18 | 18 |
| Anchor Bolts, 2" | Each | - | 18 | 18 |
| Drainage Scupper, DS-II | Each | 4 | - | 4 |
| Drilled Shaft in Soil | Cu. Yd. | - | 216.3 | 216.3 |
| Drilled Shaft in Rock | Cu. Yd. | - | 71.6 | 71.6 |

INDEX OF SHEETS

- General Plan and Elevation
- General Notes, Index of Drawing & Bill of Material
- Stage Construction Plan
- Substructure Layout Plan
- Top of Deck Elevations Layout & Details
- Top of Deck Elevations
- Top of Deck Elevations
- Top of Deck Elevations
- Top of Deck Elevations
- Deck Plan
- Deck Section and Details
- Top of West Approach Slab Elevations
- Top of West Approach Slab Elevations
- Bridge Approach Slab Details - Sheet 1
- Bridge Approach Slab Details - Sheet 2
- Bridge Joint System Expansion (Strip Seal)
- Steel Framing Plan
- Structural Steel Details - Sheet 1
- Structural Steel Details - Sheet 2
- Bearing Details - Sheet 1
- Bearing Details - Sheet 2
- West Abutment
- East Abutment
- Abutment Details
- Pier 1
- Pier 2
- Drainage Scupper, DS-II
- Bar Splicer Assembly Details
- Temporary Concrete Barrier
- Soil Borings - Sheet 1
- Soil Borings - Sheet 2
- Soil Borings - Sheet 3



| | |
|----------|---------|
| DESIGNED | MMH |
| CHECKED | CEN |
| DRAWN | R.VEJAR |
| CHECKED | CEN |

GENERAL NOTES, INDEX OF SHEETS
AND BILL OF MATERIAL
US 20 OVER ILLINOIS CENTRAL RAILROAD
F.A.P. RTE. 301 - SEC. 21-VBR & 21RS-2
STEPHENSON COUNTY
STATION 569+56.19
STRUCTURE NO. 089-0077

HOH HARRY O. HEFTER ASSOCIATES, INC.
DESIGN AND CONSULTING ENGINEERS
55 East Jackson Blvd.
Suite 600
Chicago, IL 60604
312-246-2131
PROJECT NUMBER
2945

8/15/2009 8:55:39 AM H:\ProJec\152945\06NS\Structural\CCPRRUS20 OVER ICR_PREFINAL_DWG\10096-64D50-002-GENNOTES\INDEX&BOM.dgn