

8/20/13 AM

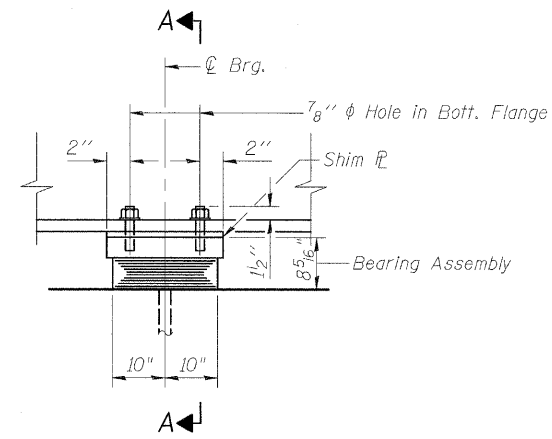
8/6/2009

H:\ProJec1s\2945\Structural\NCP\RR\US20 OVER ICR PREFINAL DWG\510100096-64D50-021-BEARINGDET AILSSHT 2.dgn

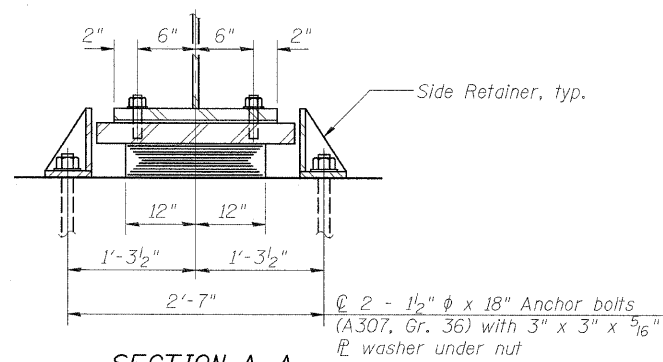
STATE OF ILLINOIS
DEPARTMENT OF TRANSPORTATION

ROUTE NO. F.A.P. 301	SECTION 21-VBR 21RS-2	COUNTY STEPHENSON	SHEET 112	SHEET NO. 69	SHEET NO. 21 32 SHEETS
FED. ROAD DIST. NO. 7		ILLINOIS	FED. AID PROJECT		

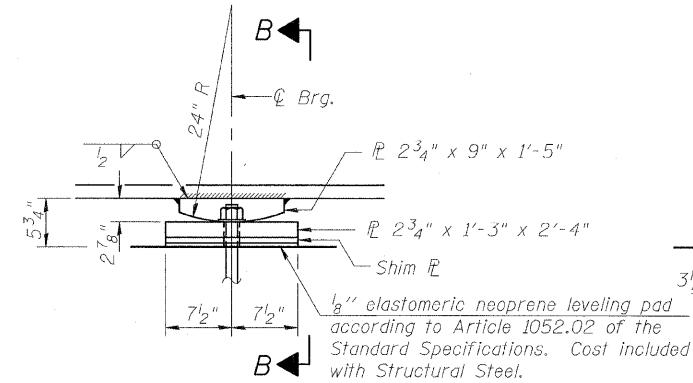
Contract #64D15



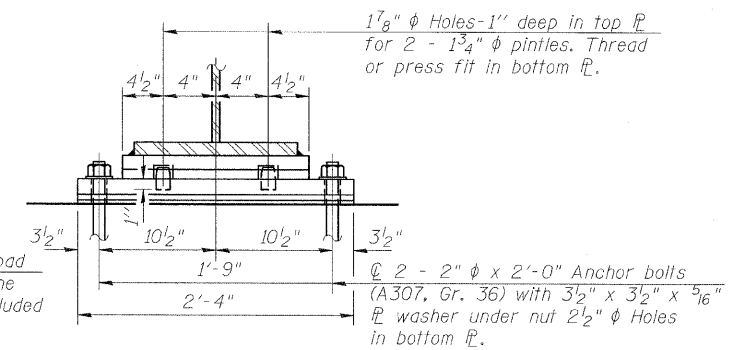
ELEVATION AT PIER 2



SECTION A-A



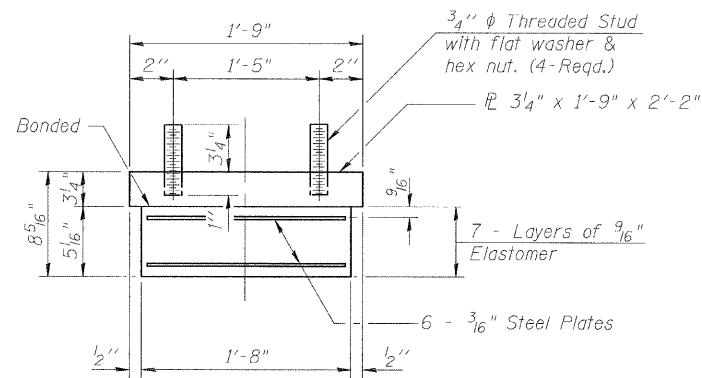
ELEVATION AT PIER 1



SECTION B-B

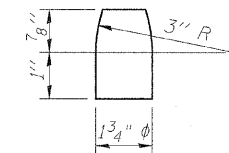
TYPE I ELASTOMERIC EXP. BRG.

FIXED BEARING



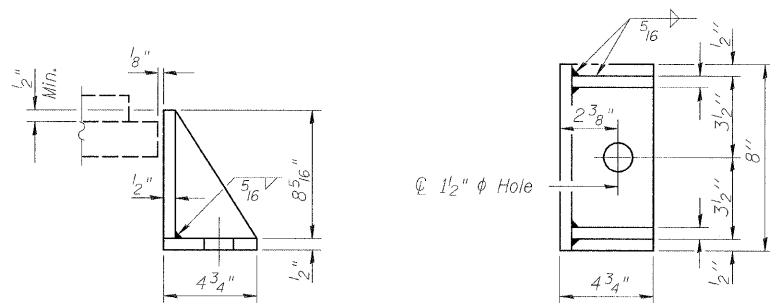
BEARING ASSEMBLY

Note:
For notes see sheet 20 of 32.



PINTLE

Note:
Shim plates shall not be placed
under Bearing Assembly.



SIDE RETAINER

Equivalent rolled angle with stiffeners
will be allowed in lieu of welded plates.

DESIGNED	MMH
CHECKED	CEN
DRAWN	R.VEJAR
CHECKED	CEN

I-2E-1

5-16-08

BEARING DETAILS SHEET 2
 US 20 OVER ILLINOIS CENTRAL RAILROAD
 F.A.P. RTE. 301 - SEC. 21-VBR & 21RS-2
 STEPHENSON COUNTY
 STATION 569+56.19
 STRUCTURE NO. 089-0077

HOH HARRY O. HEFTER-ASSOCIATES, INC.
 DESIGN AND CONSULTING ENGINEERS
 55 East Jackson Blvd.
 Suite 909
 Chicago, IL 60604
 312-246-8131

PROJECT NUMBER
2945