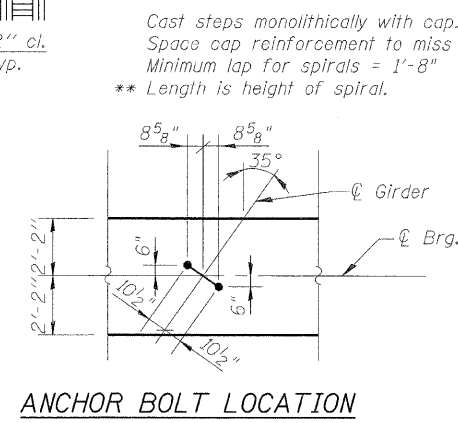


DESIGNED	MMH
CHECKED	CEN
DRAWN	R.VEJAR
CHECKED	CEN

NOTE:
Drilled Shafts are designed for allowable end bearing pressure of 30 tsf on rock.
For bearing seat elevations see sheet 23 of 32.



* The quantities and detailing are based on the estimated elevations shown on the plans. The actual elevations may differ at each shaft and corresponding adjustments shall be made to the drilled shaft and reinforcement quantities and payment limits.

LEGEND:
N.F. = Near Face
F.F. = Far Face
E.F. = Each Face

**PIER 1
STRUCTURE NO.
US 20 OVER ILLINOIS CENTRAL RAILROAD
F.A.P. RTE. 301 - SEC. 21-VBR & 21RS-2
STEPHENSON COUNTY
STATION 569+56.19
STRUCTURE NO. 089-0077**