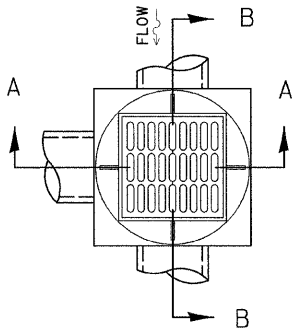
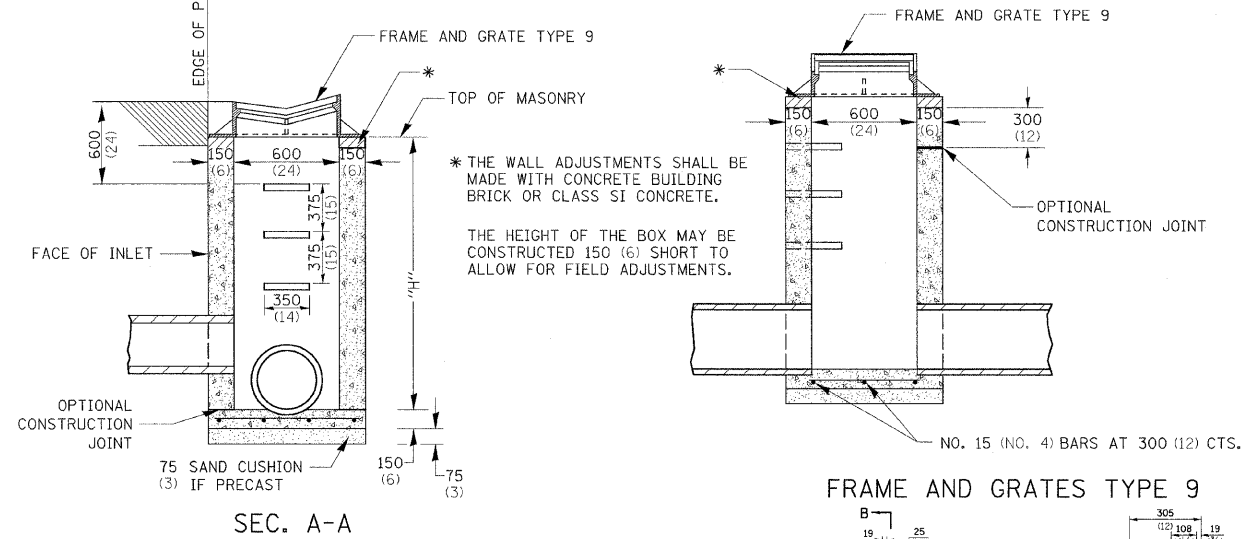


# INLET SPECIAL (TYPE A GUTTER)



**NOTES**

SEE STANDARD 602701 FOR DETAILS OF STEPS.

EXCEPT AS NOTED HEREON INLET SPECIAL SHALL BE CONSTRUCTED IN ACCORDANCE WITH SECTION 602 OF THE STANDARD SPECIFICATIONS.

THE SIDE WALLS MAY BE BUILT AS PRECAST SEGMENTED SECTIONS.

ALL VOIDS AROUND PIPE ENTRANCE, BOTH INSIDE AND OUTSIDE, SHALL BE SEALED WITH MORTAR.

WEIGHT OF CAST IRON FRAME & GRATE = 200kg (440 LBS.)

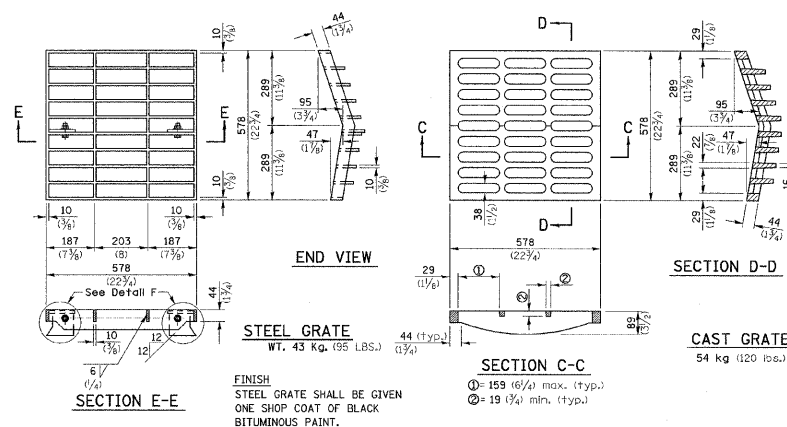
STEPS SHALL BE OMITTED WHEN DEPTH OF "H" IS LESS THAN 1524 (60).

## DETAIL OF FRAME & GRATE

**NOTES**

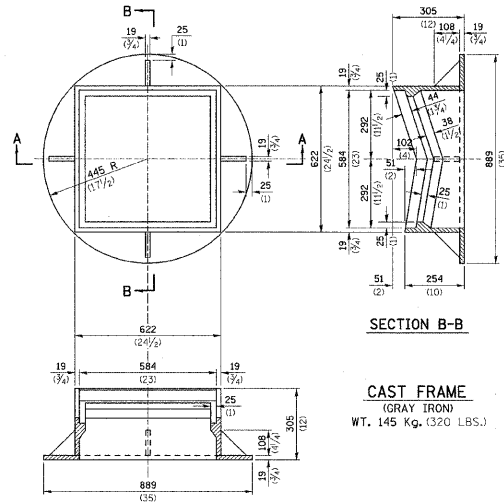
CLASS SI CONCRETE OR PRECAST CONCRETE SHALL BE USED THROUGHOUT. PRECAST CONCRETE SHALL BE IN ACCORDANCE WITH SECTION 504.01 THRU 504.05 OF THE STANDARD SPECIFICATIONS EXCEPT THAT CONCRETE STRENGTH SHALL BE 27.5 MPa (4,000 PSI) AFTER 28 DAYS.

THE CONTRACT UNIT PRICE EACH FOR INLET SPECIAL SHALL INCLUDE THE COST OF CONSTRUCTING THE INLET BOX, FURNISHING AND INSTALLING THE FRAME AND GRATE, THE CAST IRON STEPS (IF USED), THE PRECAST FLOOR SLAB, SAND CUSHION (WHEN USED) AND REINFORCEMENT BARS.

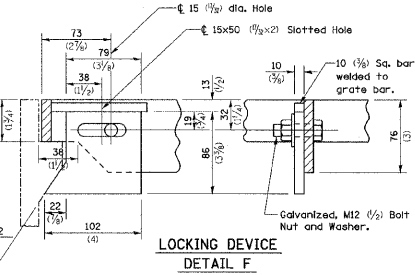


REVISED - 1-27-00

### FRAME AND GRATES TYPE 9



### SECTION A-A



### GENERAL NOTES

THE MATERIAL FOR STEEL GRATE SHALL CONFORM TO ARTICLE 1006.04 OF THE STANDARD SPECIFICATIONS.

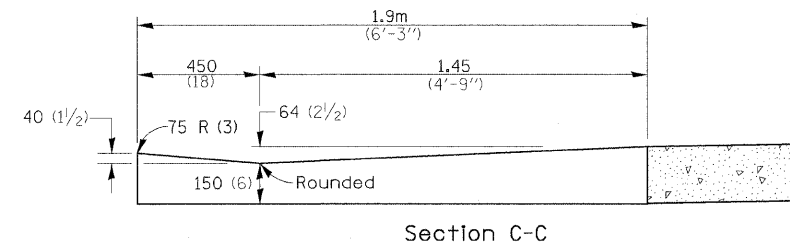
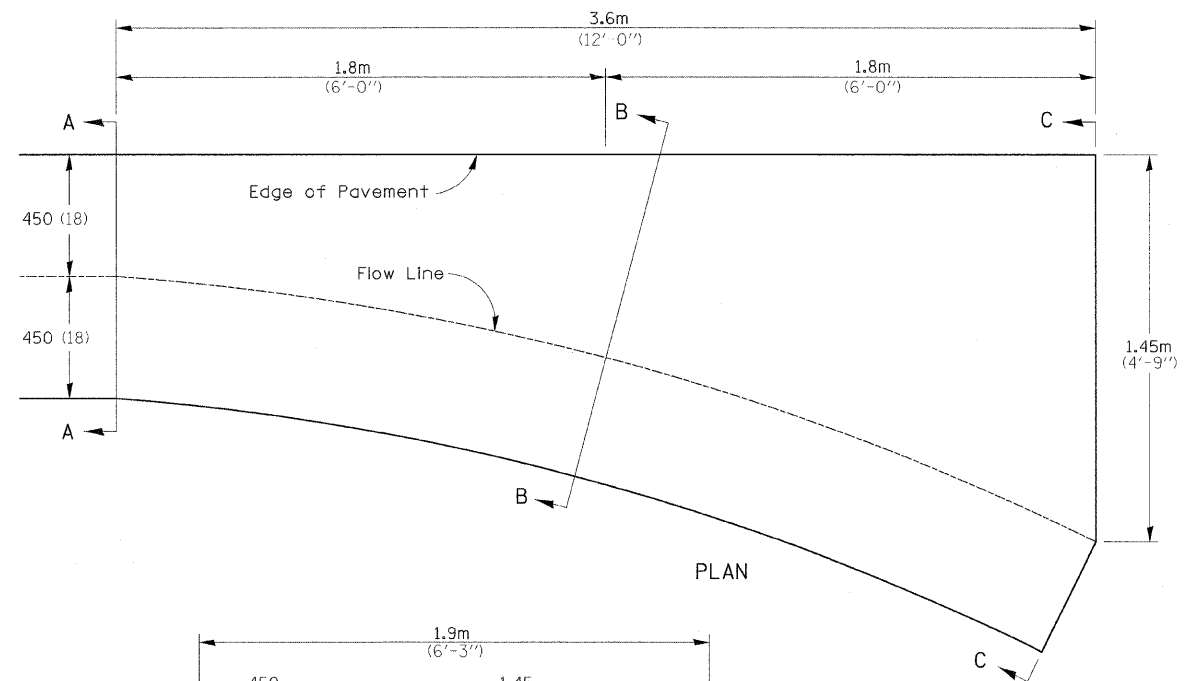
THE USE OF EITHER A CAST GRATE OR A STEEL GRATE WITH THE CAST FRAME SHALL BE THE OPTION OF THE CONTRACTOR.

THE CAST GRATE MAY BE MADE OF EITHER GRAY IRON OR DUCTILE IRON CONFORMING TO THE STANDARD SPECIFICATIONS. DUCTILE IRON CASTING SHALL BE GRADE 65-45-12

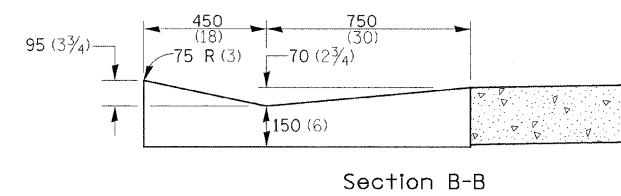
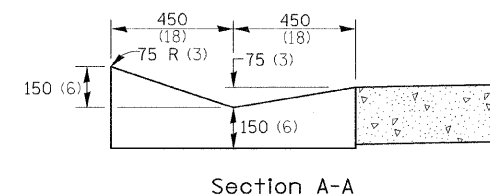
ALL DIMENSIONS ARE IN MILLIMETERS (INCHES) UNLESS OTHERWISE NOTED.

## INLET SPECIAL (TYPE A GUTTER) 11.2

# STANDARD INLET FOR TYPE A GUTTER (MODIFIED)



- QUANTITY -  
Section A-A to C-C  
0.92 m<sup>3</sup> (1.2 Cu. Yds.)  
Class SI Concrete



Class SI Concrete shall be used throughout. The gutter inlet will be paid for at the contract unit price per cubic yard for Class SI Concrete (OUTLETS)

ALL DIMENSIONS ARE IN MILLIMETERS (INCHES) UNLESS OTHERWISE NOTED.

REVISED - 5-4-94

## STANDARD INLET FOR TYPE A GUTTER (MODIFIED) 20.2

REVISED -	REGION 2 / DISTRICT 2 STANDARD	F.A. RTE.	SECTION	COUNTY	TOTAL SHEETS	SHEET NO.
REVISED -					112	83
REVISED -		SCALE: 1:0000 1" = 100'	SHEET NO. OF SHEETS STA. TO STA.		CONTRACT NO.	
REVISED -		FED. ROAD DIST. NO. ILLINOIS FED. AID PROJECT				

PLOT DATE = 8/6/2009